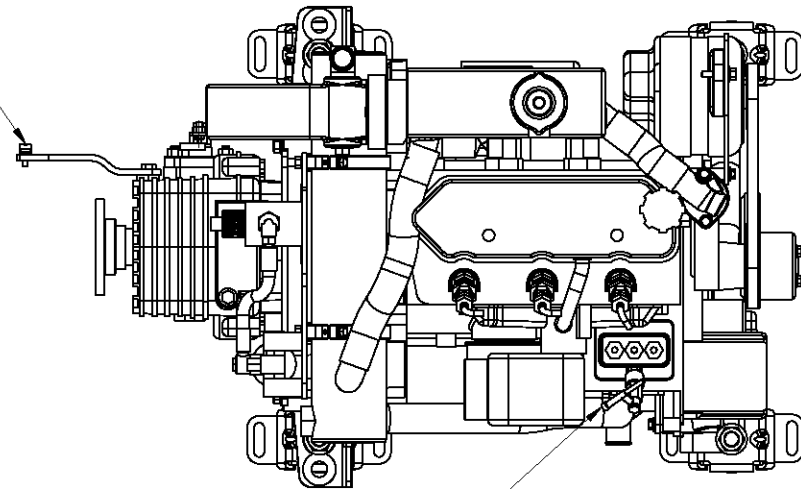


ECO NO.	DATE	REV.	REVISION RECORD	AUTH.	DR. BY
5361	9-6-02	A	UPDATE ASM TO REFLECT CURRENT BOM		BM
5426	12-12-02	B	ADDED PART #48076 TO ASSEMBLY		BM
5683	3-1-04	C	CHANGE ALT. FROM .30594 TO 49245		GA

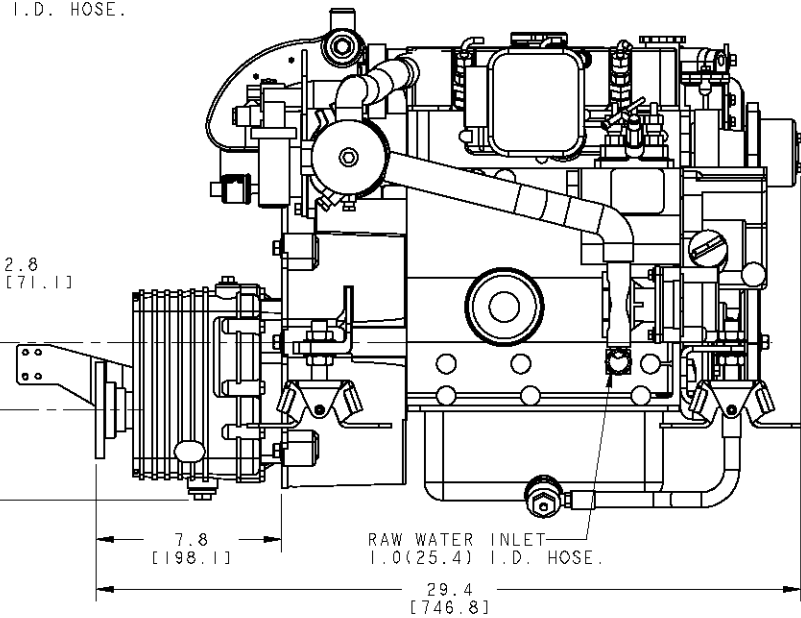
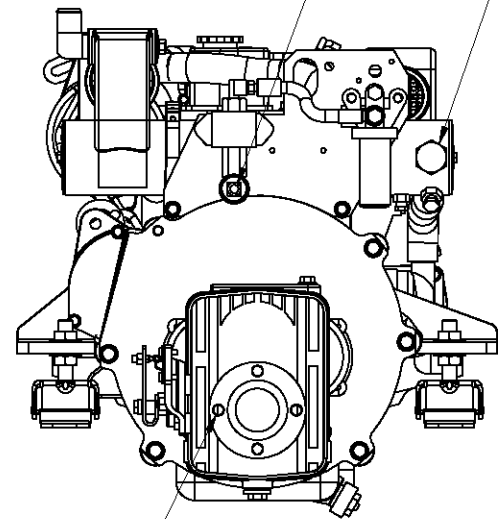
CLAMP FOR 33C CABLE OR EQUIVALENT



FUEL INLET CONNECTION
1/8-27NPT. (FEMALE)

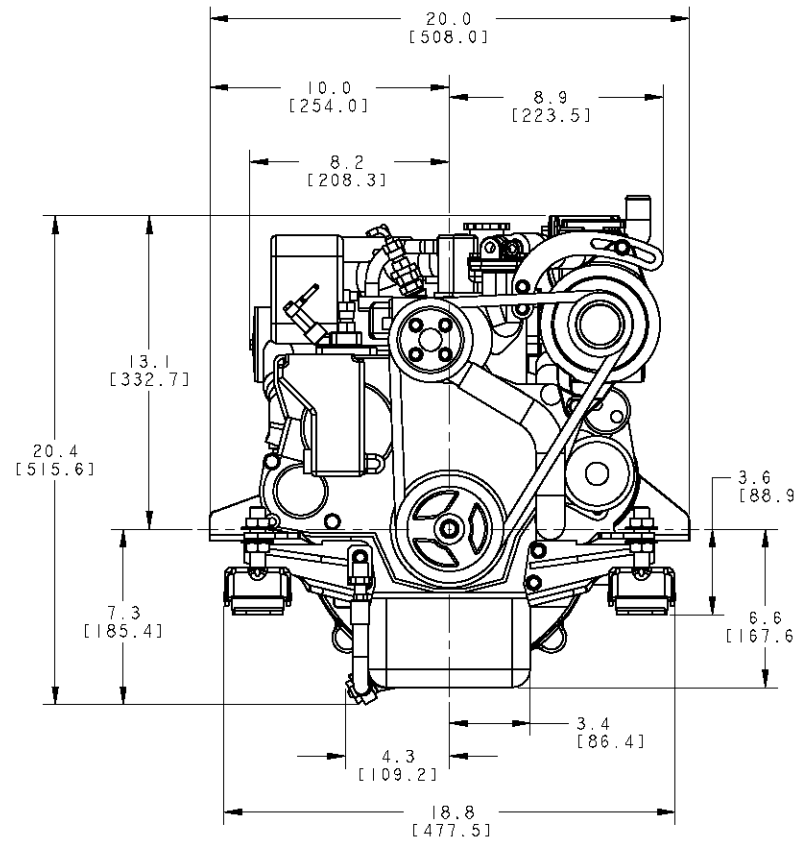
SPECIAL FUEL RETURN
CONNECTION SUPPLIED
1/4 INCH-HOSE-MALE BARB.

RAW WATER DISCHARGE
1.0(25.4) I.D. HOSE.



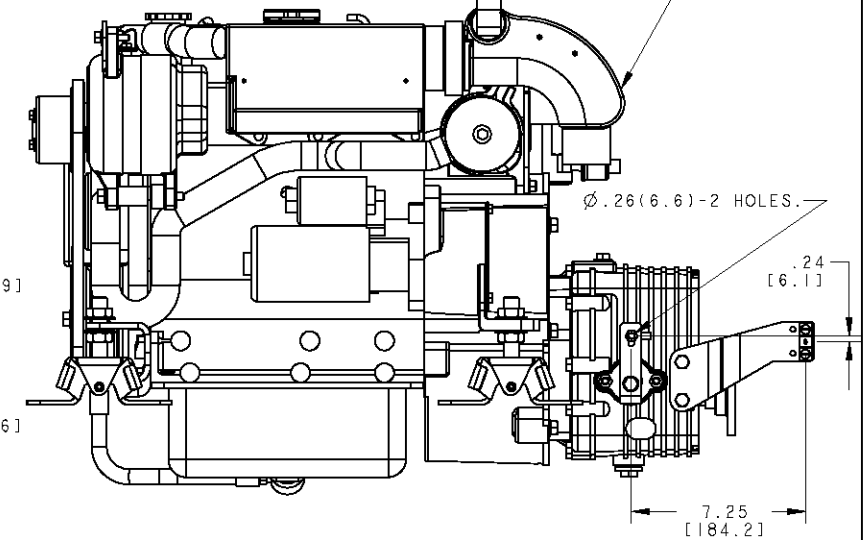
Ø.413(10.5)THRU (4)HOLES EQUALLY
SPACED ON A Ø3.25" (Ø82.5)B.C.

RAW WATER INLET
1.0(25.4) I.D. HOSE.

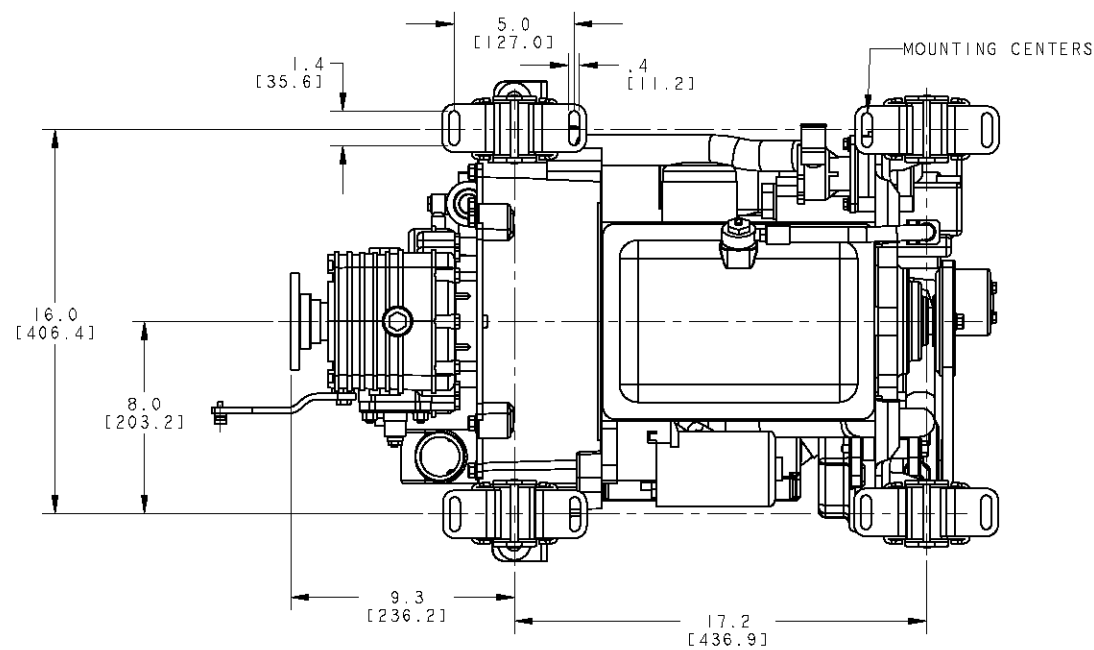


WATER INJECTION FITTING
LOCATED ON EITHER SIDE
1.0(25.4) I.D. HOSE

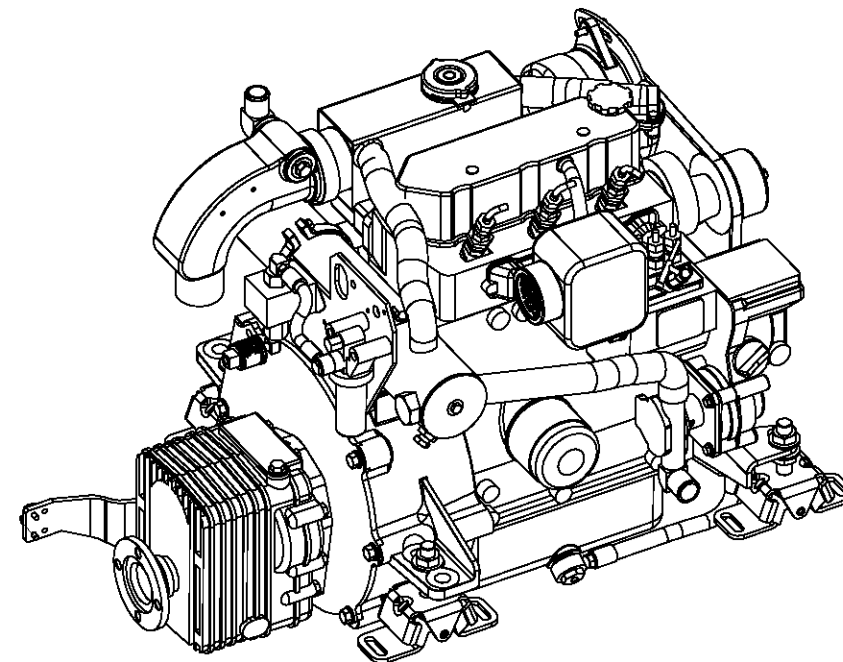
EXHAUST OUTLET(OPTIONAL)
2.0(50.8) I.D. HOSE.



Ø.26(6.6)-2 HOLES.



MOUNTING CENTERS



TOLERANCES (UNLESS OTHERWISE NOTED)		WESTERBEKE CORPORATION TAUNTON MA. 02780	
INCHES	MILLIMETERS	TITLE	
.XX : .02	X. :	INSTALLATION DRAWING	
.XXX : .005	.X :	30B WITH PRM80 TRANSMISSION.	
CAST : .03	.XX :	DRAWN BY	DATE
FINISH : S		BROKUS SKRABULIS	09/JUL/01
DIMENSIONS		APPROVED BY	MATERIAL:
INCHES		DATE	
MILLIMETERS		SCALE 0.250	SIZE
(WHEN APPLICABLE)		SHT. 1 OF 1	DRAWING NUMBER
		D	46484
			REV. C