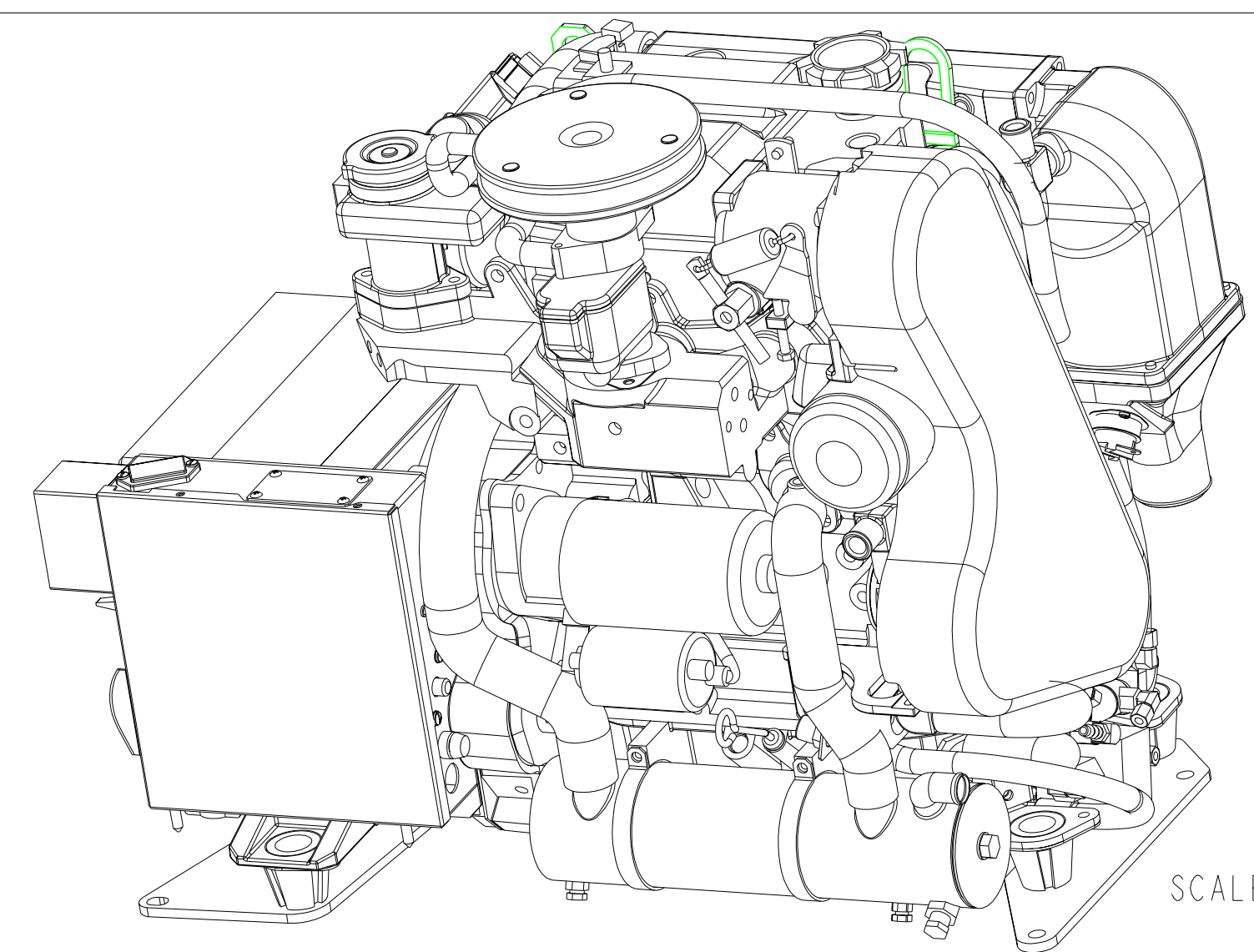
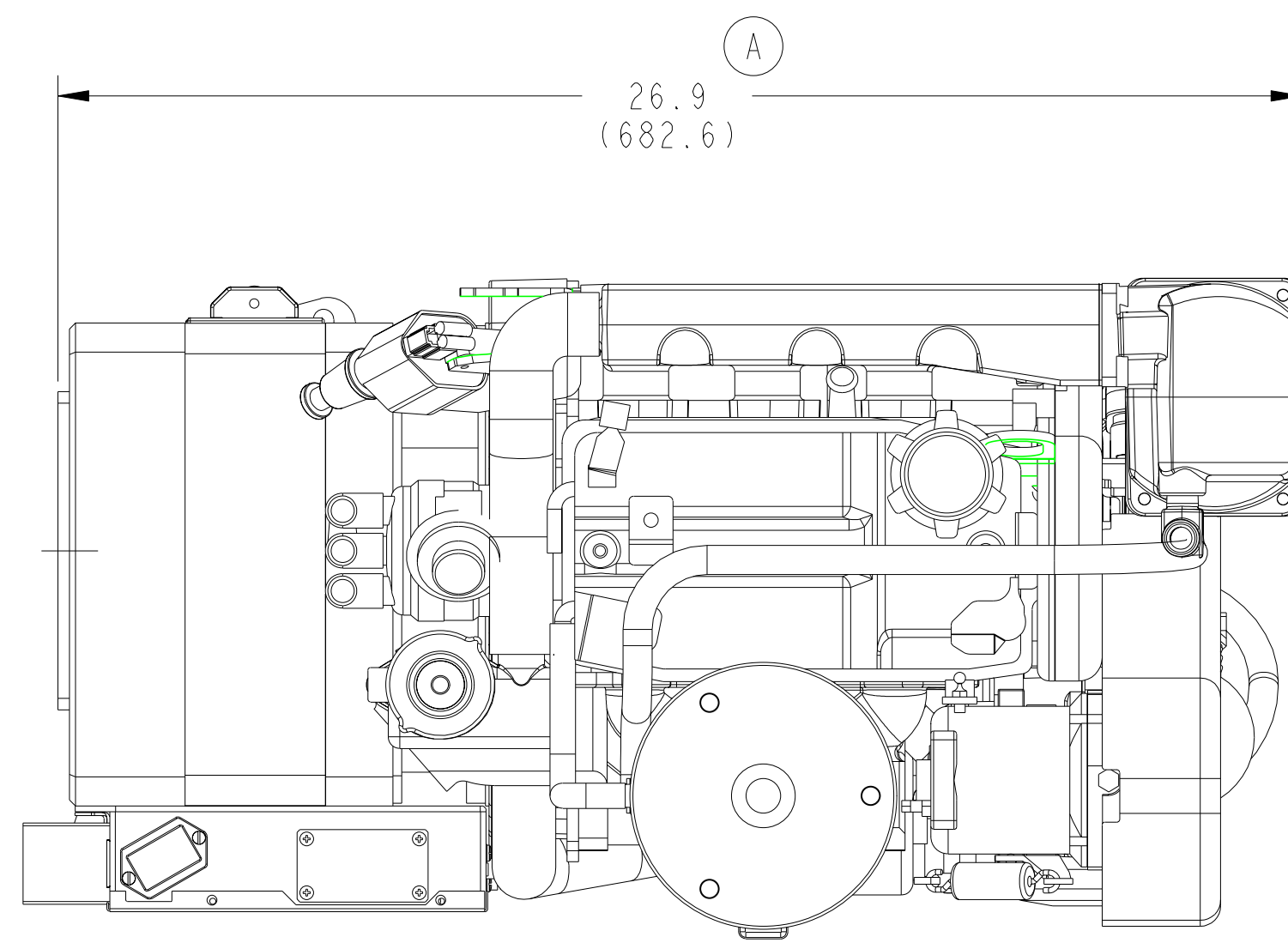
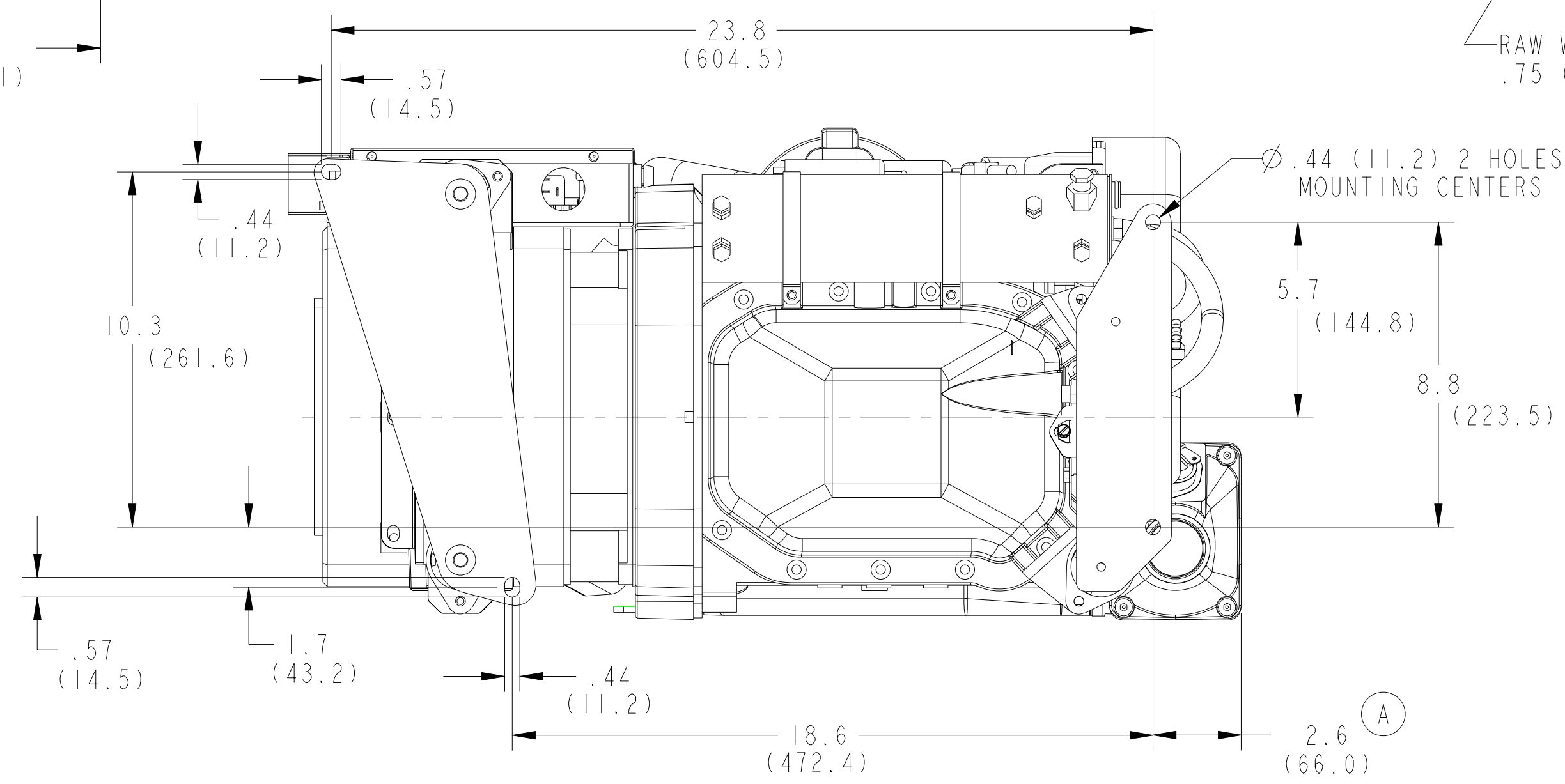
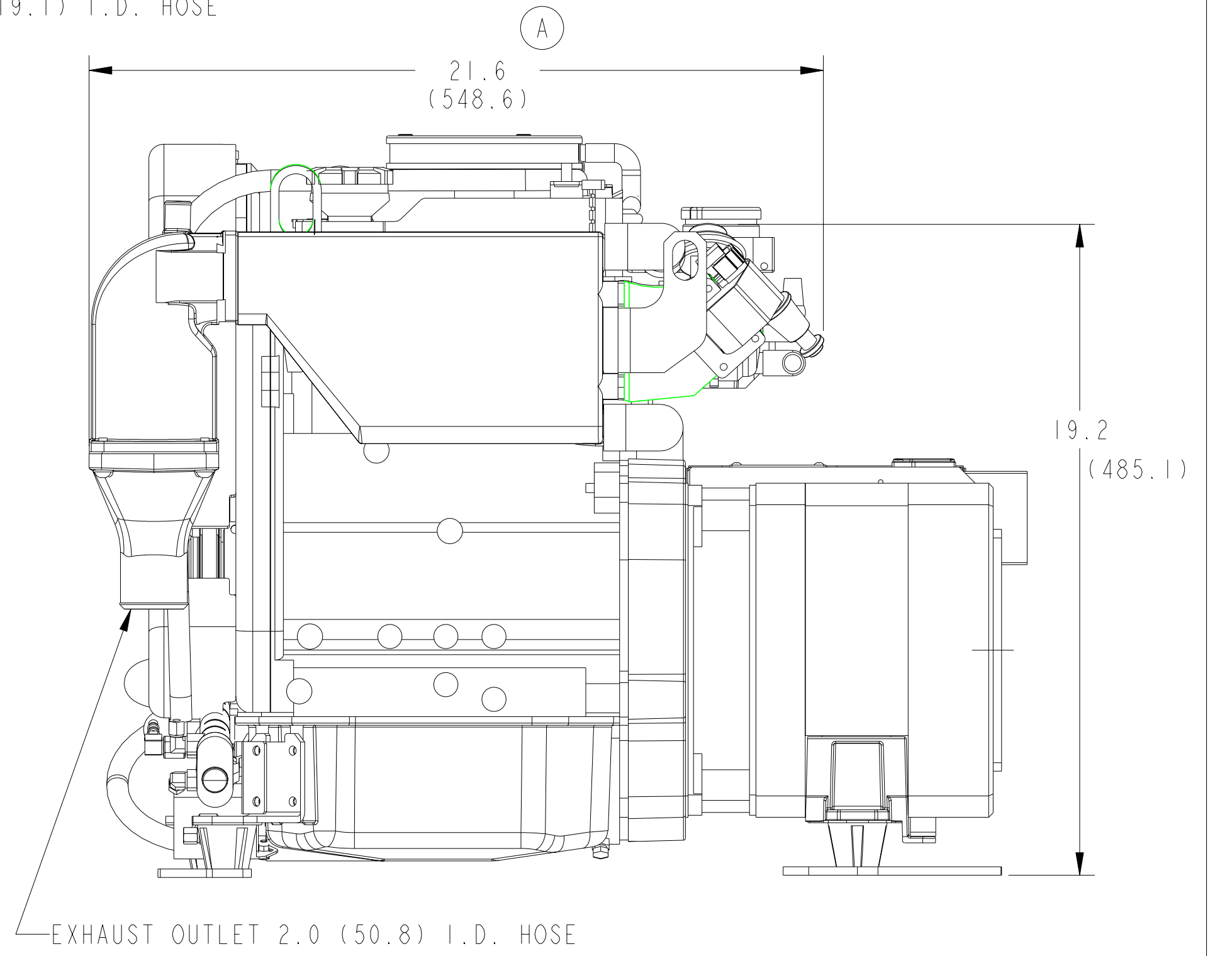
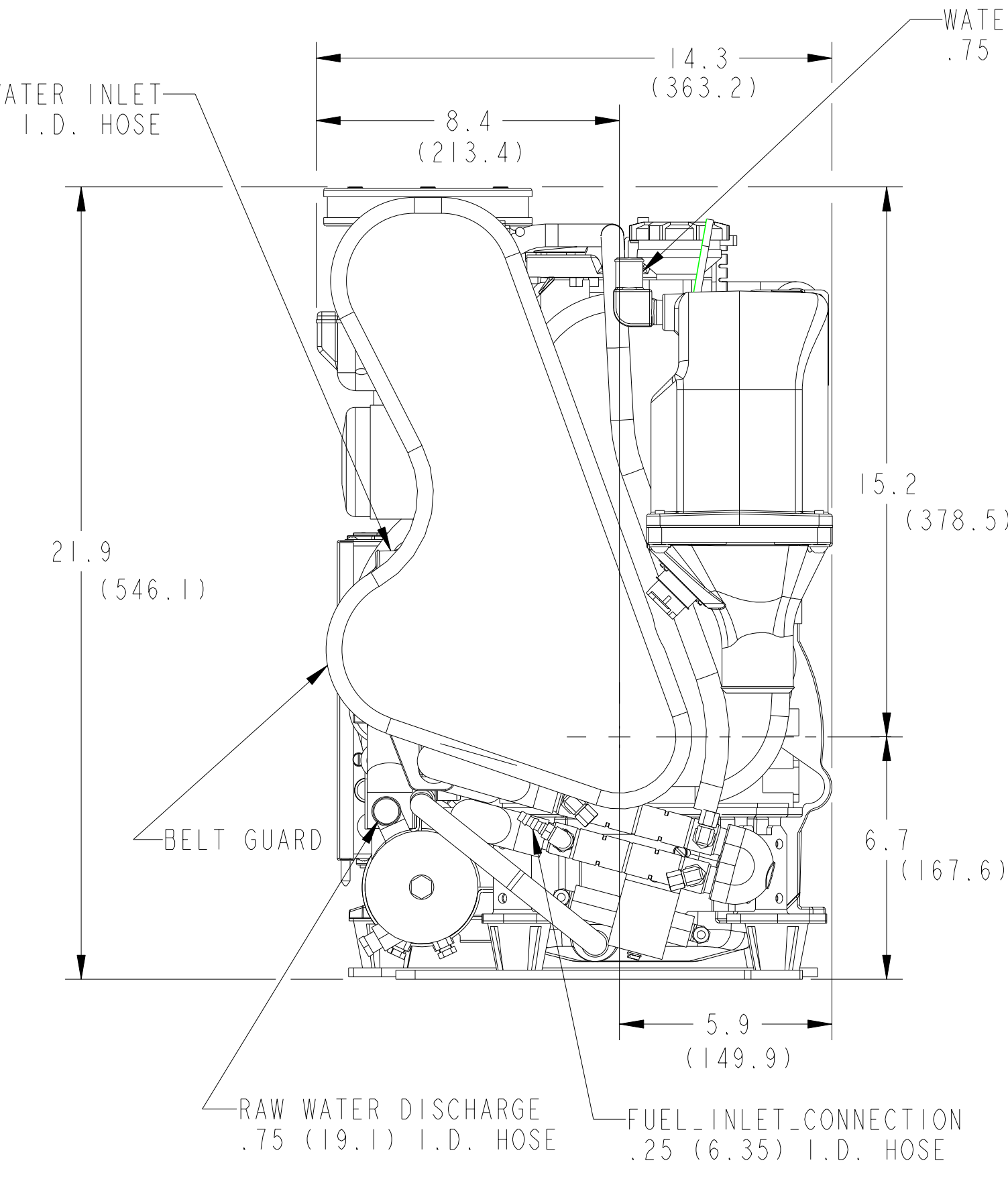
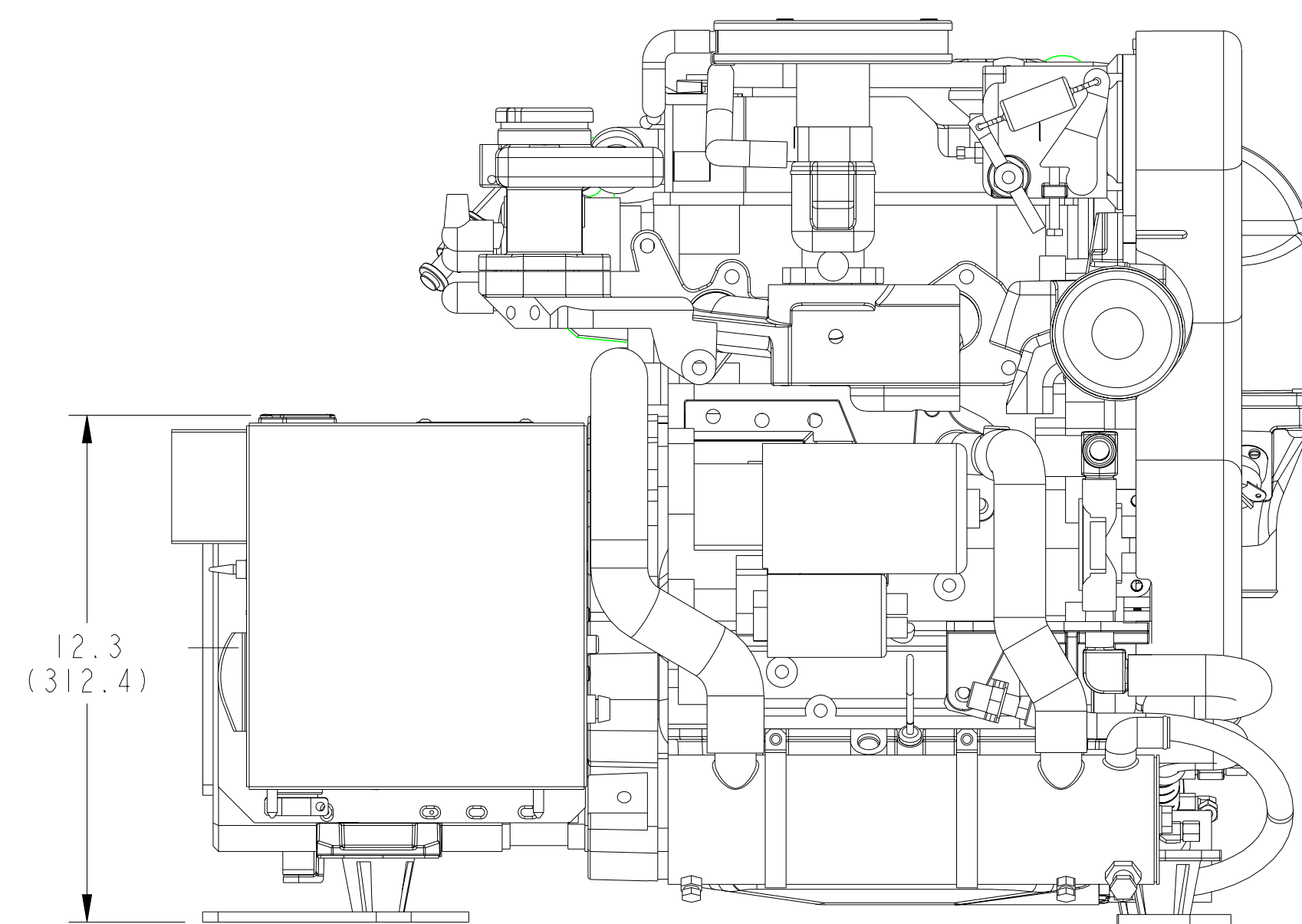
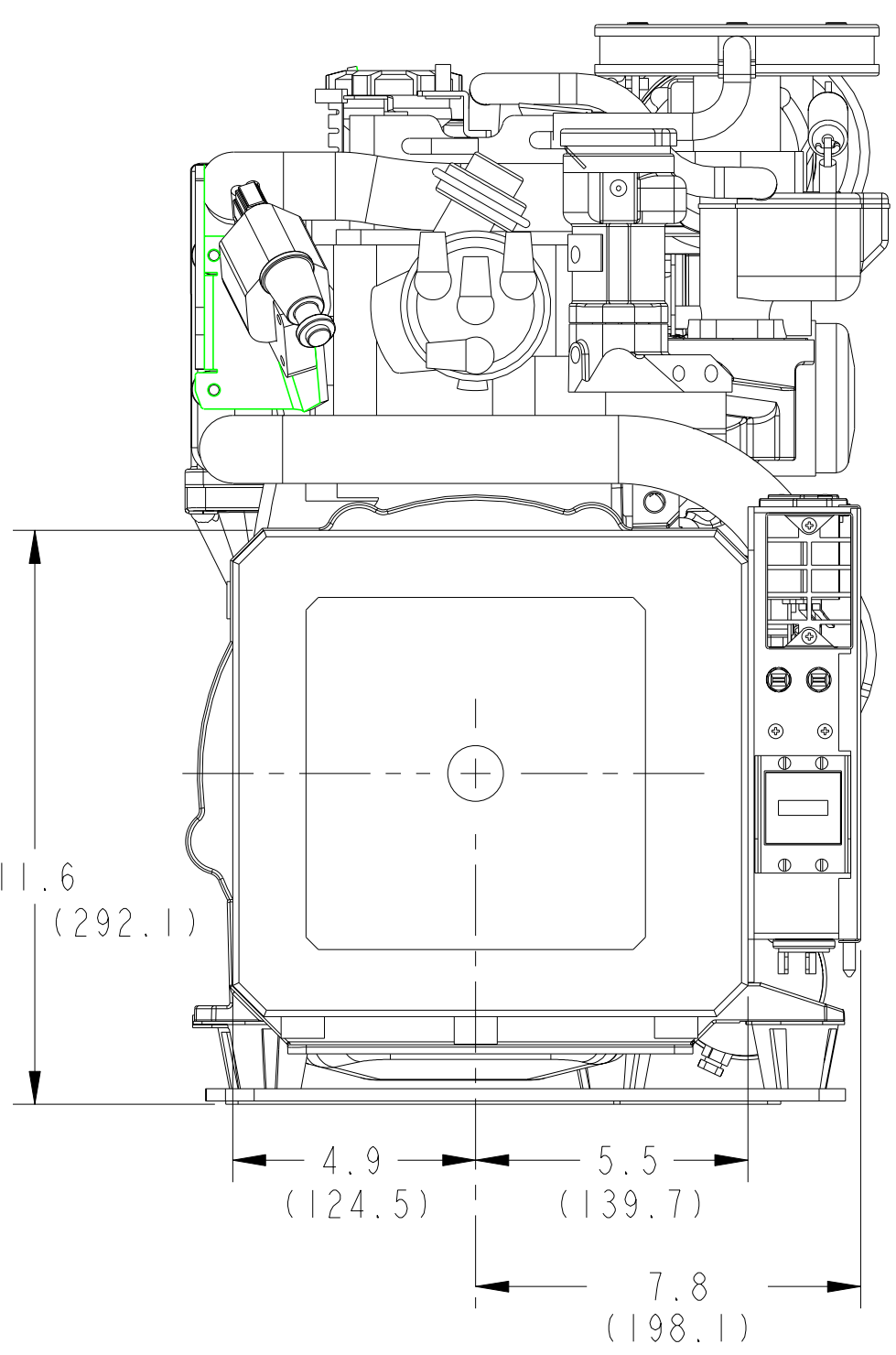


ECO NO.	DATE	REV.	REVISION RECORD		AUTH.	DR. BY
			NO.	DESCRIPTION		
5172	1-11-02	A	26.9 DIM WAS 25.6; 2.6 DIM WAS 1.3;	21.6 DIM WAS 20.1		WRM



SCALE 0.250



TOLERANCES (UNLESS OTHERWISE NOTED)		WESTERBEKE CORPORATION TAUNTON, MA. 02780	
INCHES	MILLIMETERS	TITLE	MATERIAL:
.XX : .02	X. ± 1.0	INSTALLATION DRAWING	---
.XXX : .005	.X ± .5	4.5 BCGTC	---
CAST : .03	.XX ± .13	DRAWN BY JM	DATE 2-4-98
ANGLES : .5°		APPROVED BY	DATE
FINISH		SCALE 0.281	SIZE DRAWING NUMBER
		SHT. 1 OF 1	D 43321
			REV. A