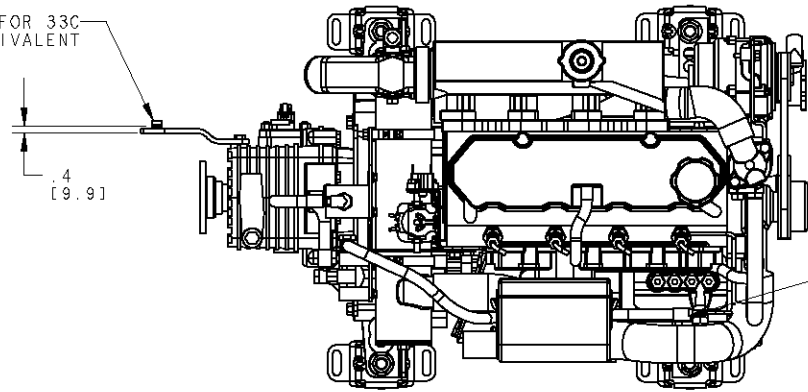


CLAMP FOR 33C  
CABLE OR EQUIVALENT

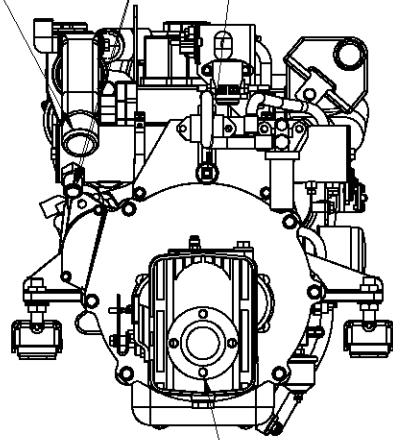


FUEL RETURN CONNECTION  
1/4 HOSE BARB (MALE)

EXHAUST OUTLET (OPTIONAL 90°)  
ELBOW 2.0 [50.8] I.D. HOSE

RAW WATER DISCHARGE  
1.0 [25.4] I.D. HOSE

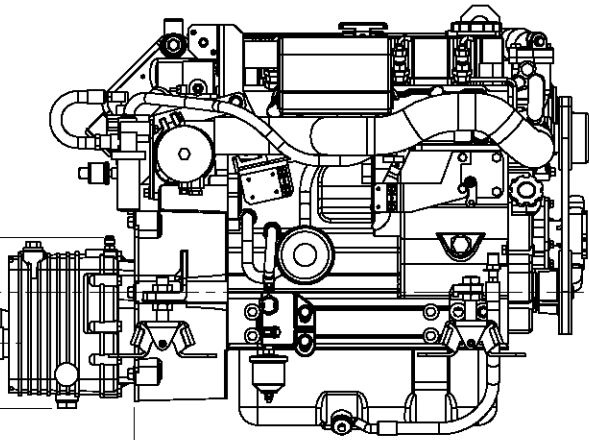
FUEL INLET CONNECTION  
1/8-27 NPT (FEMALE)



Ø.413 THRU (4) HOLES  
[10.49]  
EQUALLY SPACED ON A  
3.25 [82.5] Ø B.C.

9.5 [242.2]  
6.5 [164]  
3.6 [91.9]

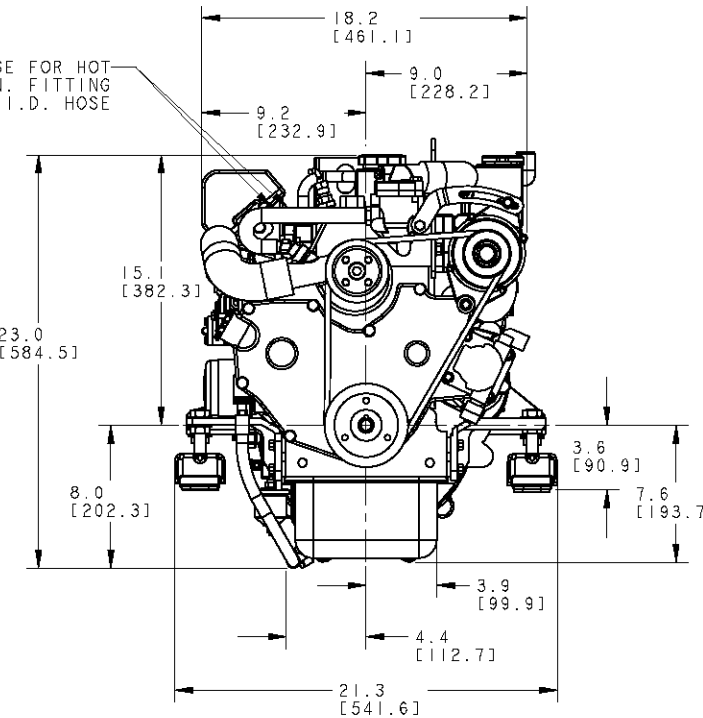
2.8 [72]



8.6 [217.3]

34.1 [865.6]

REMOVE HOSE FOR HOT  
WATER CONNECTION. FITTING  
FOR .63 [16.0] I.D. HOSE



15.1 [382.3]

23.0 [584.5]

8.0 [202.3]

21.3 [541.6]

4.4 [112.7]

3.9 [99.9]

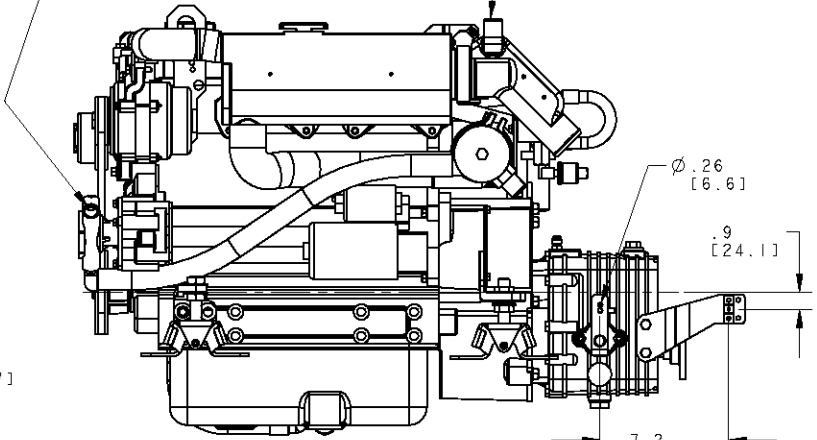
7.6 [193.7]

3.6 [90.9]

18.2 [461.1]  
9.0 [228.2]  
9.2 [232.9]

WATER INJECTION FITTING  
LOCATED ON EITHER SIDE  
1.0 [25.4] I.D. HOSE

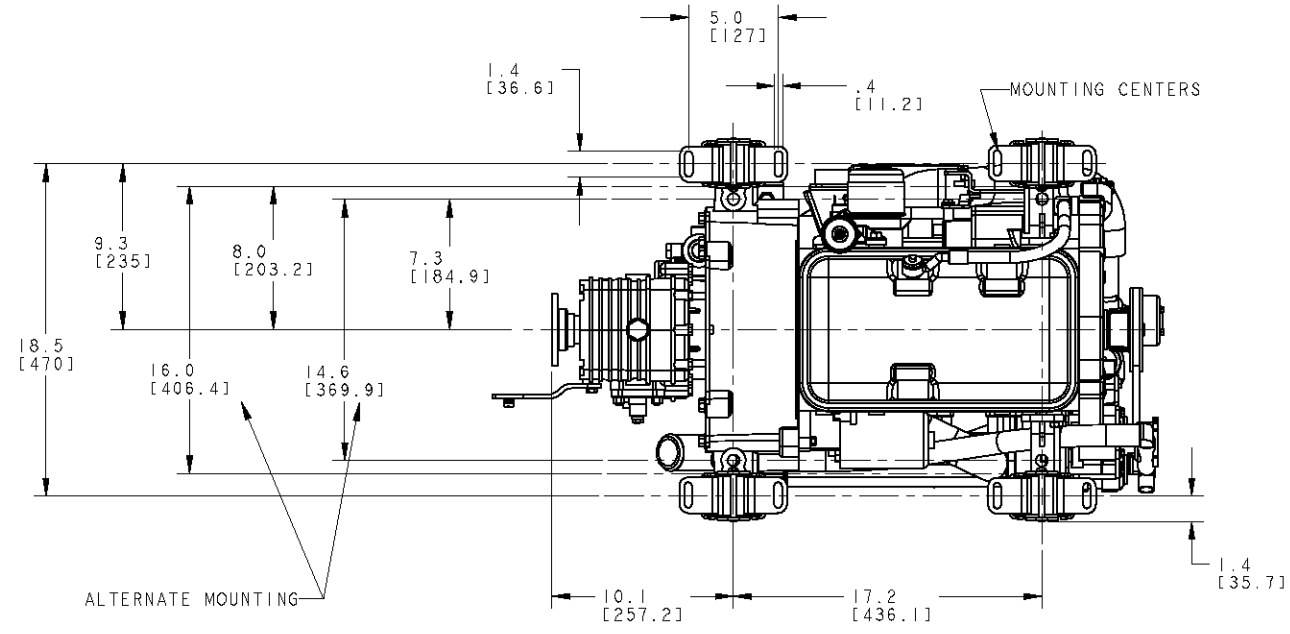
RAW WATER INLET  
1.0 [25.4] I.D. HOSE



Ø.26 [6.6]

9 [24.1]

7.2 [181.6]



1.4 [36.6]

5.0 [127]

.4 [11.2]

MOUNTING CENTERS

18.5 [470]

9.3 [235]

16.0 [406.4]

8.0 [203.2]

14.6 [369.9]

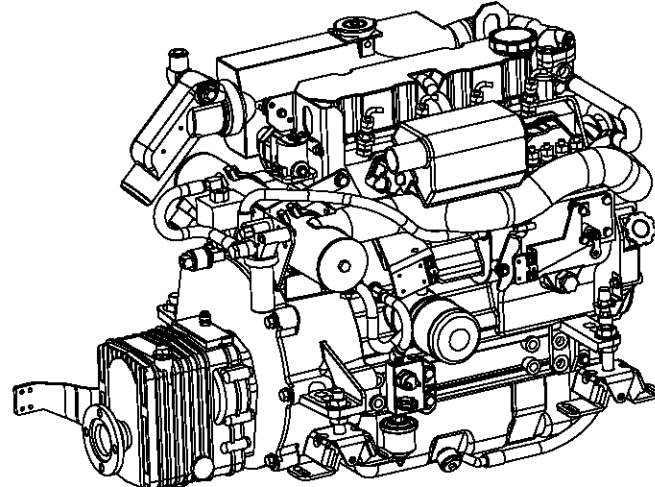
7.3 [184.9]

ALTERNATE MOUNTING

10.1 [257.2]

17.2 [436.1]

1.4 [35.7]



MODEL WITH 50 AMP ALTERNATOR

TOLERANCES (UNLESS OTHERWISE NOTED)		WESTERBEKE CORPORATION TAUNTON, MA. 02780	
INCHES	MILLIMETERS	TITLE	
.XX : .02	X ± 1.0	INSTALLATION DRAWING	
.XXX : .005	.X ± .5	44B FOUR WITH PRM120 TRANSMISSION	
CAST : .03	.XX ± .13	DRAWN BY	DATE
FINISH		BM	28/JUN/02
DIMENSIONS		APPROVED BY	DATE
INCHES			
MILLIMETERS		SCALE: .187	SIZE
(WHEN APPLICABLE)		SHT. 1 OF 1	DRAWING NUMBER
		D	47969
		REV.	A