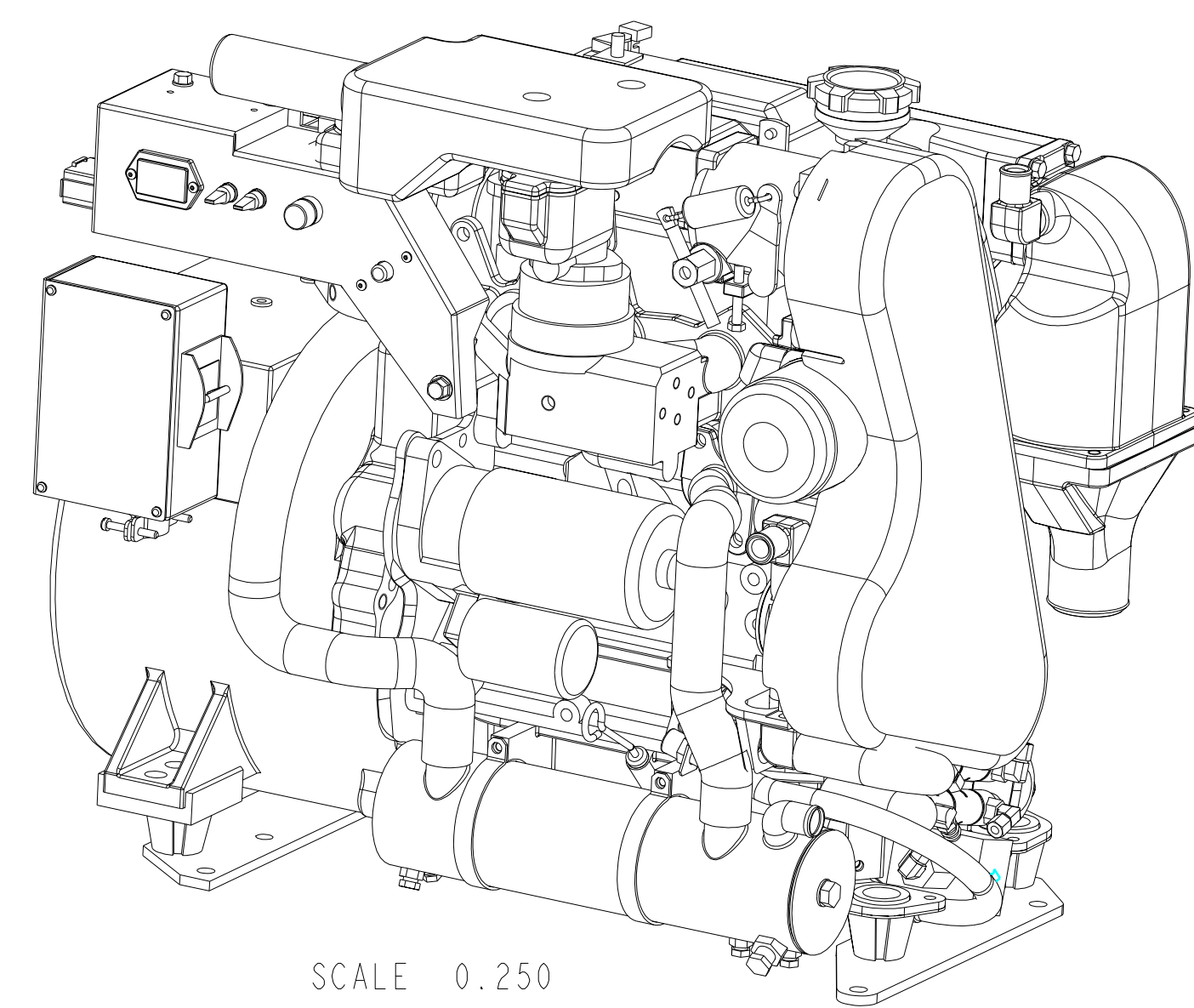
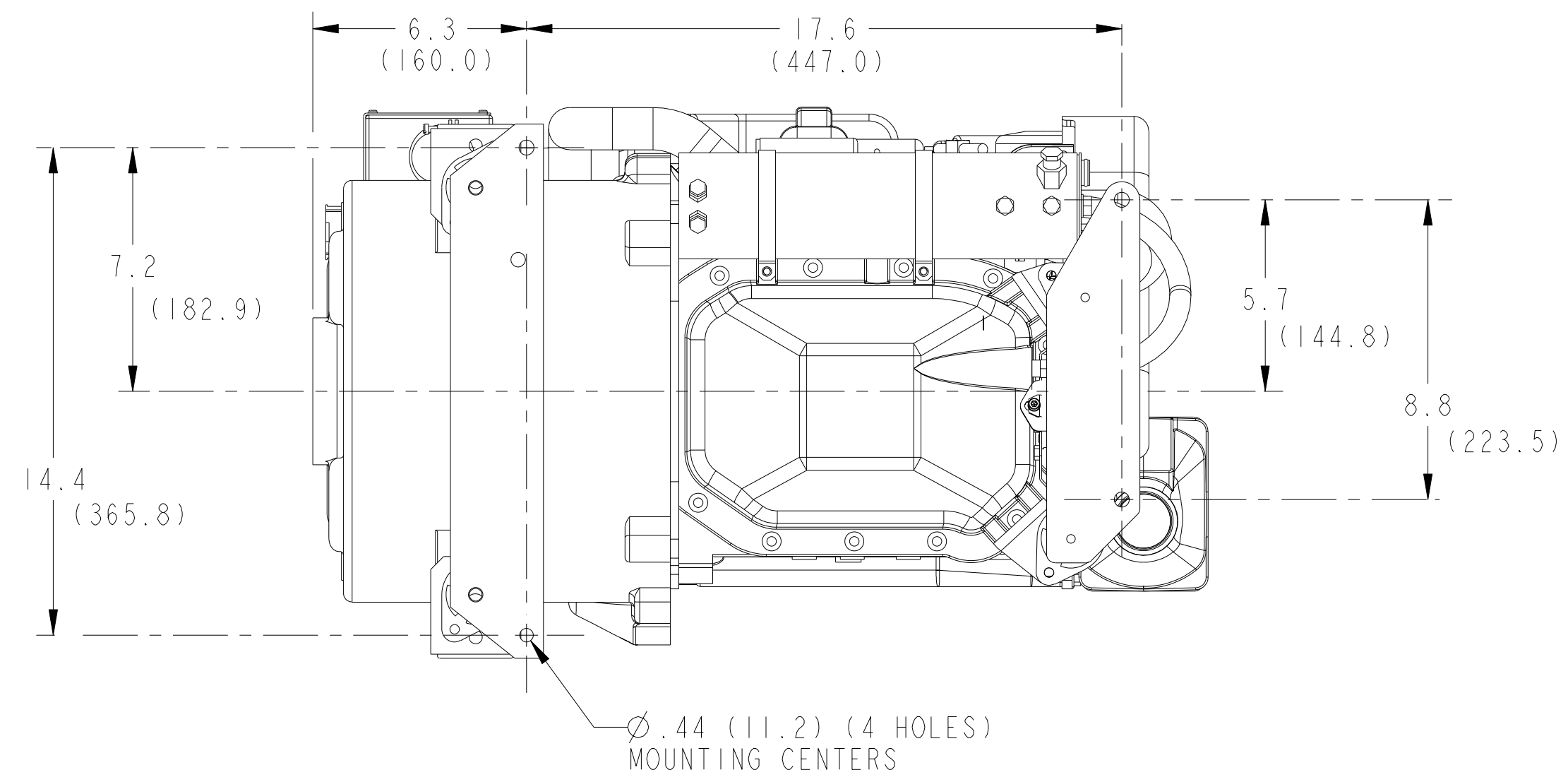
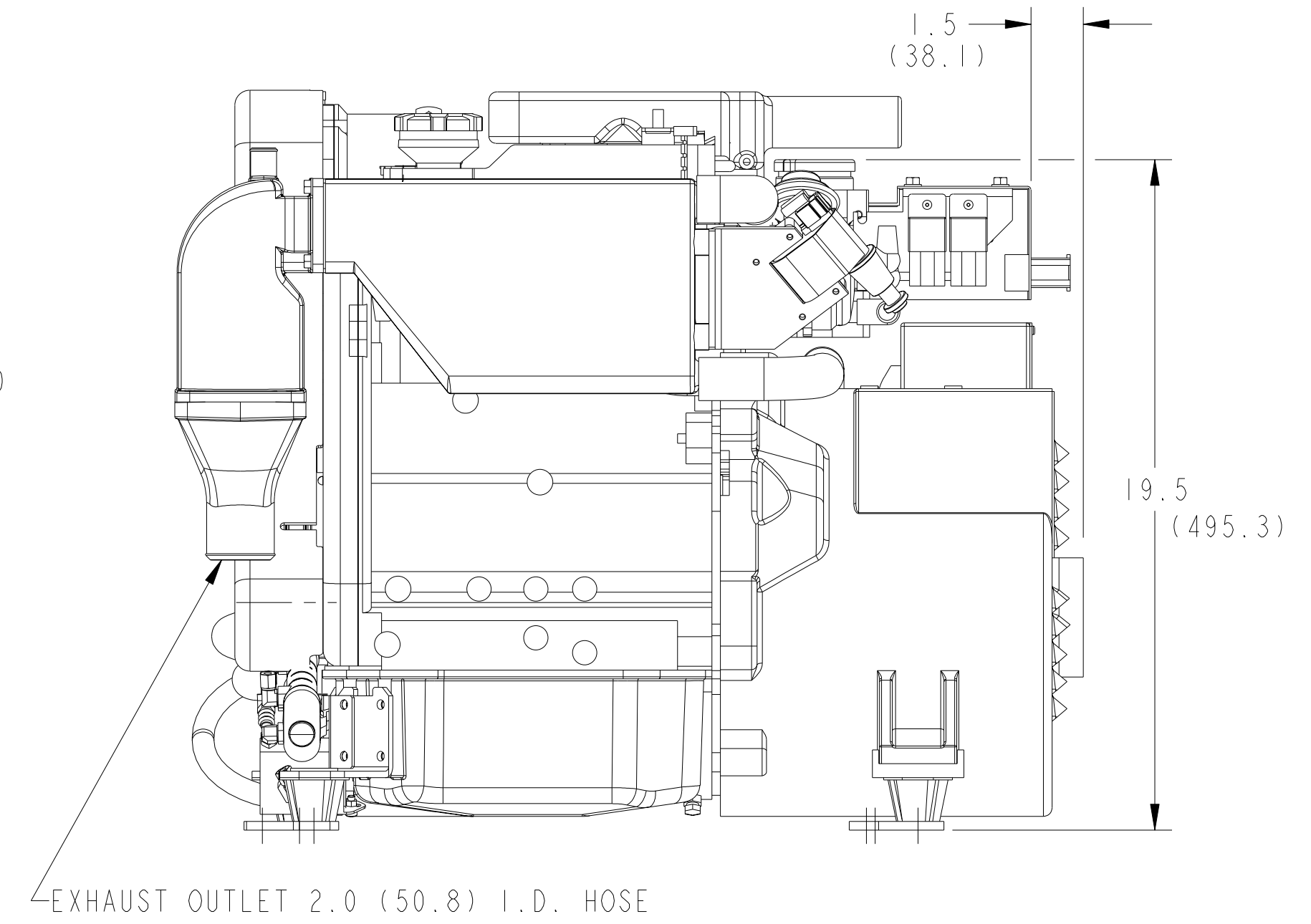
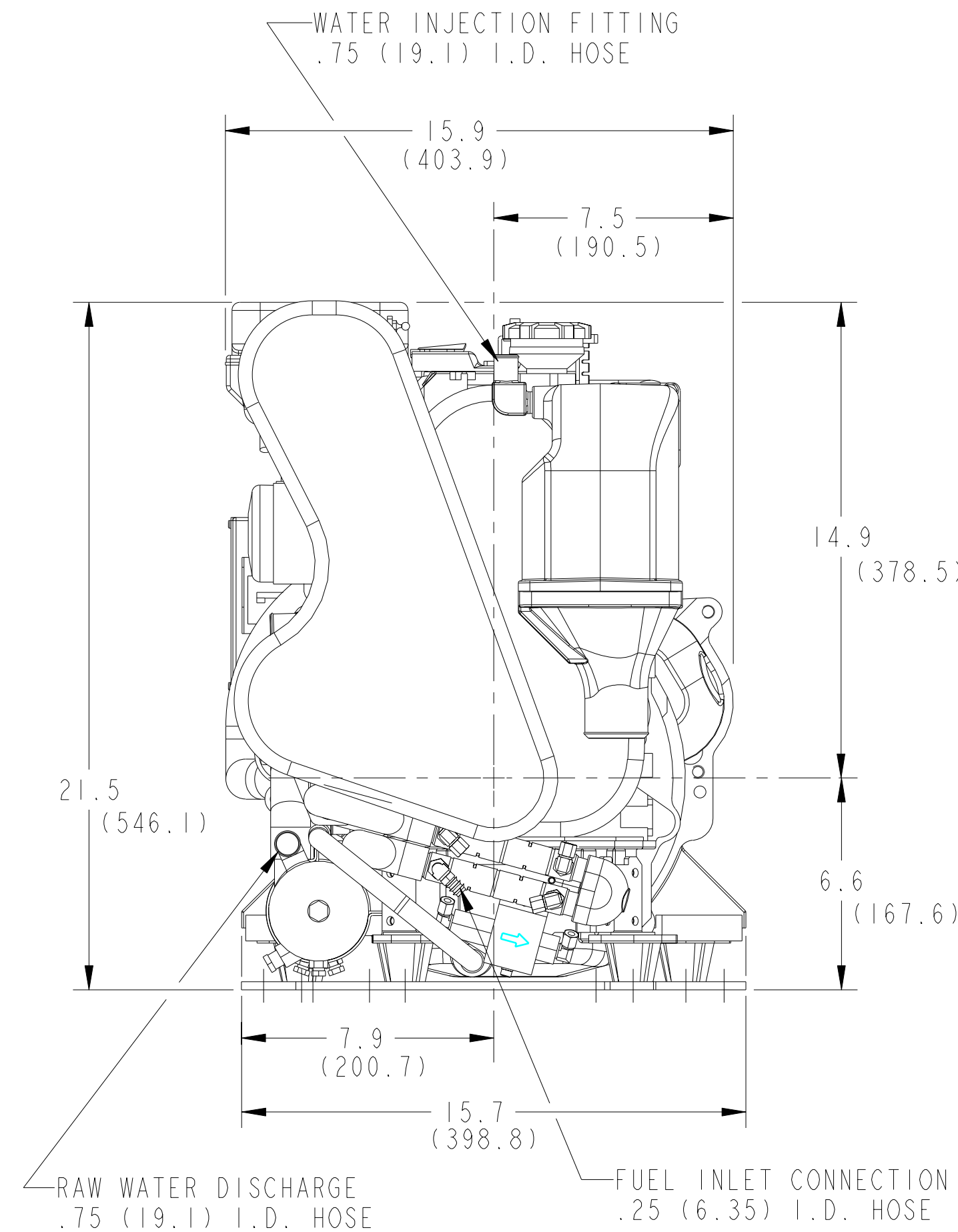


1.3  
(33.0)

M12x.75 THREAD 1.0 (25.4) DEEP  
(3) HOLES EQUALLY SPACED ON A  
Ø3.34 (85.0) B.C.

Ø3.9 (100.0) BY .10 (2.5) DEEP



SCALE 0.250

TOLERANCES (UNLESS OTHERWISE NOTED)		WESTERBEKE CORPORATION AVON MA. 02322	
INCHES	MILLIMETERS	TITLE	
.XX : .02	X. :	INSTALLATION DRAWING	
.XX : .005	.X :	7.0 BCGB	
CAST : .03	.XX :	DRAWN BY	DATE
ANGLES : .5°		JM	5-19-99
FINISH		APPROVED BY	DATE
DIMENSIONS		SCALE	SIZE
INCHES		1/4	D
MILLIMETERS			DRAWING NUMBER
(WHEN APPLICABLE)		SHT. 1 of 1	44434
			REV.