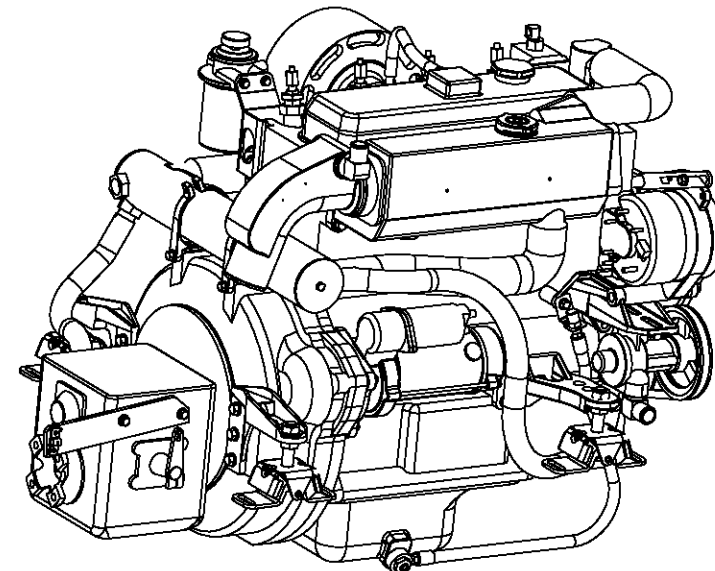
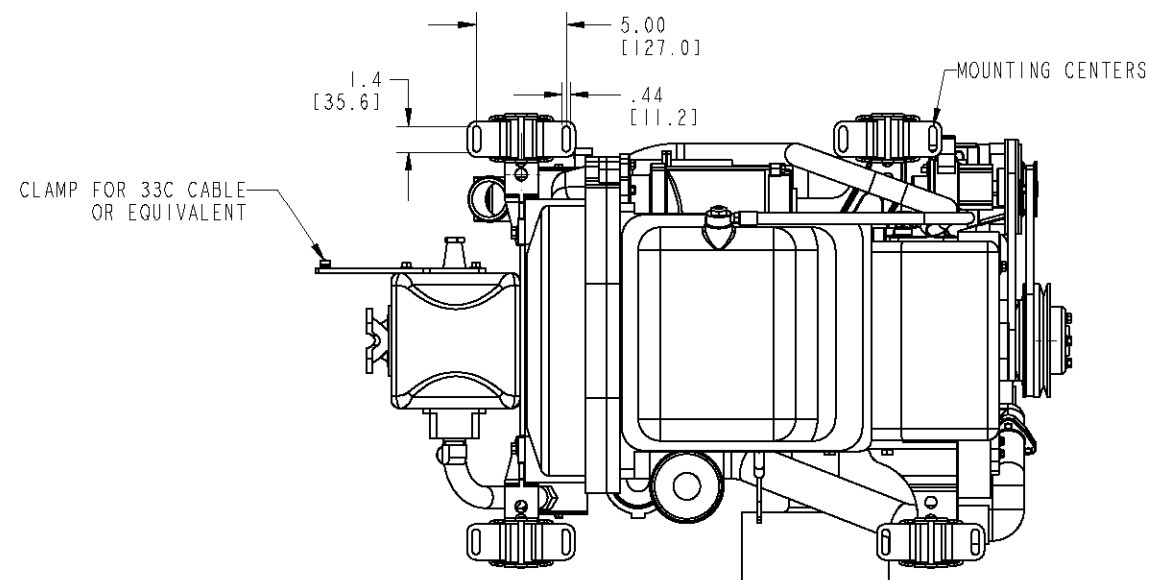
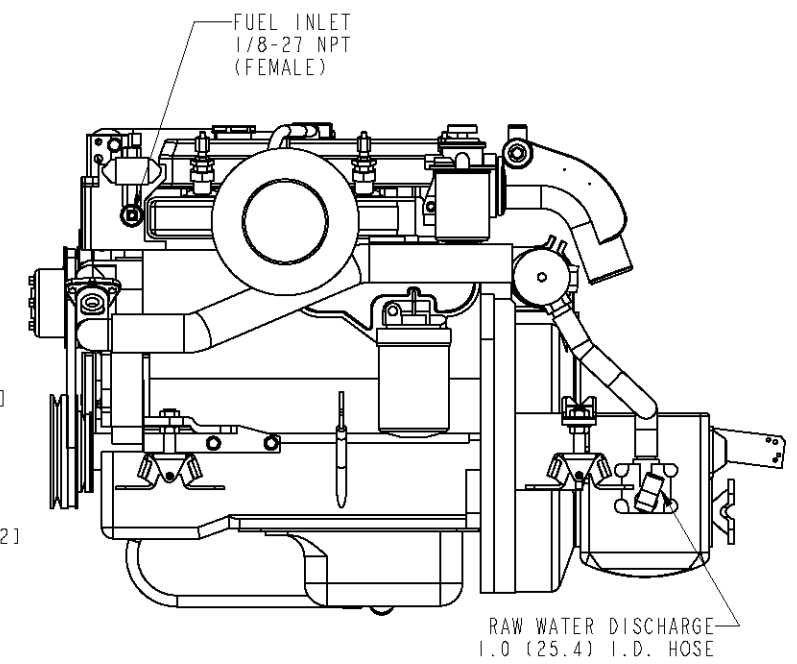
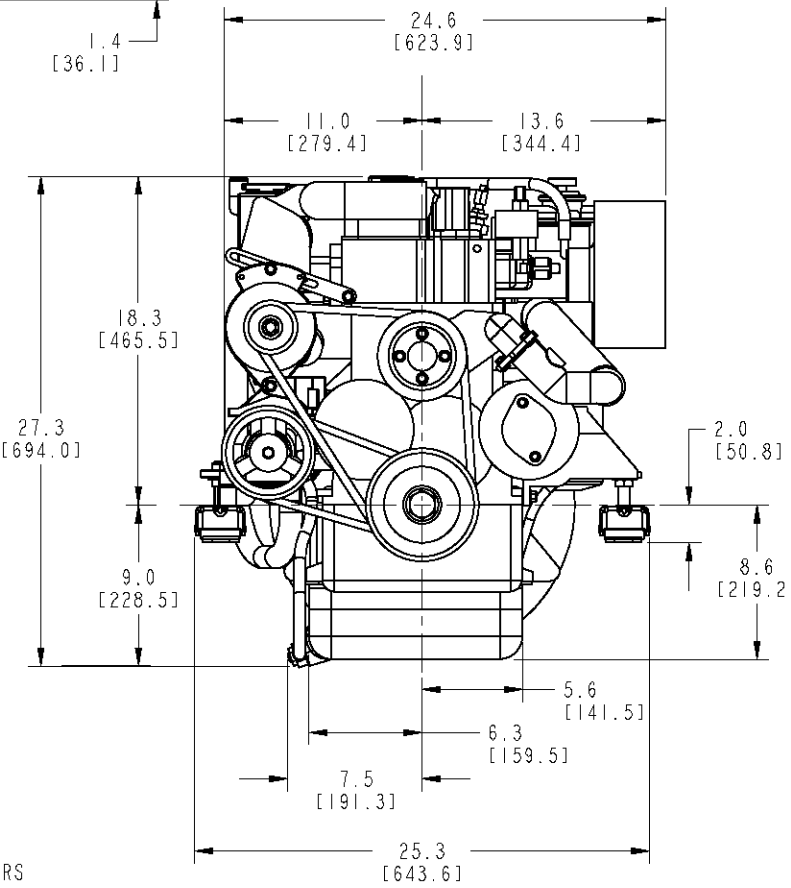
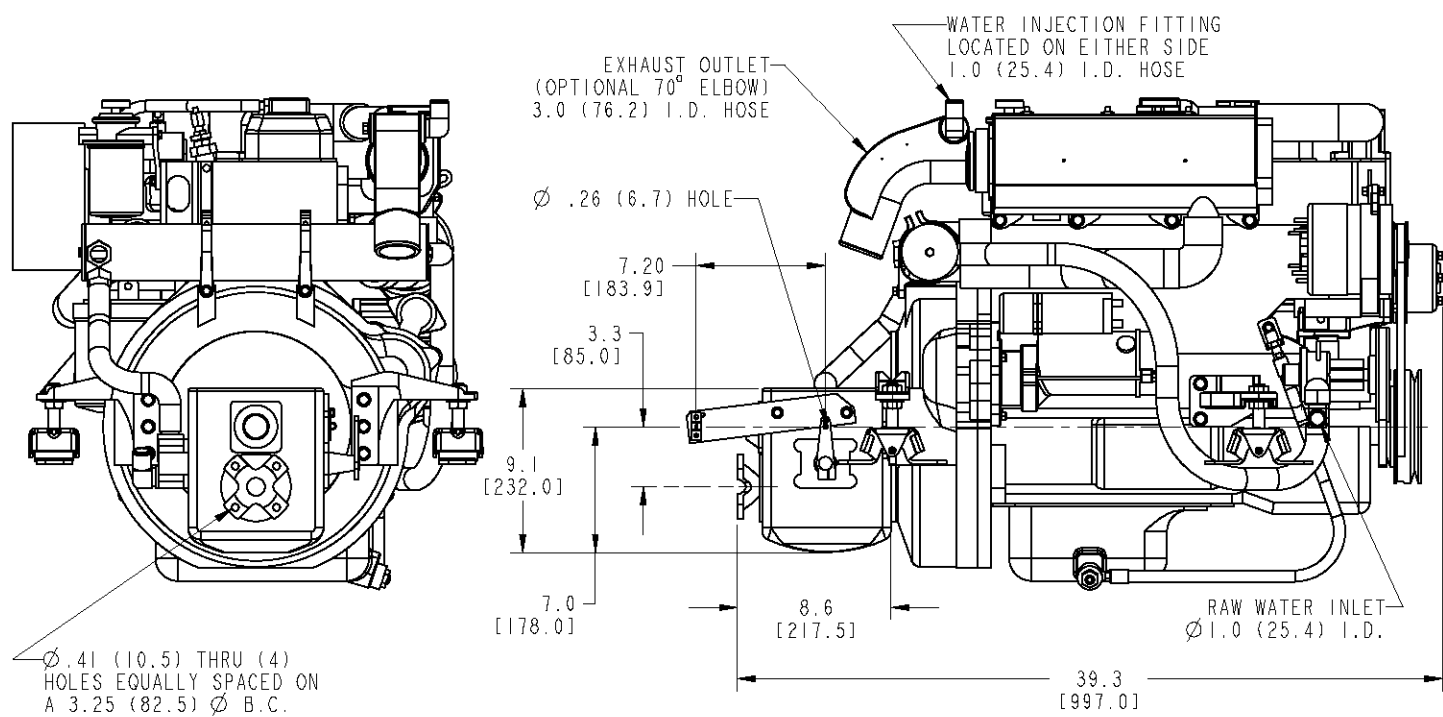
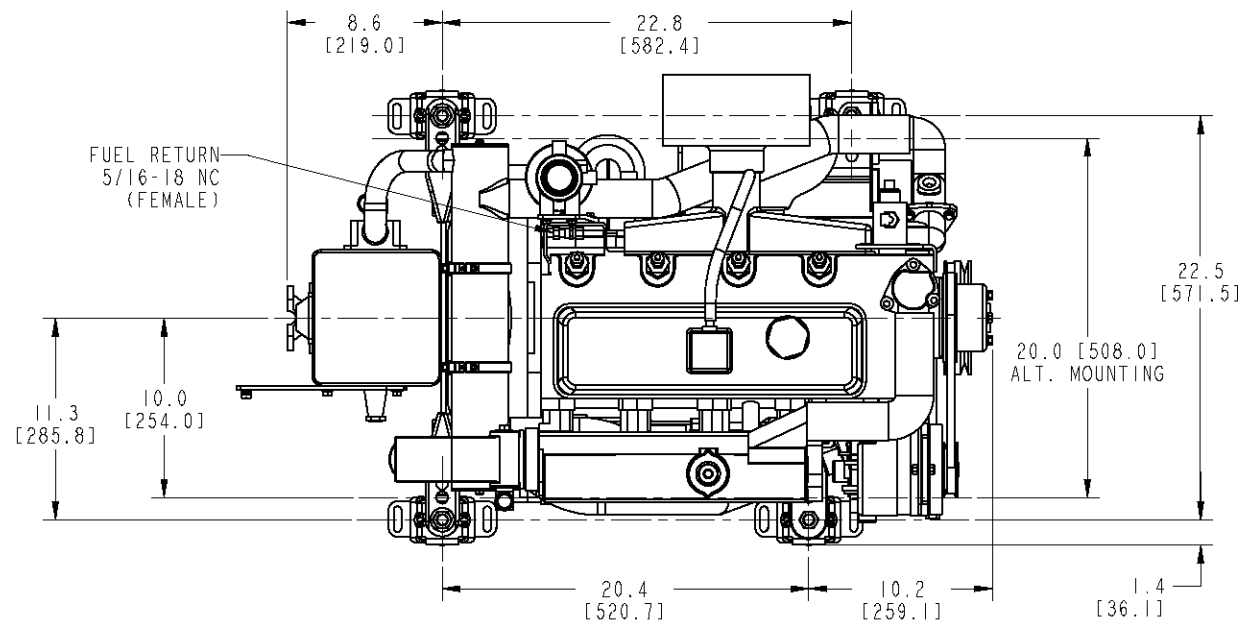


ECO NO.	DATE	REV.	REVISION RECORD	AUTH.	DR. BY
4086	5-10 1999	D	CHANGED SCALE FROM .187 TO .100 CHANGED FORMAT FROM D TO C SIZE		JM
5376	10-1 02	E	CHANGED SCALE BACK TO .187 WAS .100 CHANGED FORMAT BACK TO D SIZE WAS C SIZE UPDATE ASM TO REFLECT CURRENT BOM		BM
5426	12-12 02	F	ADDED PART #48076 TO ASSEMBLY		BM
5617	10-9 03	G	CHANGED INTAKE SILENCER FROM 37785 TO 48804		GA
5729	4-30 04	H	REMOVE ALT. MOUNTING DIM 18.5		GA



TOLERANCES (UNLESS OTHERWISE NOTED)		WESTERBEKE CORPORATION TAUNTON, MA. 02780	
INCHES	MILLIMETERS	TITLE	DATE
.XX	.XX	INSTALLATION DRAWING - 71C FOUR	4-7-95
.XXX	.005	WITH HBW250 TRANSMISSION	MATERIAL:
CST	.03		
ANGLES	.8°		
FINISH			
DIMENSIONS		APPROVED BY	DATE
INCHES		SCALE 0.187	SIZE
MILLIMETERS		SHT. 1 OF 1	DRAWING NUMBER
(WHEN APPLICABLE)			41185
			REV.
			H