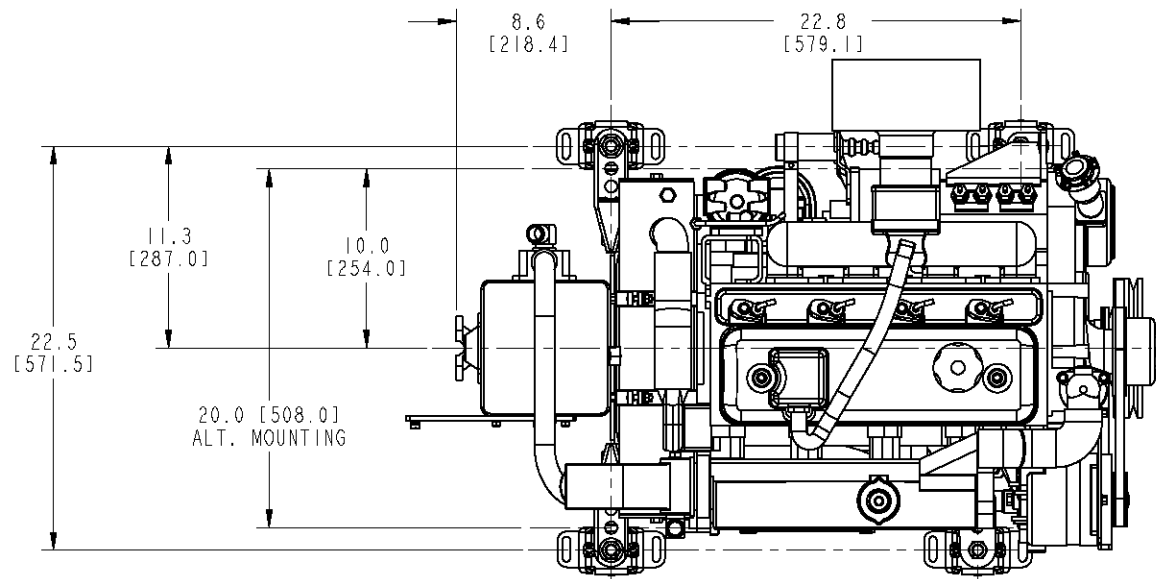
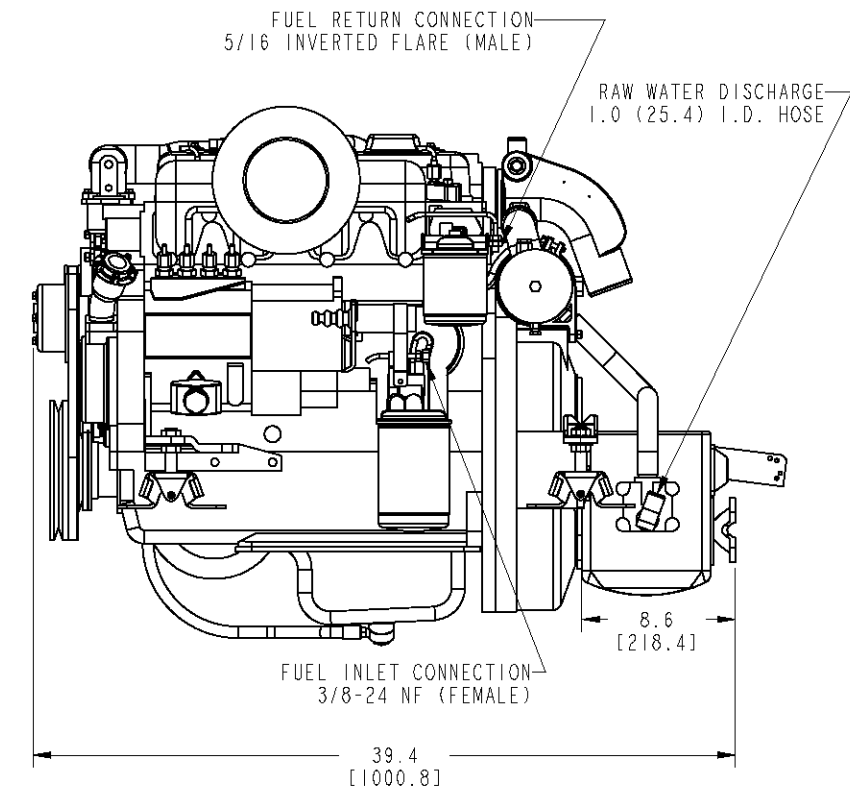
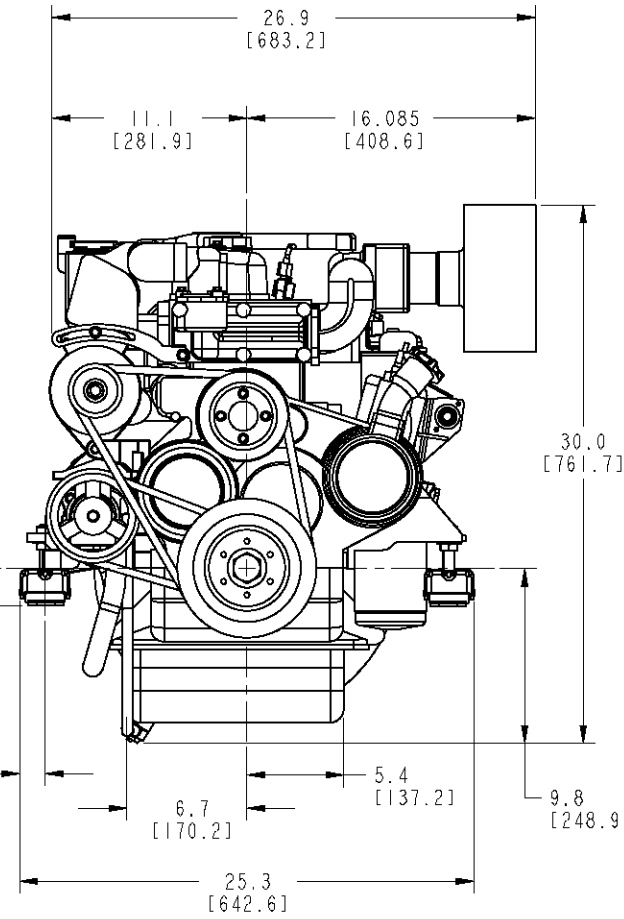
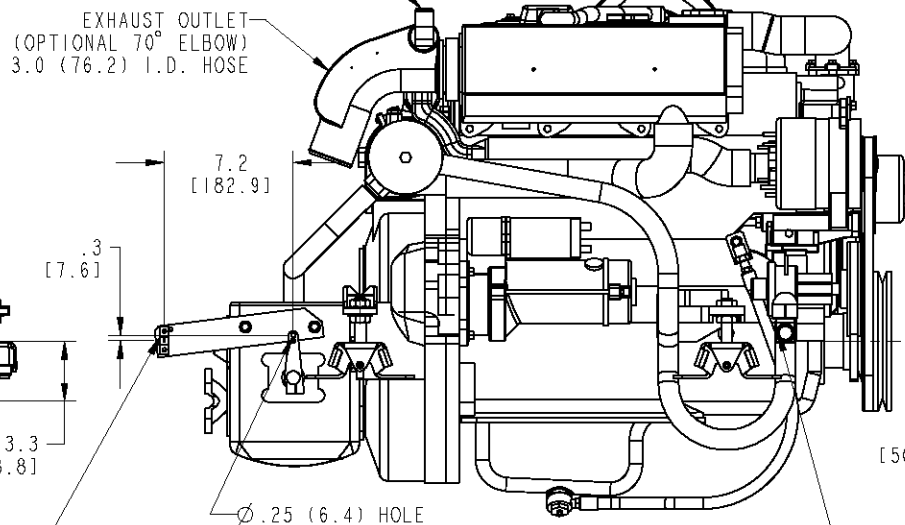
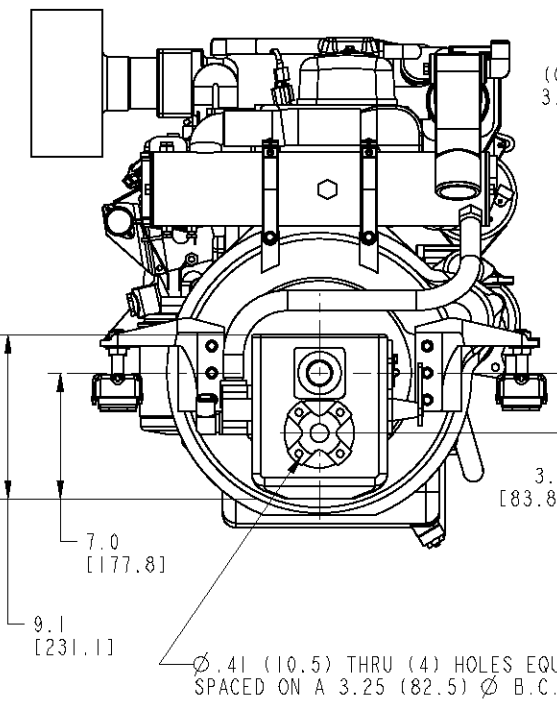


ECO NO.	DATE	REV.	REVISION RECORD	AUTH.	DR. BY
3900	11-17 1998	A	3" DIA EXHAUST ELBOW WAS 2" DIA		JM
3971	2-2 1999	B	ALT. MTG DIMENSION 18.5 WAS 18		JM
5386	10-21 02	C	UPDATE ASM TO REFLECT CURRENT BOM		BM
5617	10-9 03	D	CHANGE INTAKE SILENCER FROM 42146 TO 48804		GA
5729	5-4 04	E	REMOVE ALT. MOUNTING DIM 18.5		GA



WATER INJECTION FITTING LOCATED ON EITHER SIDE 1.0 (25.4) I.D. HOSE

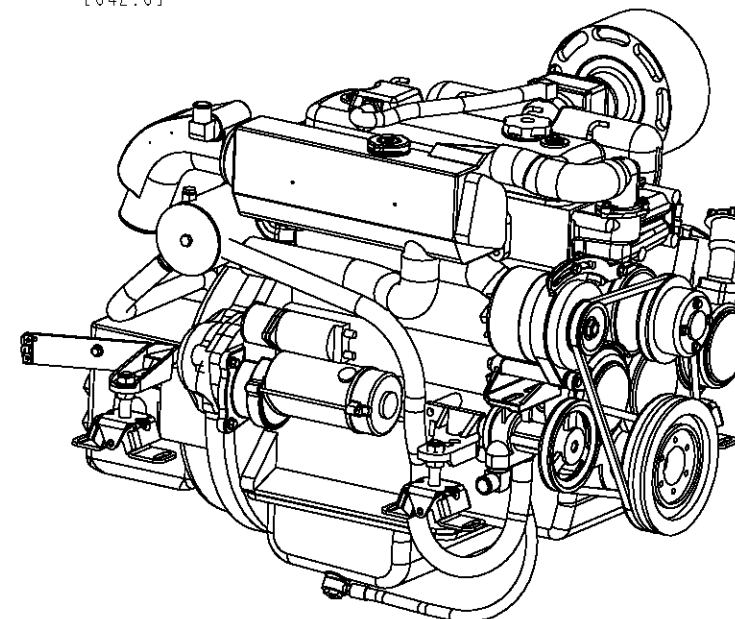
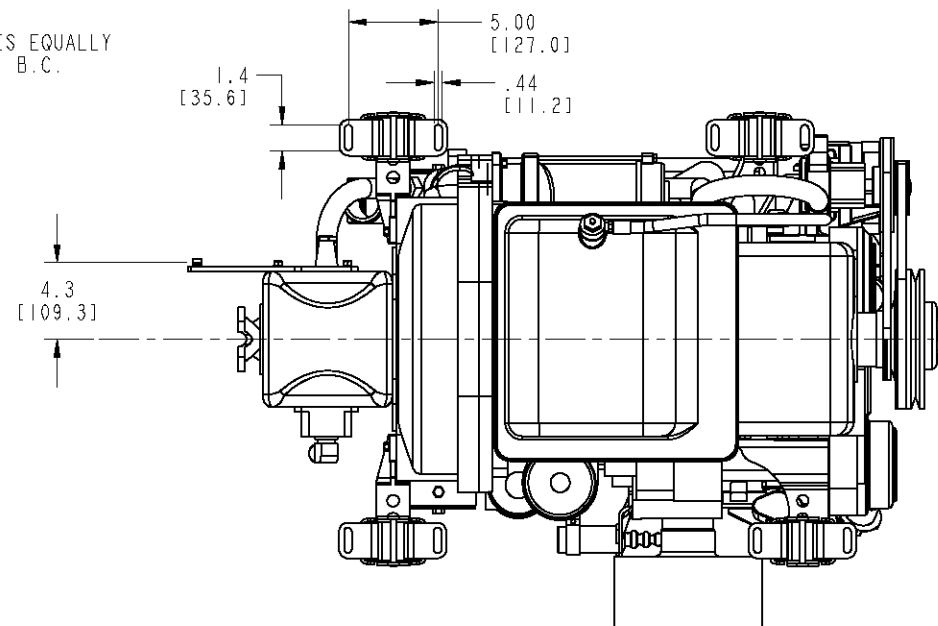
20.4 [518.2] 10.4 [264.2]



FUEL RETURN CONNECTION 5/16 INVERTED FLARE (MALE)

RAW WATER DISCHARGE 1.0 (25.4) I.D. HOSE

FUEL INLET CONNECTION 3/8-24 NF (FEMALE)



TOLERANCES (UNLESS OTHERWISE NOTED)		WESTERBEKE CORPORATION TAUNTON, MA. 02780	
INCHES	MILLIMETERS	TITLE	MATERIAL
.XX ± .02	X ± 1.0	INSTALLATION DRAWING	
.XXX ± .005	.X ± .15	90A FOUR WITH HBW250 TRANSMISSION	
CAST ± .03	.XX ± .13		
ANGLES ± .4°			
FINISH			
DIMENSIONS	APPROVED BY	DATE	
INCHES	JM	2-24-98	
MILLIMETERS			
(WHEN APPLICABLE)	SCALE 0.187	SIZE	DRAWING NUMBER
	SHT. 1 OF 1	D	43319
			REV. E