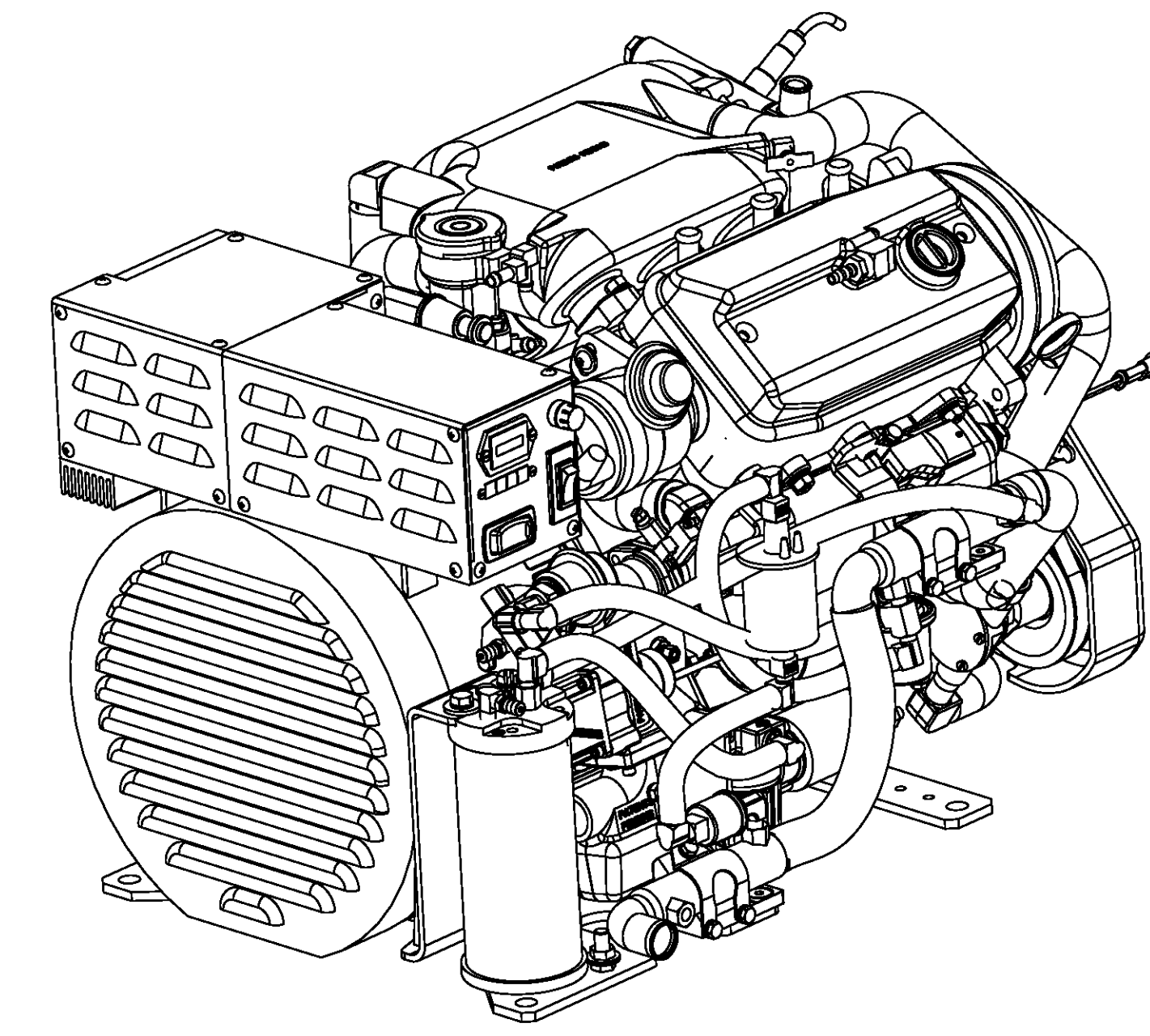
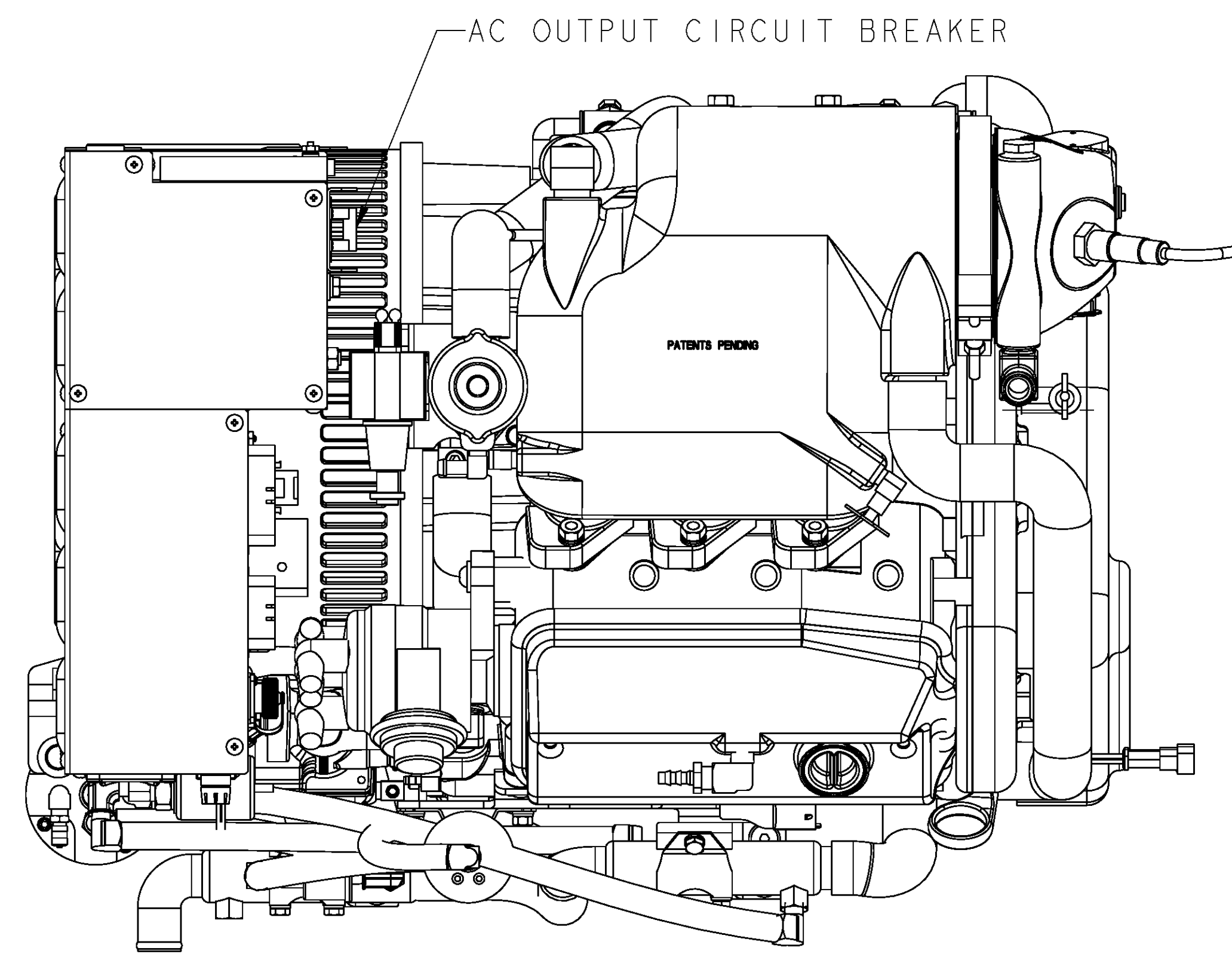
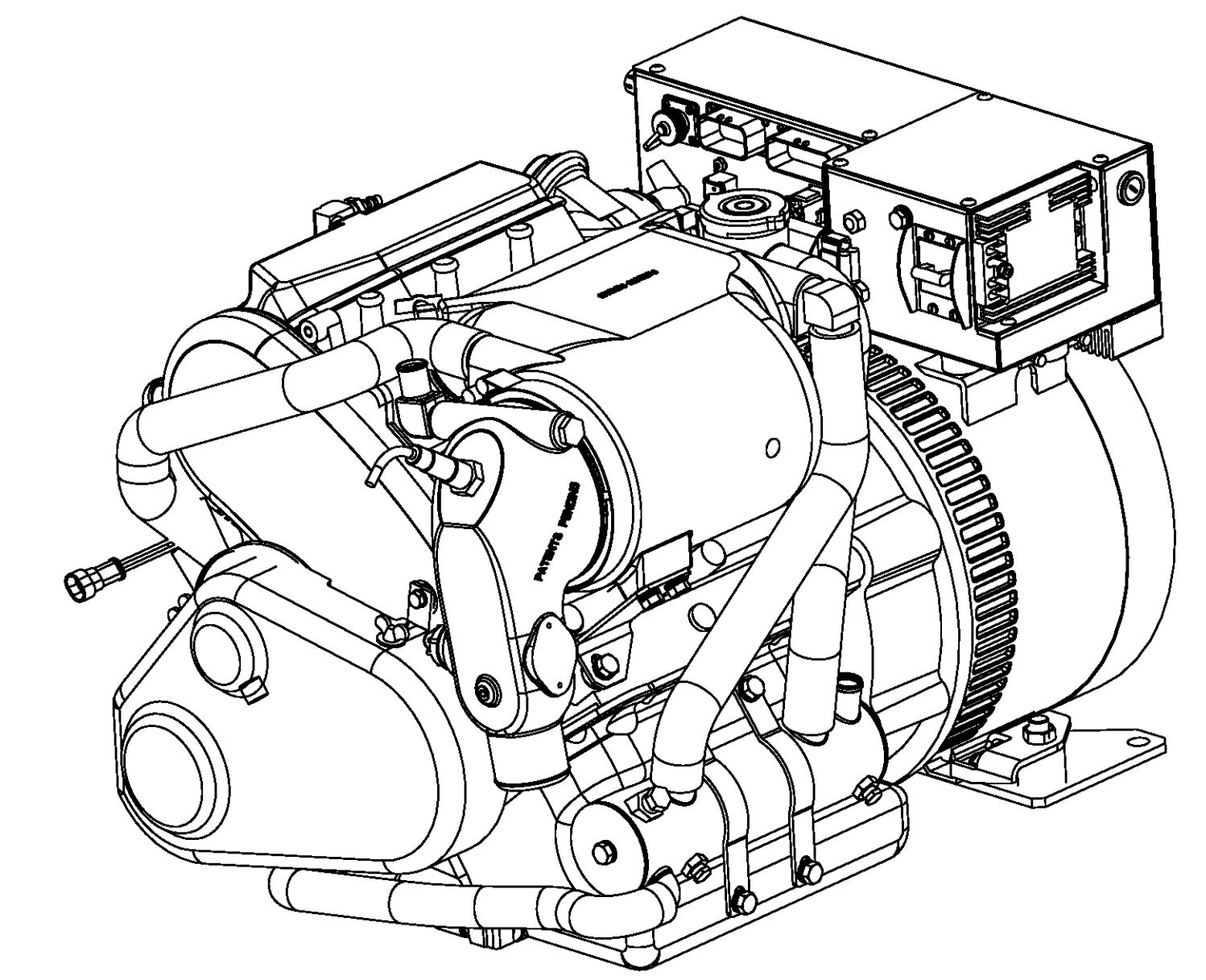


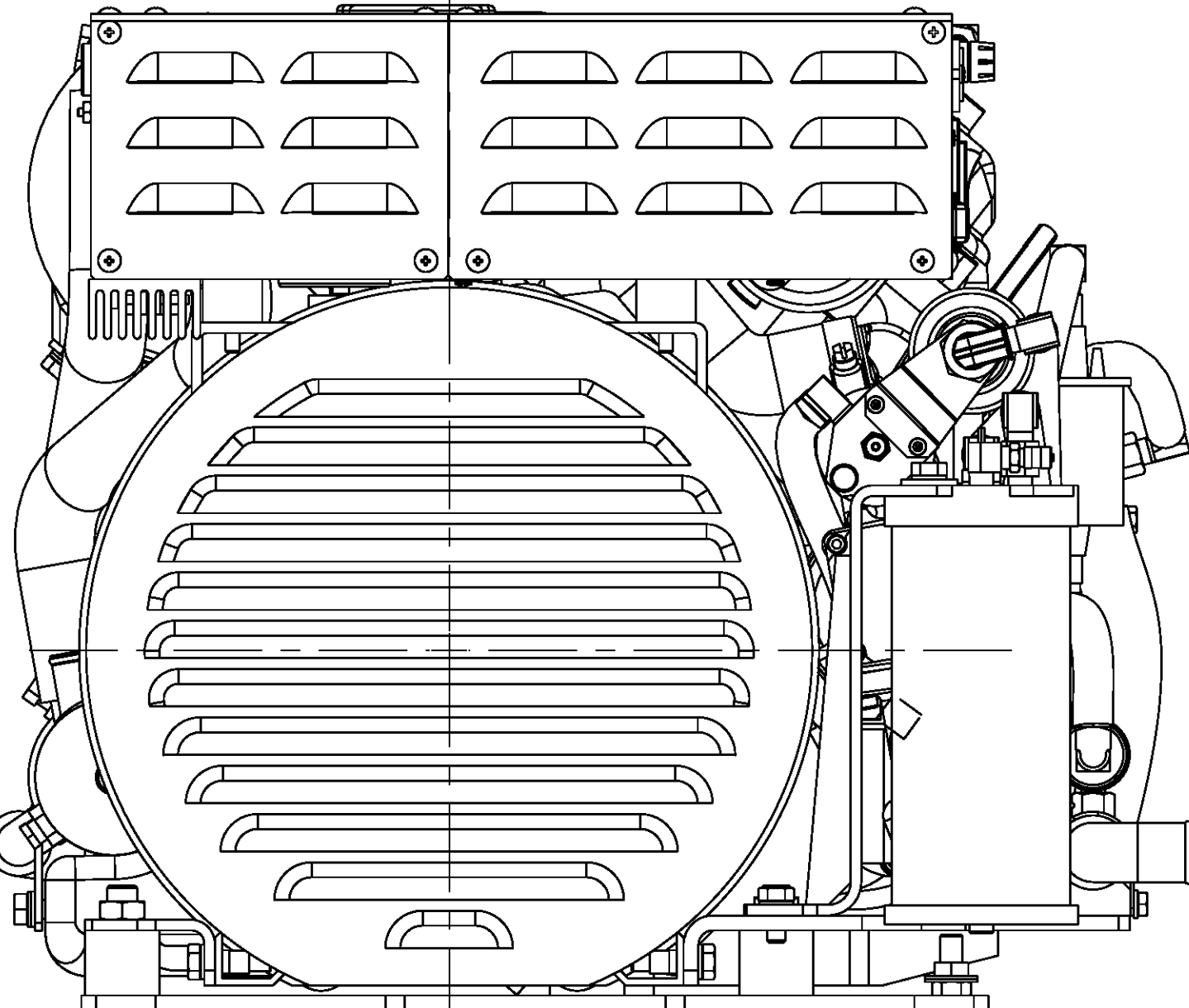
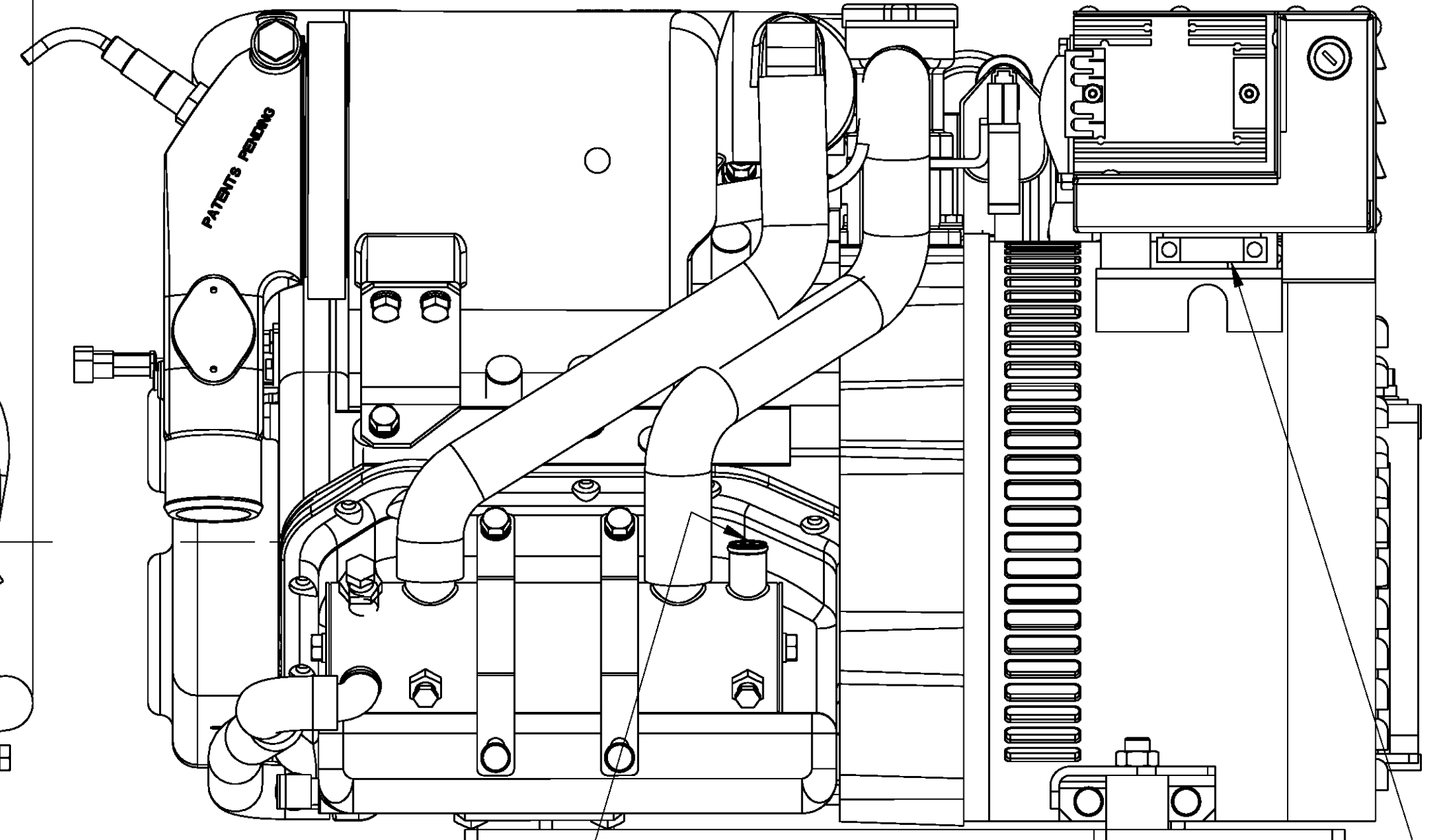
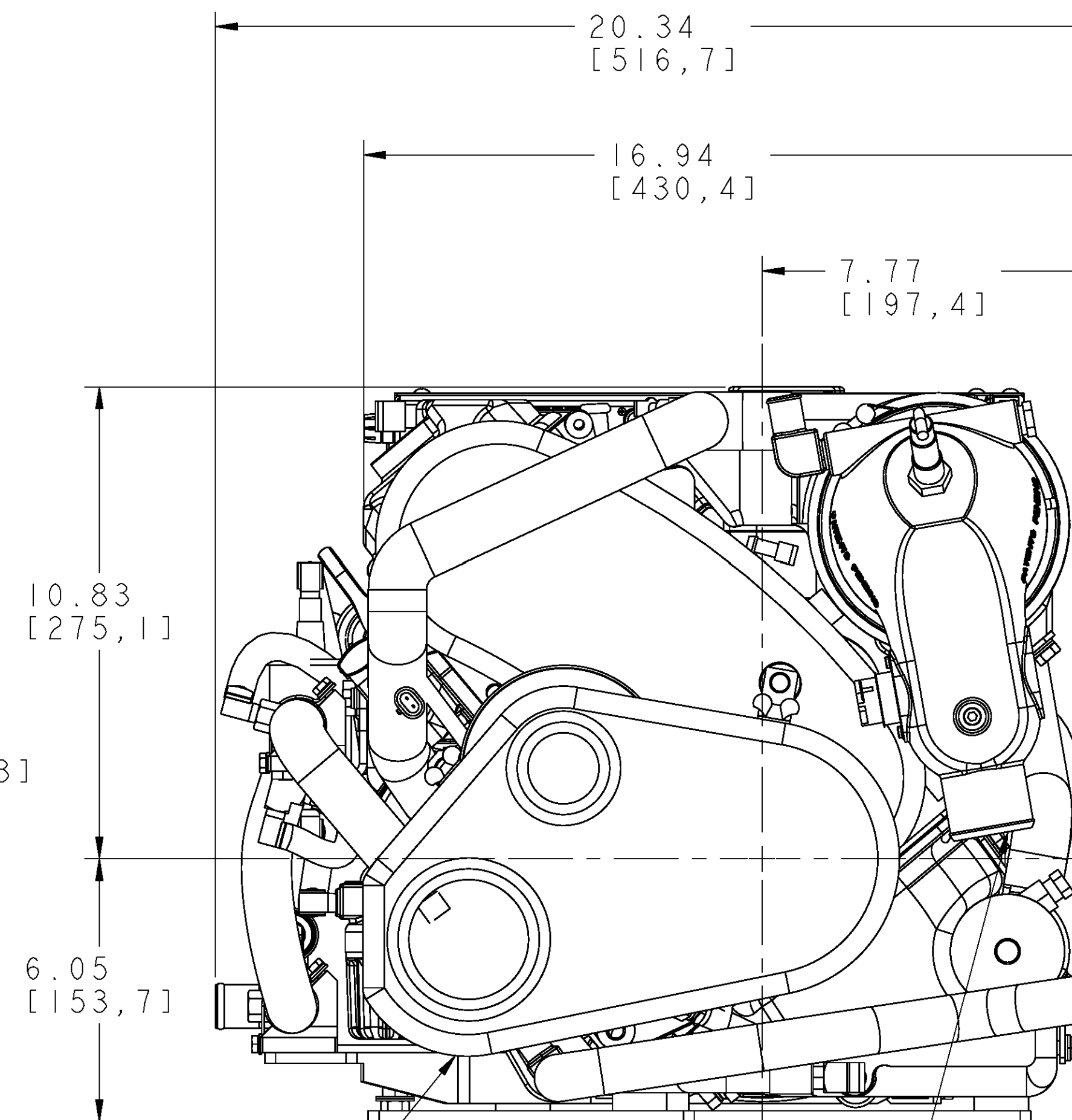
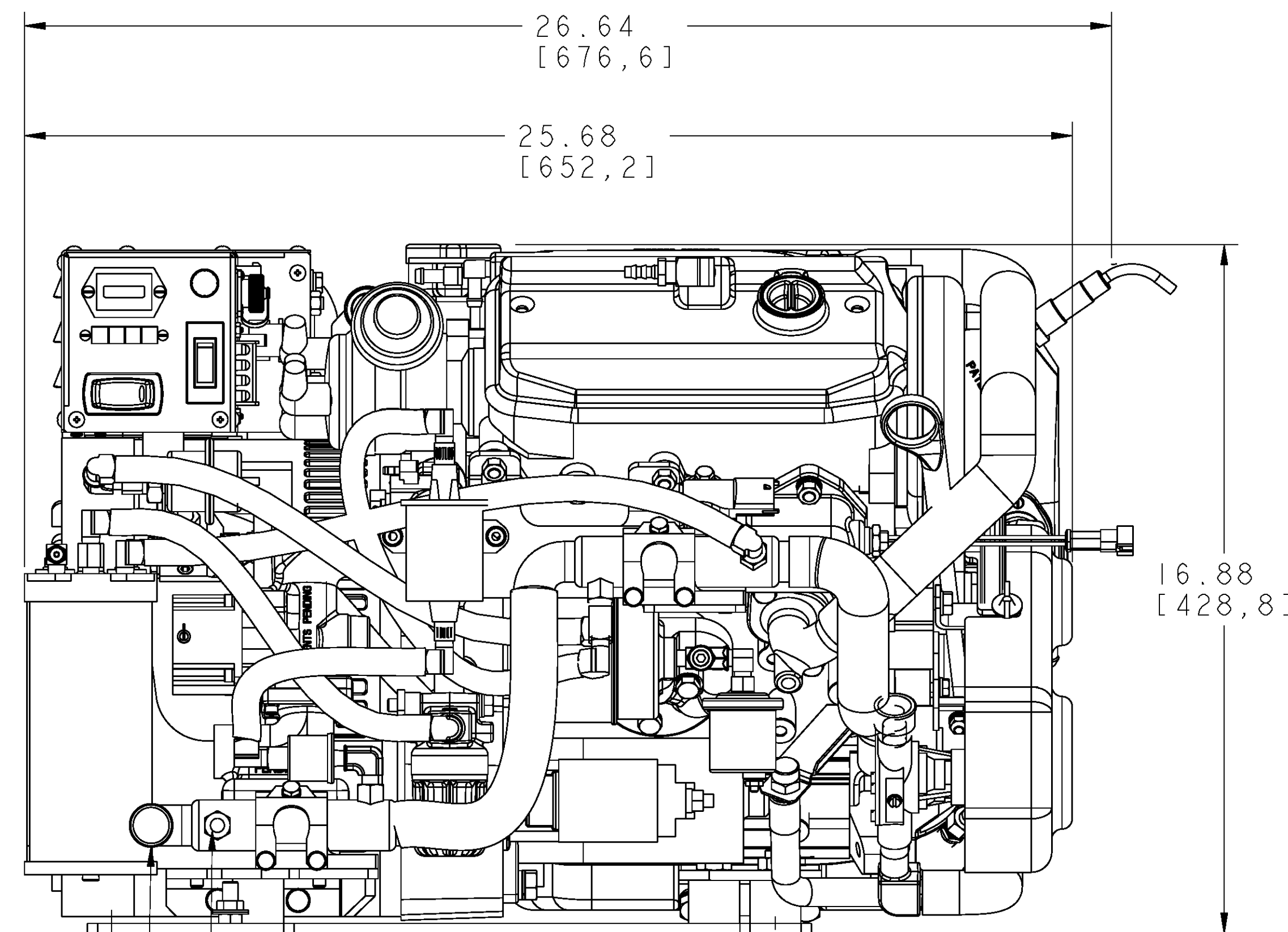
ECO NO.	DATE	REV.	REVISION RECORD	AUTH.	DR. BY
5910	1-17	A	INDICATED FUEL RETURN CONNECTION		BM
6093	2-28	B	ADD NEW RETURNLESS FUEL SYSTEM.		GA



SCALE 0.250



SCALE 0.250



CUSTOMER FUEL CONNECTION
1/8-27 NPT FEMALE

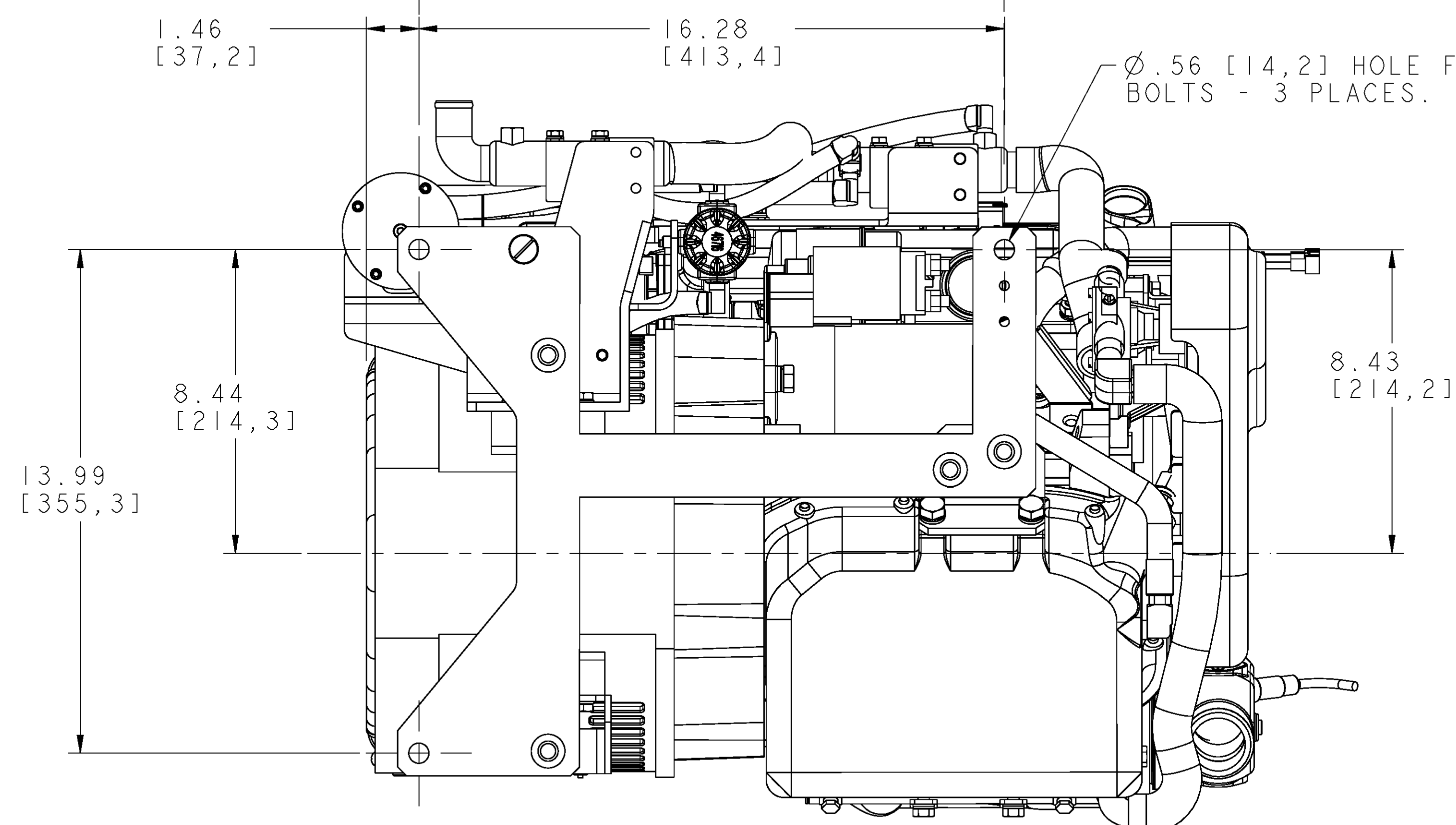
RAW WATER INLET
Ø1.00 I.D. HOSE

BELT GUARD

EXHAUST OUTLET
Ø2.00 I.D. HOSE

RAW WATER DISCHARGE
Ø.75 I.D. HOSE

A.C. CONNECTION WIRING
OUTLET



Ø.56 [14,2] HOLE FOR 1/2" LAG BOLTS - 3 PLACES.

NUMBERS IN BRACKETS ARE IN MILLIMETERS

TOLERANCES (UNLESS OTHERWISE NOTED)		WESTERBEKE CORPORATION TAUNTON MA. 02780	
INCHES	MILLIMETERS	TITLE	
.XX : .02	.X :	INSTALLATION DRAWING	
.XX : .005	.XX :	5.0KW.SBCG	
CAST : .03	.XX :		
ANGLES : .2			
FINISH : .2			
DIMENSIONS	INCHES	DATE	MATERIAL:
	MILLIMETERS	18/Dec/01	
		APPROVED BY	SCALE
			0.375
		SIZE	DRAWING NUMBER
		E	49202
		SHT. 1 OF 2	REV.
			B