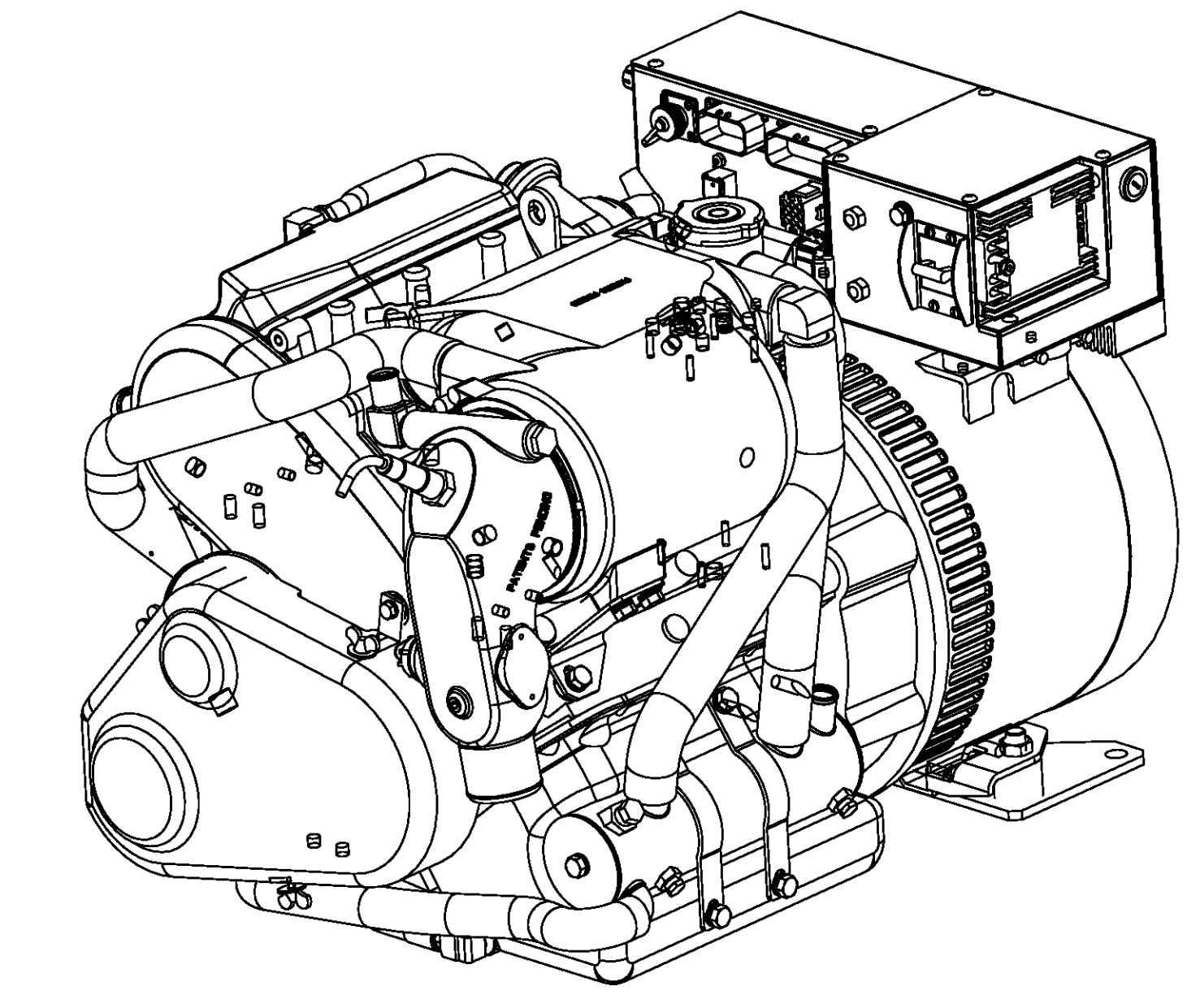
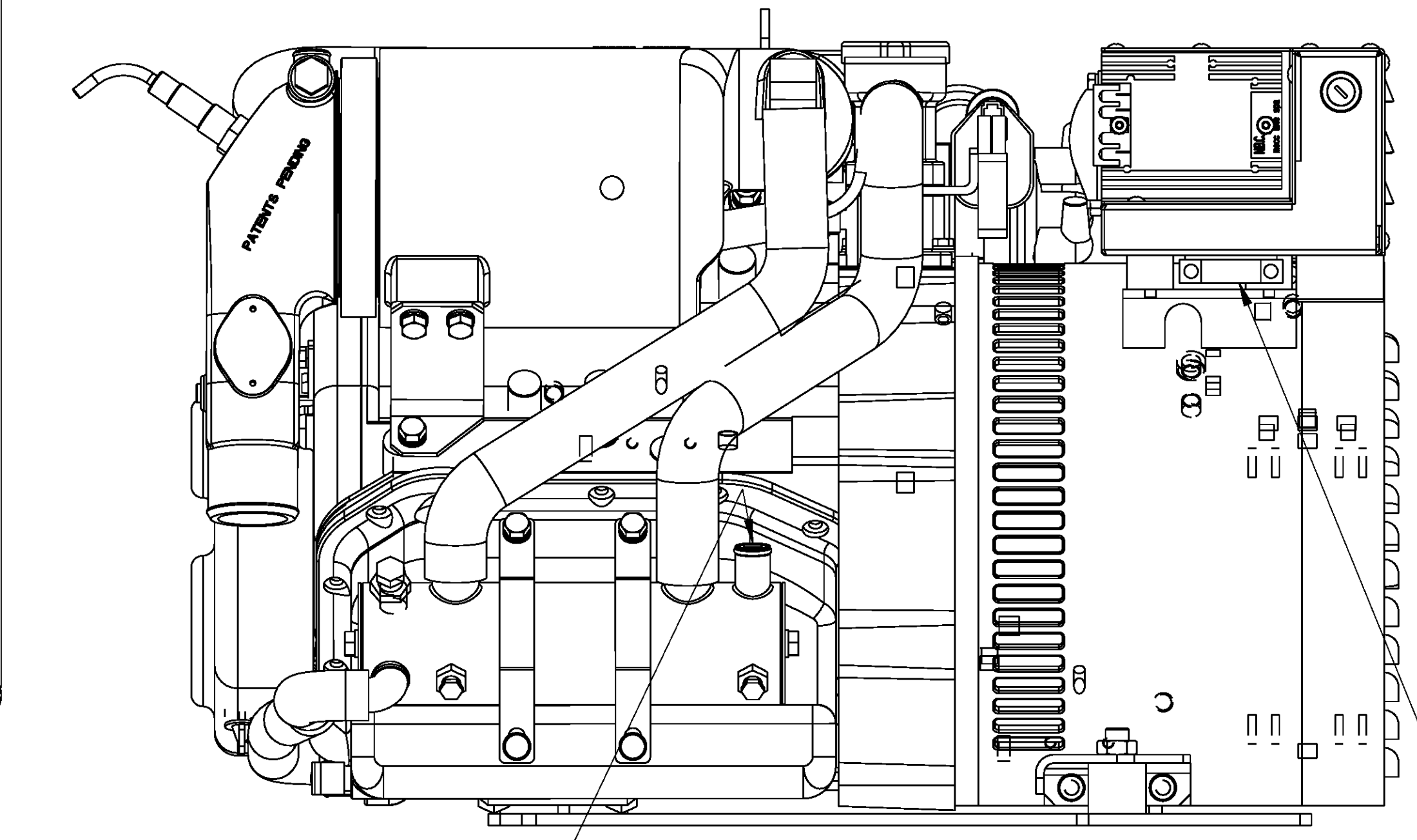
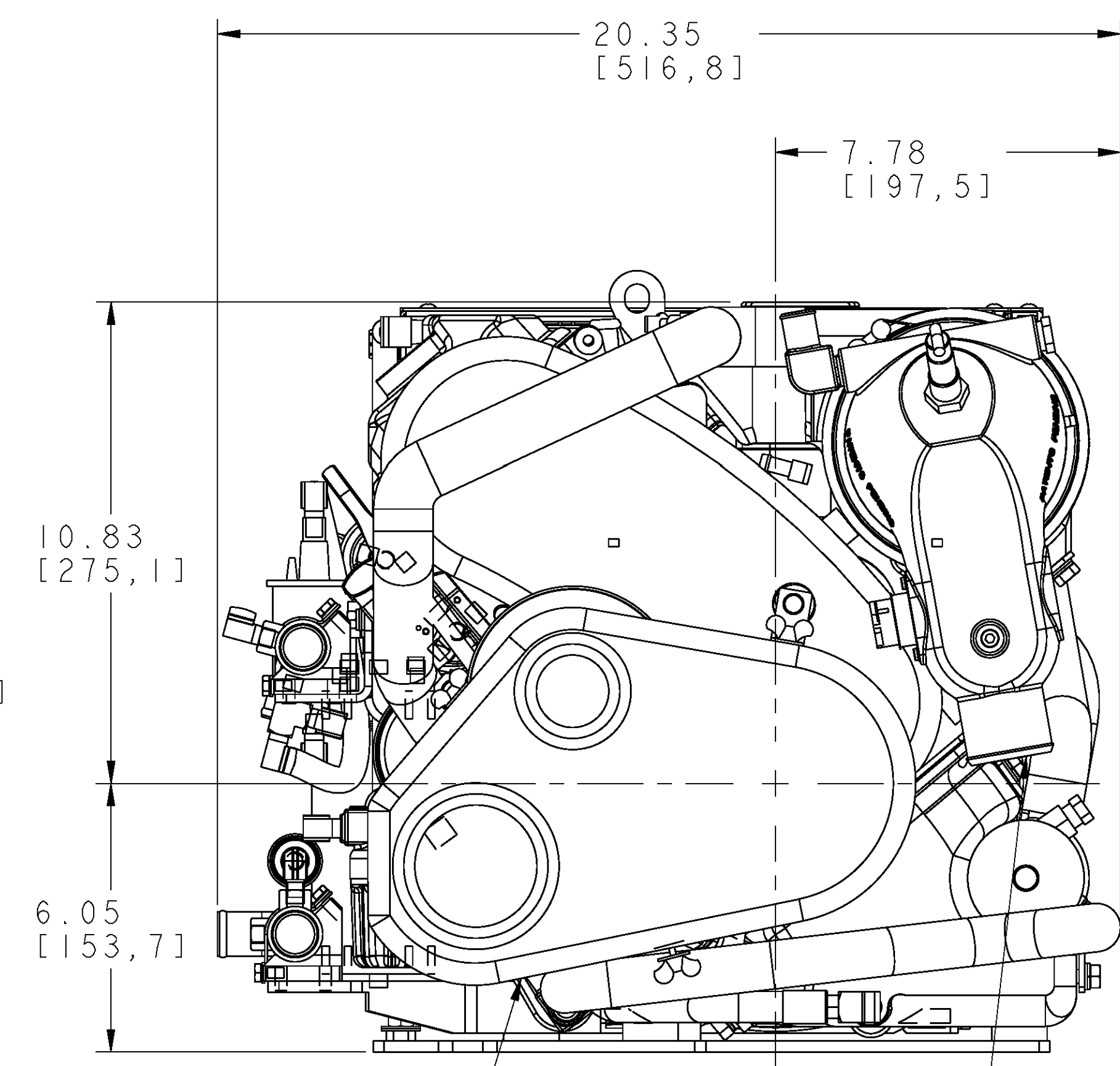
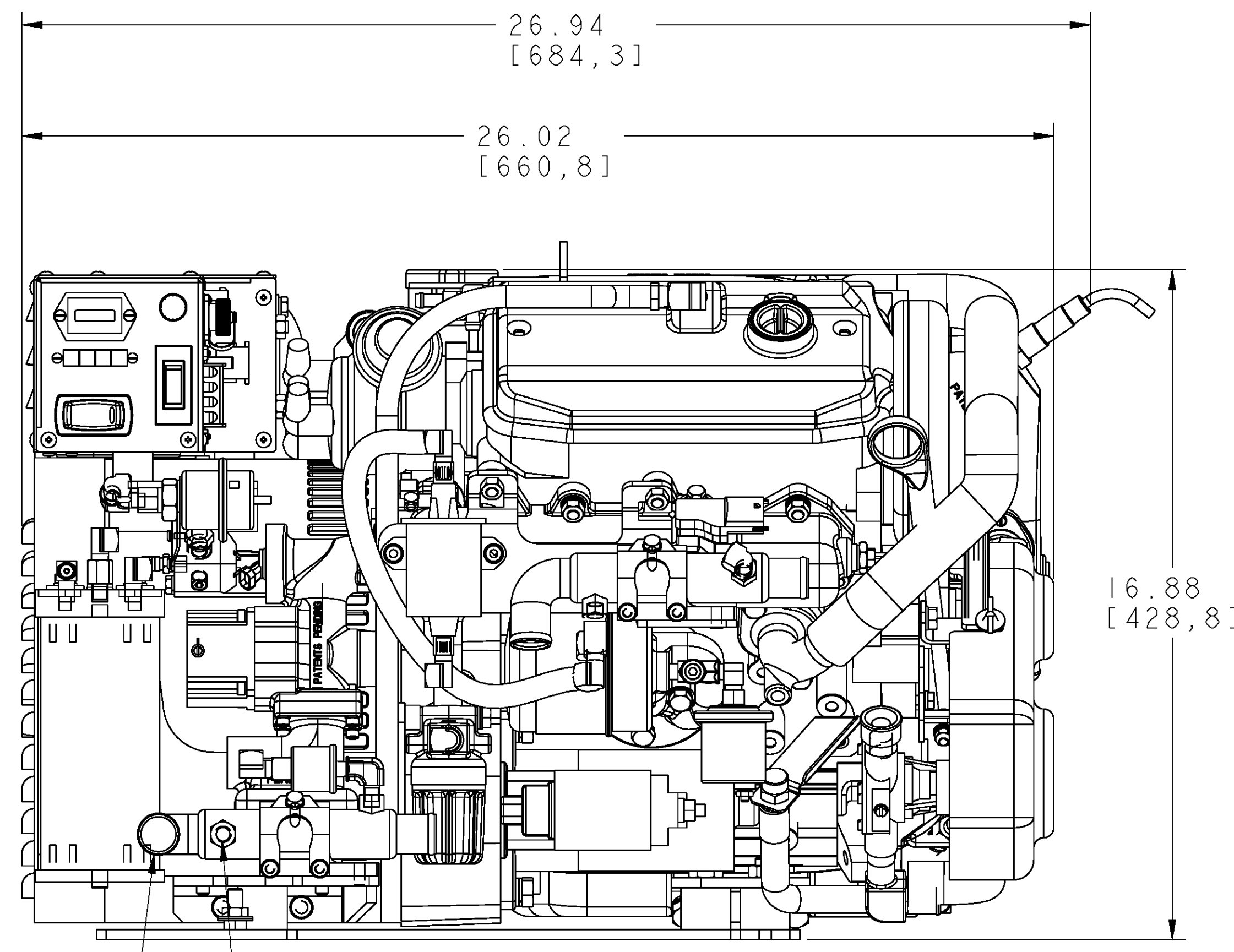
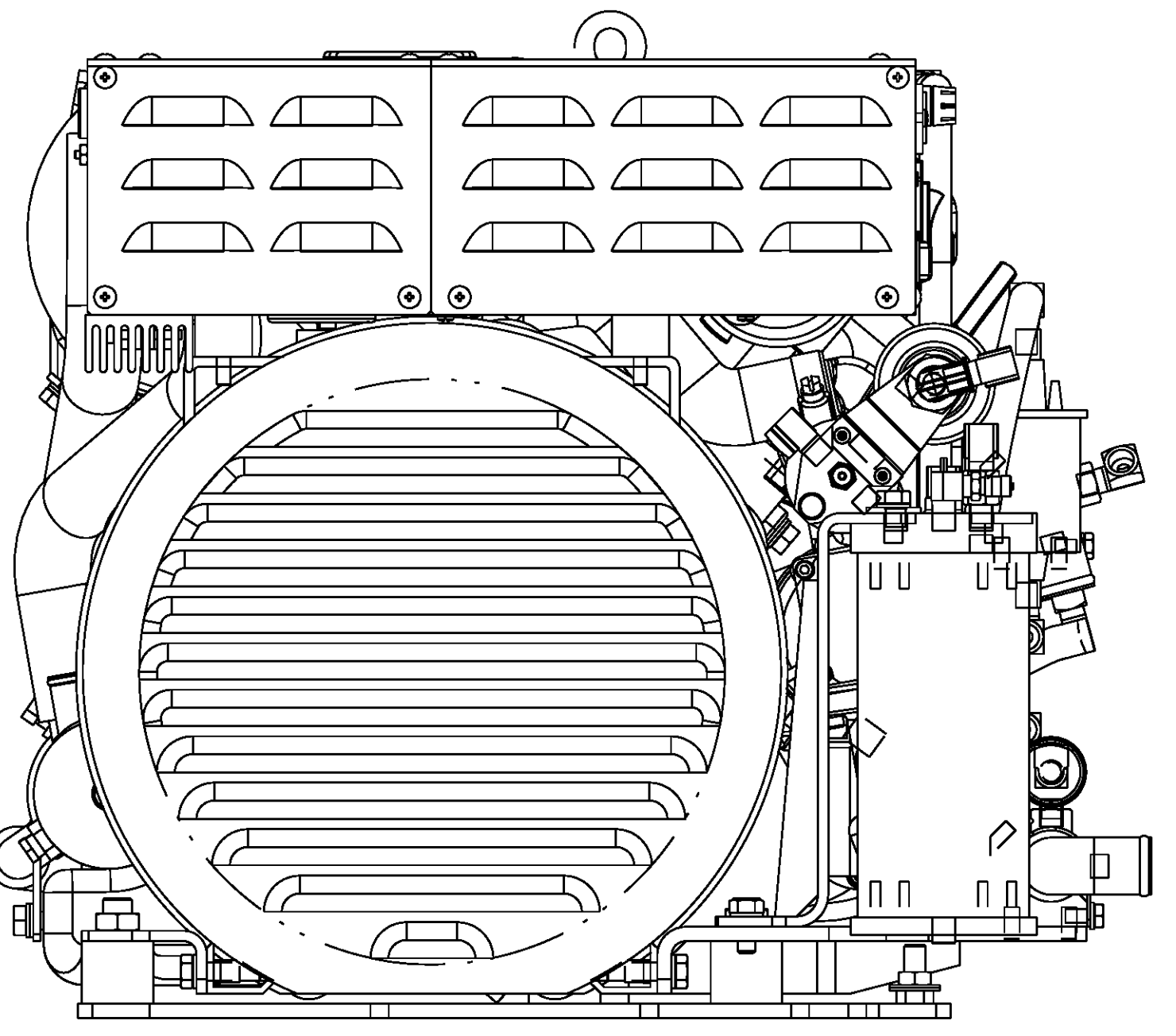


SCALE 0.250



SCALE 0.250



RAW WATER INLET
Ø1.00 I.D. HOSE

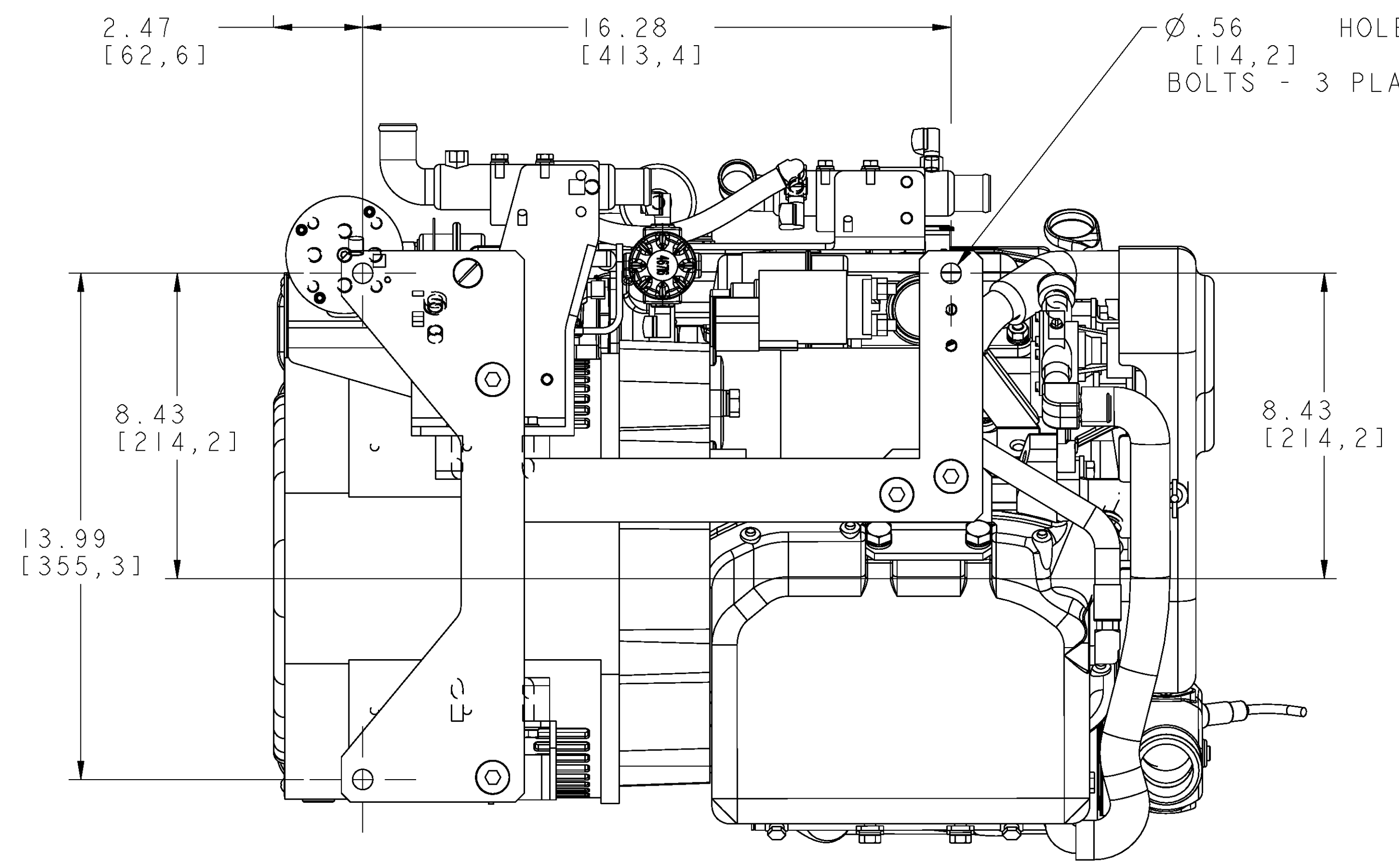
CUSTOMER FUEL CONNECTION
1/8-27 NPT FEMALE

BELT GUARD

EXHAUST OUTLET
Ø2.00 I.D. HOSE

RAW WATER DISCHARGE
Ø.75 I.D. HOSE

A.C. CONNECTION WIRING
OUTLET



Ø.56 HOLE FOR 1/2" LAG;
BOLTS - 3 PLACES.

NUMBERS IN BRACKETS ARE IN MILLIMETERS

TOLERANCES (UNLESS OTHERWISE NOTED)		WESTERBEKE CORPORATION TAUNTON MA. 02780	
INCHES	MILLIMETERS	TITLE	
.XX : .02	X :	INSTALLATION DRAWING	
.XXX : .005	.XX :	6.5KW.SBCG	
CAST : .03		DRAWN BY	DATE
FINISH : F		WJM	27/Ecb/04
		APPROVED BY	DATE
DIMENSIONS		SCALE	SIZE
INCHES		0.375	E
MILLIMETERS			
(WHEN APPLICABLE)		SHT. 1 OF 2	49243
			A