

PARTS DEPARTMENT BULLETIN

DATE: 18 APRIL 2006 **BULLETIN NUMBER:** 2006-4
TO: ALL MASTER DISTRIBUTORS AND WESTERBEKE/UNIVERSAL DEALERS
SUBJECT: PARTS LIST #036776 EDITION ONE DTD FEBRUARY 1990

A CHANGE HAS TAKEN PLACE AFFECTING THE CYLINDER HEAD ASSEMBLY USED ON THE MODELS 42B/FOUR PROPULSION ENGINE AND THE 12.5/9.4BTDA GENERATOR DRIVE ENGINE.

THIS CHANGE AFFECTS THE INTAKE AND EXHAUST VALVES. THE DIAMTER OF THE VALVE HEAD HAS BEEN INCREASED. THE CYLINDER HEAD ALSO HAS CHANGED TO ACCEPT THE LARGER DIAMETER VALVES.

THIS CHANGE AFFECTS ENGINE SERIAL NUMBERS 9440 AND HIGHER.

VALVE DIAMETER:	INTAKE VALVE (OLD 26.2MM) (PN#030508)	(NEW 31.2MM) (PN#038931)
	EXHAUST VALVE (OLD 24.2MM) (PN#030510)	(NEW 26.2MM) (PN#038932)

CYLINDER HEAD: OLD PN#037675 NEW PN#038930

ATTACHED ARE REVISED PARTS LIST PAGES 103/104 AND 109/110 THAT REFLECT THIS VALVE AND CYLINDER HEAD CHANGE.

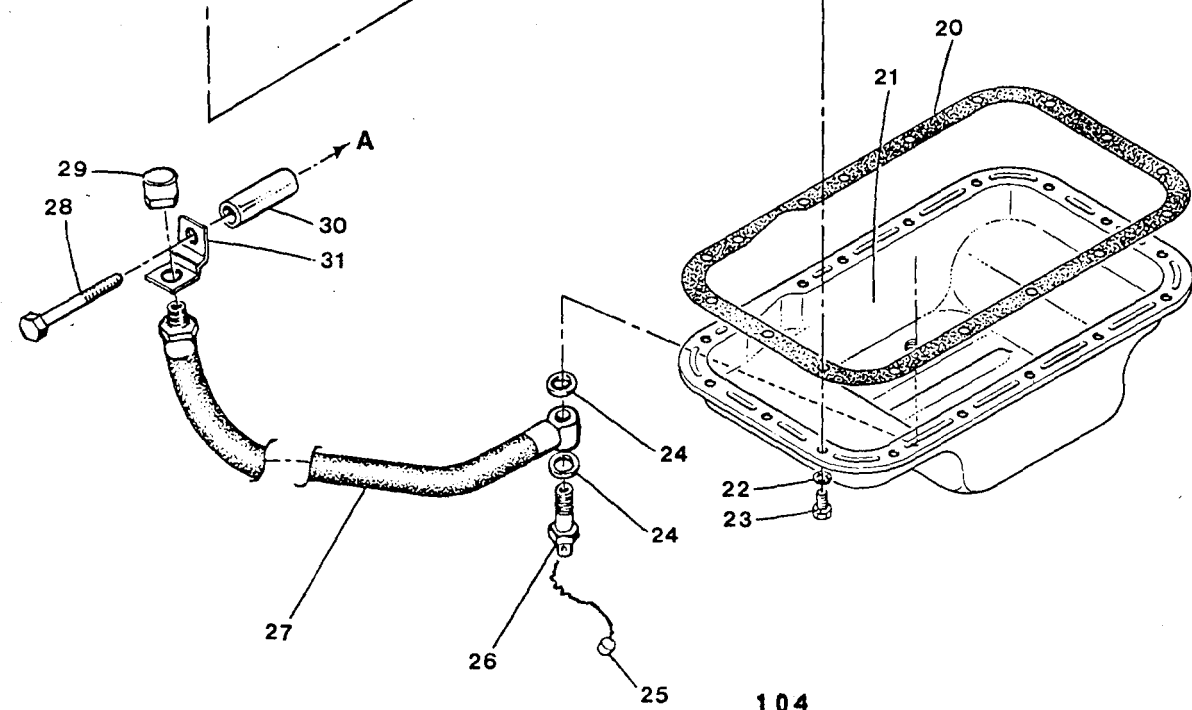
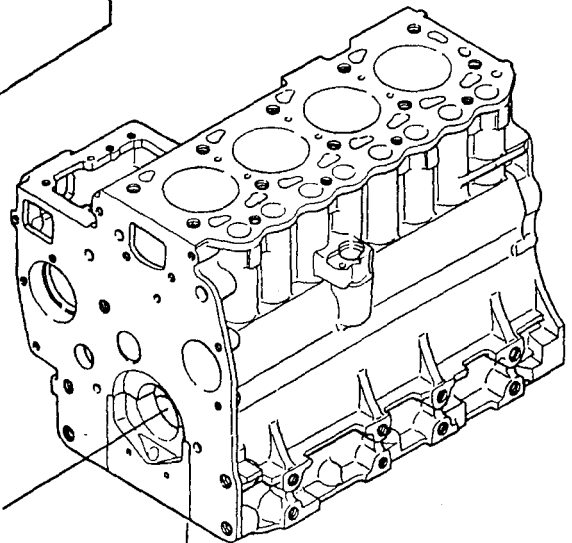
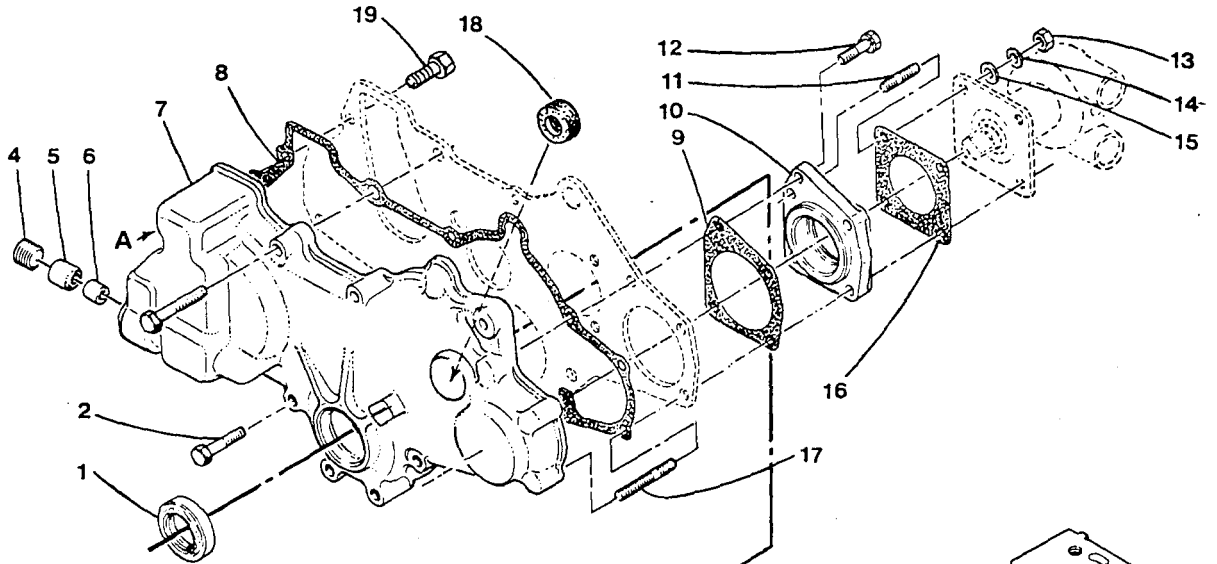
REMOVE EXISTING PAGES 103/104 AND 109/110 FROM YOUR PARTS LIST AND INSERT THESE NEW REVISED PAGES. FUTURE PARTS LIST PRINTINGS WILL REFLECT THESE CHANGES.



35B - 38B - 42B - 10.0 BTD - 11.0 BTD - 12.5 BTDA - CYLINDER HEAD

REF	PN	NAME	REMARKS	QUAN
1	018242	NUT	M 8 DIN 934 4 CYLINDER	2
2	030517	WASHER	4 CYLINDER	2
3	030780	SEAL	OIL-ROCKER COVER STUD 4 CYLINDER	2
4	030237	CAP	OIL FILLER 4 CYLINDER	1
5	030514	COVER	ROCKER INCL REF 6 4 CYLINDER	1
6	030219	CONNECTOR	BREATHER HOSE TO COVER	1
7	030516	GASKET	ROCKER COVER 4 CYLINDER	1
8-1	030506	GUIDE	VALVE 3 CYLINDER	6
8-2	030506	GUIDE	VALVE 4 CYLINDER	8
9-1	024373	PLUG	EXPANSION-25 3 CYLINDER	3
9-2	024373	PLUG	EXPANSION-25 4 CYLINDER	4
10-1	030512	BOLT	CYLINDER HEAD-LONG 3 CYLINDER	8
10-2	030512	BOLT	CYLINDER HEAD-LONG 4 CYLINDER	10
11-1	030243	WASHER	HEAD BOLT 3 CYLINDER	8
11-2	030243	WASHER	HEAD BOLT 4 CYLINDER	10
12-1	030383	BOLT	CYLINDER HEAD-SHORT 3 CYLINDER	3
12-2	030383	BOLT	CYLINDER HEAD-SHORT 4 CYLINDER	4
13	030717	PLUG	EXPANSION-45	1
14	030711	PLUG	1/8	1
15-1	037676	HEAD	CYLINDER INCL REF 8-9-13 35B, 10.0 BTD	1
15-2	037674	HEAD	CYLINDER INCL REF 8-9-13 38B, 11.0 BTD	1
15-3	037675	HEAD	CYLINDER INCL REF 8-9-13 42B, 12.5BTDA TO SERIAL NUMBER 9439	1
15-4	038930	HEAD	CYLINDER INCL REF 8-9-13 42B, 12.5BTDA FROM SERIAL NUMBER 9440 - up.	1
16-1	030131	EYE	LIFTING GENSET FRONT AND REAR	2
16-2	030131	EYE	LIFTING PROPULSION FRONT	1
17	019262	LOCKWASHER	M10 DIN 127	1
18	024952	CAPSCREW	M10 X 1.25 X 20 DIN 961	1
19-1	037661	GASKET	CYLINDER HEAD 35B, 10.0 BTD	1
19-2	030507	GASKET	CYLINDER HEAD 38B, 11.0 BTD	1
19-3	044849	GASKET	CYLINDER HEAD 42B, 12.5BTDA	1
20	030289	SEAL	ROCKER COVER CAPSCREW 3 CYLINDER	2
21	034672	CAPSCREW	M 8 X 11 DIN 933 3 CYLINDER	2
22-1	033126	CAP	OIL FILL INCL O-RING 3 CYLINDER	1
22-2	033123	O-RING		1
23	037671	COVER	ROCKER INCL REF 6 3 CYLINDER	1
24	030515	GASKET	ROCKER COVER 3 CYLINDER	1

35B - 38B - 42B - 10 BTD - 11 BTD - 12.5 BTDA - TIMING COVER AND SUMP



REF	PN	NAME	REMARKS	QUAN
1	030279	SNAPRING		2
2-1	031821	CAPSCREW	M10 X 1.25 X 70 DIN 961 3 CYLINDER	1
2-2	031821	CAPSCREW	M10 X 1.25 X 70 DIN 961 4 CYLINDER	2
3-1	030543	SHAFT	ROCKER ASSEMBLY 3 CYLINDER	1
3-2	030544	SHAFT	ROCKER ASSEMBLY 4 CYLINDER	1
4-1	030232	SPRING	ROCKER SHAFT 3 CYLINDER	2
4-2	030232	SPRING	ROCKER SHAFT 4 CYLINDER	3
5-1	031804	NUT	M10 X 1.25 JAM 3 CYLINDER	6
5-2	031804	NUT	M10 X 1.25 JAM 4 CYLINDER	8
6-1	030438	ROCKER	ARM 3 CYLINDER	6
6-2	030438	ROCKER	ARM 4 CYLINDER	8
7-1	030195	SCREW	ADJUSTING 3 CYLINDER	6
7-2	030195	SCREW	ADJUSTING 4 CYLINDER	8
8-1	030542	PUSHROD	3 CYLINDER	6
8-2	030542	PUSHROD	4 CYLINDER	8
9	035800	CAPSCREW	M 6 X 16 JIS INCL LOCKWASHER	2
10	030545	STUD	BRACKET AND COVER	2
11	019262	LOCKWASHER	M10 DIN 127	2
12	030440	WASHER		2
13	030299	BRACKET	ROCKER SHAFT 3 CYLINDER	3
13-2	030299	BRACKET	ROCKER SHAFT 4 CYLINDER	4
14-1	030241	LOCK	VALVE 3 CYLINDER	12
14-2	030241	LOCK	VALVE 4 CYLINDER	16
15-1	030240	SEAT	VALVE SPRING UPPER 3 CYLINDER	6
15-2	030240	SEAT	VALVE SPRING UPPER 4 CYLINDER	8
16-1	030346	SPRING	VALVE 3 CYLINDER	6
16-2	030346	SPRING	VALVE 4 CYLINDER	8
17-1	030242	SEAL	OIL 3 CYLINDER	6
17-2	030242	SEAL	OIL 4 CYLINDER	8
18-1	037654	SEAT	VALVE SPRING LOWER 3 CYLINDER	6
18-2	037654	SEAT	VALVE SPRING LOWER 4 CYLINDER	8
19-1	030510	VALVE	EXHAUST 3 CYLINDER (24.2MM DIA)	3
19-2	038932	VALVE	EXHAUST 3 CYLINDER (26.2MM DIA)	3
19-3	030510	VALVE	EXHAUST 4 CYLINDER (24.2MM DIA)	4
19-4	038932	VALVE	EXHAUST 4 CYLINDER (26.2MM DIA)	4
20-1	030361	TAPPET	3 CYLINDER	6
20-2	030361	TAPPET	4 CYLINDER	8
21-1	030508	VALVE	INTAKE 3 CYLINDER (26.2MM DIA)	3
21-2	038931	VALVE	INTAKE 3 CYLINDER (31.2MM DIA)	3
21-3	030508	VALVE	INTAKE 4 CYLINDER (26.2MM DIA)	4
21-4	038931	VALVE	INTAKE 4 CYLINDER (31.2MM DIA)	4
22-1	030546	CAMSHAFT	INJECTION PUMP 3 CYLINDER	1
22-2	030547	CAMSHAFT	INJECTION PUMP 4 CYLINDER	1
23	030273	KEY	GEAR TO SHAFT	1
24	030434	BEARING	INJECTION PUMP CAMSHAFT	1
25-1	031787	WASHER	M 8 DIN 125	1
25-2	031786	LOCKWASHER	M 8 DIN 127	1
26	016789	CAPSCREW	M 8 X 16 DIN 933	1
27	030435	GEAR	INJECTION PUMP CAMSHAFT	1
28	030541	GEAR	IDLER	1
29	030437	GEAR	CAMSHAFT	1
30	030202	BEARING	PUMP GEAR	1
31	030590	GEAR	SEA WATER PUMP DRIVE	1
32	030198	BEARING	PUMP GEAR	1
33-1	037280	CAMSHAFT	3 CYLINDER	1
33-2	037279	CAMSHAFT	4 CYLINDER	1
34	030275	KEY	GEAR TO CAMSHAFT	1

