

PARTS LIST

WESTERBEKE

60 Hz

**5.0 BCG / BCGA
7.0 BCGC / BCGD**

50 Hz

**4.2 BCG / BCGA
5.8 BCGC / BCGD**

Marine Gasoline Generators

LOW PROFILE

PRELIMINARY PUBLICATION

1/19/2012



 *Member National Marine Manufacturers Association*

Gasoline with an ETHANOL content higher than 10% (E10) is **not allowed and may void warranty.**



WESTERBEKE™
Engines & Generators

IMPORTANT

PRODUCT SOFTWARE DISCLAIMER

Product software of all kinds such as brochures, drawings, technical data, operator's and workshop manuals, parts lists and parts price lists, and other information, instructions and specifications provided from sources other than Westerbeke, is not within Westerbeke's control and, accordingly, is provided to Westerbeke customers only as a courtesy and service. Westerbeke cannot be responsible for the content of such software, makes no warranties or representations with respect thereto, including the accuracy, timeliness or completeness thereof, and will in no event be liable for any type of damages or injury incurred in connection with, or arising out of, the furnishing or use of such software.

For example, components and subassemblies incorporated in Westerbeke's products and supplied by others (such as engine blocks, fuel systems and components, transmissions, electrical components, pumps and other products) are generally supported by their manufacturers with their own software, and Westerbeke must depend on such software for the design of Westerbeke's own product software. Such software may be outdated and no longer accurate. Routine changes made by Westerbeke's suppliers, of which Westerbeke rarely has notice in advance, are frequently not reflected in the supplier's software until after such changes take place.

Westerbeke customers should also keep in mind the time span between printings of Westerbeke product software, and the unavoidable existence of earlier, non-current Westerbeke software editions in the field. Additionally, most Westerbeke products include customer-requested special features that frequently do not include complete documentation.

In summation, product software provided with Westerbeke products, whether from Westerbeke or other suppliers, must not and cannot be relied upon exclusively as the definitive authority on the respective product. It not only makes good sense but is imperative that appropriate representatives of Westerbeke or the supplier in question be consulted to determine the accuracy and currency of the product software being consulted by the customer.

This Parts List covers a family of generators where most of the parts are common, however be sure to note the proper parts for your application. Also references in the book refer to the 60 Hertz model but are applicable for the corresponding 50 Hertz model listed in the chart below.

60 Hz

50 Hz

5.0 BCG / BCGA

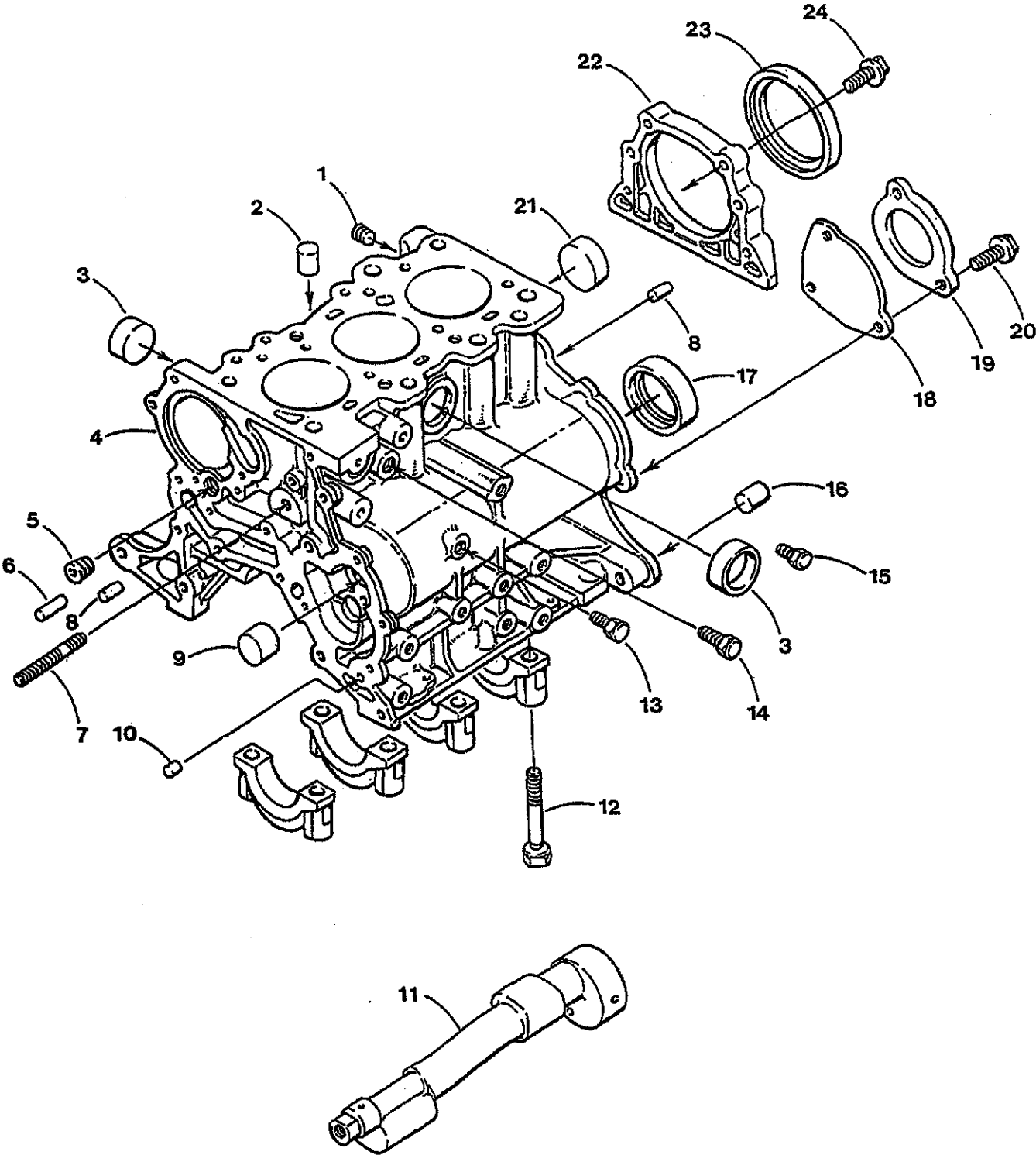
4.2 BCG / BCGA

7.0 BCGC / BCGD

5.9 BCGC / BCGD

PAGE	DESCRIPTION
100	CYLINDER BLOCK
102	CYLINDER HEAD
104	CRANKSHAFT - PISTONS
106	ROCKER SHAFT - CAMSHAFT
108	TIMING BELT COVER
110	TIMING CASE - LUBE OIL PUMP
112	LUBE OIL FILTER - SUMP - FRONT MOUNTS
114	EXHAUST MANIFOLD
116	FRESH WATER COOLING SYSTEM
118	SEA WATER SYSTEM
120	SEA WATER PUMP
122	BELL HOUSING - FLYWHEEL
124	FUEL LIFT PUMP - FUEL FILTER
126	DISTRIBUTOR - COIL - SPARKPLUGS
128	DISTRIBUTOR
130	INTAKE MANIFOLD
132	AIR INTAKE - CARBURETOR MOUNTING
134	CARBURETOR
136	BACK END - GENERATOR - REAR MOUNTS (5.0 BCGA / 7.0 BCGC)
138	BACK END - GENERATOR - REAR MOUNTS (5.0 BCG / 7.0 BCGD)
140	PANEL BOX ASSEMBLY
142	PANEL BOX ASSEMBLY
144	REMOTE CONTROL PANEL
146	REMOTE LUBE OIL FILTER
148	MISCELLANEOUS

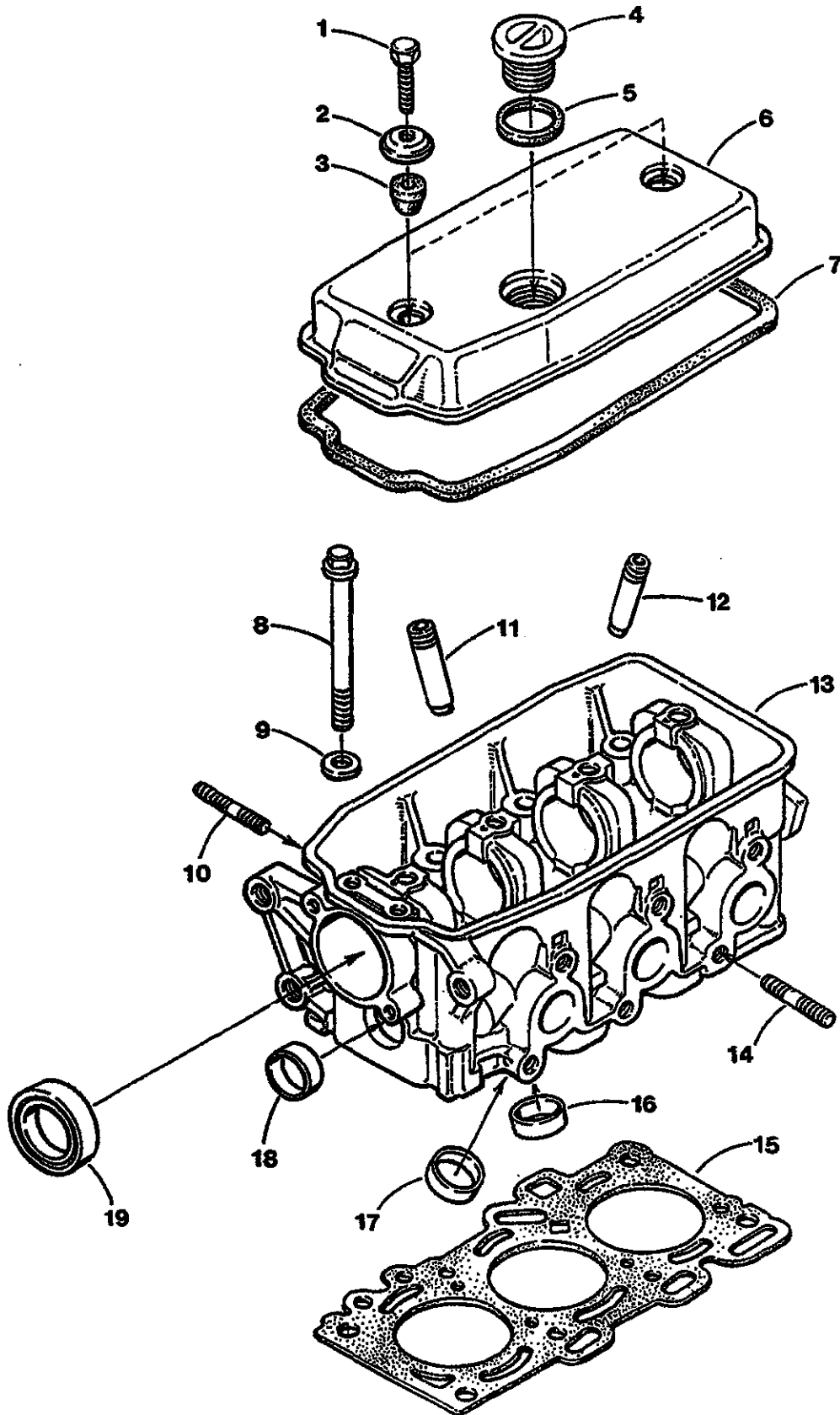
WESTERBEKE LOW PROFILE GENERATOR - CYLINDER BLOCK



WESTERBEKE LOW PROFILE GENERATOR - CYLINDER BLOCK

REF	PN	NAME / REMARKS	QUAN
1	030711	PLUG 1/8-28 BSPT	1
2	043070	DOWEL,TUBULAR	2
3	024374	PLUG,EXPANSION 30 MM DIN 443	3
4	043651	ENGINE,BLOCK ASSY 4.5-9.6 BCGT	1
5	030712	PLUG 1/4-19 BSPT	1
6	042981	DOWEL	1
7	031282	STUD M 8x45 DIN 939	1
8	041417	DOWEL 6MM x 14MM DIN 6325	3
9	043002	BEARING,BALANCE SHAFT FRONT	1
10	033212	DOWEL,TUBULAR	4
11	043047	SHAFT,BALANCE	1
12	036916	BOLT,MAIN BEARING CAP	8
13	030711	PLUG 1/8-28 BSPT	1
14	013341	PLUG 1/4 NPT	1
15	042945	PLUG 1/16 BSPT	1
16	043070	DOWEL,TUBULAR	2
17	043003	BEARING,BALANCE SHAFT REAR	1
18	043027	GASKET,BALANCE SHAFT COVER	1
19	042970	COVER,BALANCE SHAFT REAR	1
20	033669	CAPSCREW M 6x16 JIS-FLANGE	3
21	024349	PLUG,EXPANSION 35 MM DIN 443	1
22	042976	FLANGE,OIL SEAL REAR CRANK	1
23	043046	SEAL,OIL	1
24	033669	CAPSCREW M 6x16 JIS-FLANGE	4

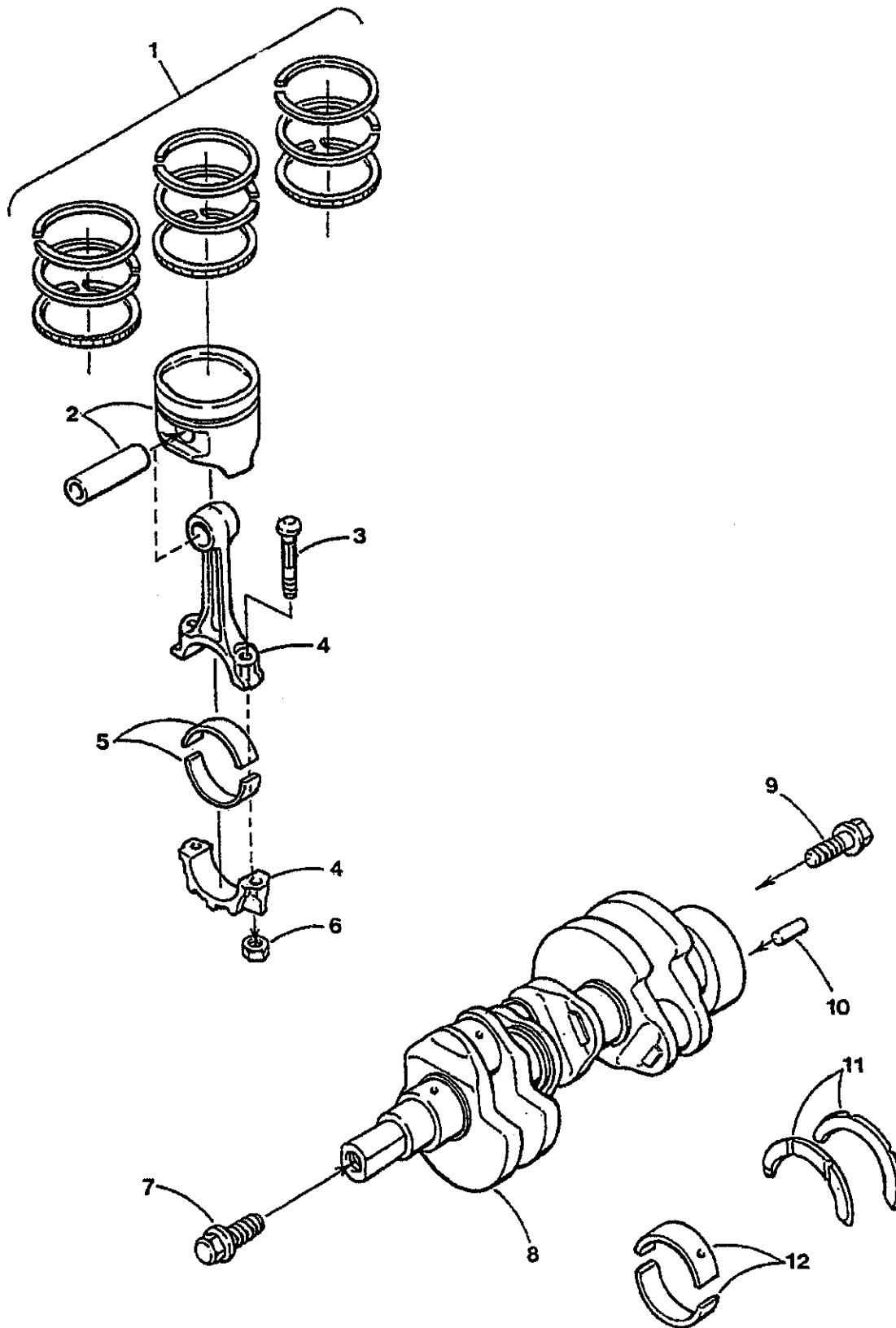
WESTERBEKE LOW PROFILE GENERATOR - CYLINDER HEAD



WESTERBEKE LOW PROFILE GENERATOR - CYLINDER HEAD

REF	PN	NAME / REMARKS	QUAN
1	043062	CAPSCREW M 6x25	2
2	042975	WASHER,ROCKER COVER SCREW	2
3	042960	SEAL,OIL-ROCKER COVER	2
4	042271	CAP,OIL FILL	1
5	042431	GASKET,OIL FILL CAP	1
6	046799	COVER,ROCKER	1
7	042688	GASKET,ROCKER COVER	1
8	042968	BOLT,CYLINDER HEAD	8
9	042946	WASHER,CYLINDER HEAD BOLT	8
10-1	015830	STUD M 8x25 (INTAKE)	8
10-2	031787	WASHER M 8 (FLAT)	8
10-3	031786	LOCKWASHER M 8	8
10-4	018242	NUT M 8	8
11-1	042955	GUIDE,VALVE INTAKE 0.05	3
11-2	042956	GUIDE,VALVE INTAKE 0.25	3
11-3	042957	GUIDE,VALVE INTAKE 0.50	3
12-1	042949	GUIDE,VALVE EXHAUST 0.05	3
12-2	042950	GUIDE,VALVE EXHAUST 0.25	3
12-3	042951	GUIDE,VALVE EXHAUST 0.50	3
13	043028	HEAD,CYLINDER	1
14	015830	STUD M 8x25 (EXHAUST)	6
15	043029	GASKET,HEAD	1
16-1	042982	SEAT,VALVE INTAKE 0.30	3
16-2	042983	SEAT,VALVE INTAKE 0.60	3
17-1	043000	SEAT,VALVE EXHAUST 0.30	3
17-2	043001	SEAT,VALVE EXHAUST 0.60	3
18	024374	PLUG,EXPANSION 30 MM	1
19	043017	SEAL,OIL CAMSHAFT	1

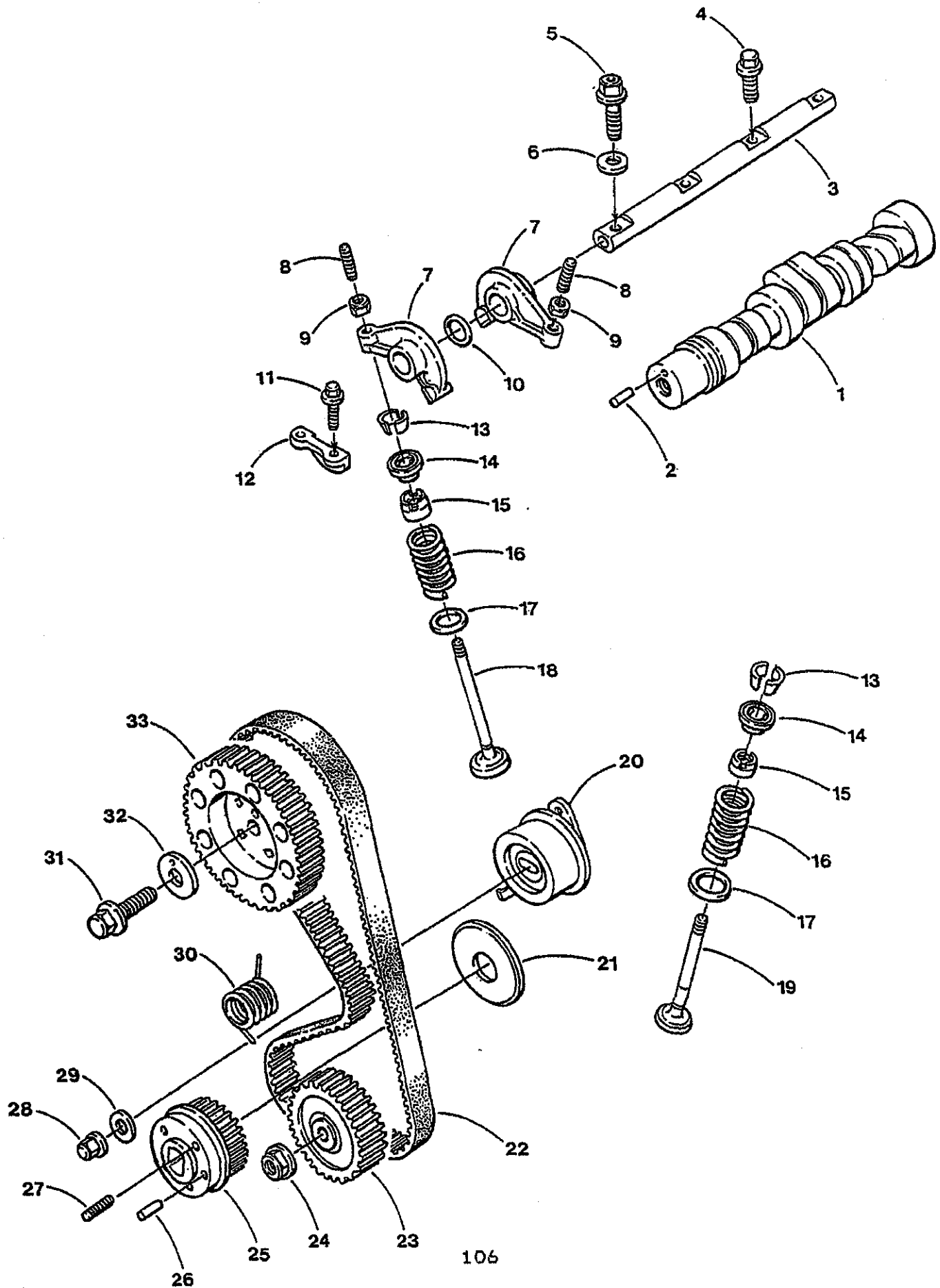
WESTERBEKE LOW PROFILE GENERATOR - CRANKSHAFT - PISTONS



WESTERBEKE LOW PROFILE GENERATOR - CRANKSHAFT - PISTONS

REF	PN	NAME / REMARKS	QUAN
1-1	043014	RING SET STD ENGINE SET	1
1-2	043015	RING SET 0.50 ENGINE SET	1
1-3	043016	RING SET 1.00 ENGINE SET	1
2-1	043010	PISTON STD	3
2-2	043012	PISTON 0.50	3
2-3	043013	PISTON 1.00	3
3	043025	BOLT,CONNECTING ROD	6
4	043032	ROD,CONNECTING	3
5-1	043043	BEARING,ROD BROWN	3
5-2	043044	BEARING,ROD COLORLESS	3
5-3	043045	BEARING,ROD BLUE	3
6	043033	NUT,CONNECTING ROD BOLT	6
7	042980	BOLT,CRANKSHAFT PULLEY	1
8	043034	CRANKSHAFT	1
9	042964	BOLT,FLYWHEEL	5
10	041417	DOWEL 6MM x 14MM	1
11	043037	THRUSTWASHER SET STD	1
12-1	043038	BEARING,MAIN BROWN	4
12-2	043039	BEARING,MAIN COLORLESS	4
12-3	043040	BEARING,MAIN BLUE	4
12-4	043041	BEARING,MAIN YELLOW	4
12-5	043042	BEARING,MAIN GREEN	4

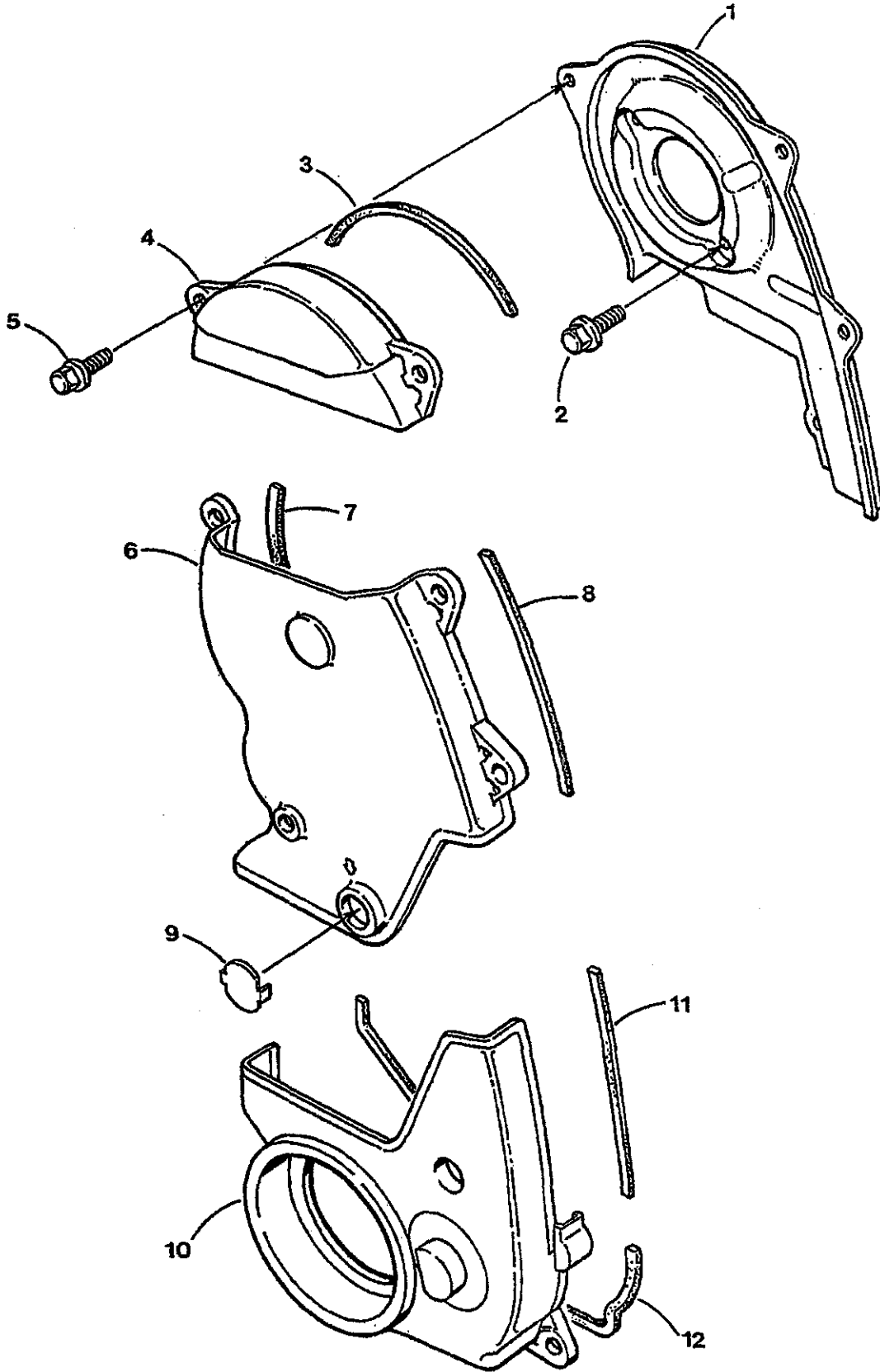
WESTERBEKE LOW PROFILE GENERATOR - ROCKER SHAFT - CAM SHAFT



WESTERBEKE LOW PROFILE GENERATOR - ROCKER SHAFT - CAM SHAFT

REF	PN	NAME / REMARKS	QUAN
1	043023	CAMSHAFT	1
2	043011	PIN,CAMSHAFT	1
3	042994	SHAFT,ROCKER	1
4	042995	BOLT,ROCKER SHAFT W/WASHER	2
5	042992	BOLT,ROCKER SHAFT	2
6	042993	WASHER,ROCKER SHAFT BOLT	2
7	042971	ROCKER	6
8	042977	SCREW,ROCKER ADJUSTING	6
9	042948	NUT,ROCKER ADJUST	6
10	042961	WASHER,ROCKER SHAFT	3
11	043064	CAPSCREW M 6x14	2
12	042987	PLATE,CAMSHAFT THRUST	1
13	042952	USE 30241 COLLET,VALVE	12
14	042962	SEAT,VALVE SPRING UPPER	6
15	030242	SEAL,VALVE	6
16	042999	SPRING,VALVE	6
17	042965	SEAT,VALVE SPRING LOWER	6
18	042978	VALVE,INTAKE	3
19	042979	VALVE,EXHAUST	3
20	042990	TENSIONER,TIMING BELT	1
21	042996	FLANGE,CRANKSHAFT TIMNG PULLEY	1
22	043036	BELT,TIMING	1
23	043021	PULLEY,OIL PUMP	1
24	042963	NUT,OIL PUMP PULLEY	1
25	043024	PULLEY,CRANKSHAFT TIMING BELT	1
26	043068	PIN,SPRING	1
27	042894	PIN,CRANKSHAFT TO PULLEY	4
28	033668	NUT M 8	1
29	043067	WASHER,TENSIONER	1
30	043009	SPRING,TENSIONER	1
31	041429	CAPSCREW M10x1.25x30	1
32	042954	WASHER,CAMSHAFT TIMING PULLEY	1
33	043008	PULLEY,CAMSHAFT TIMING BELT	1

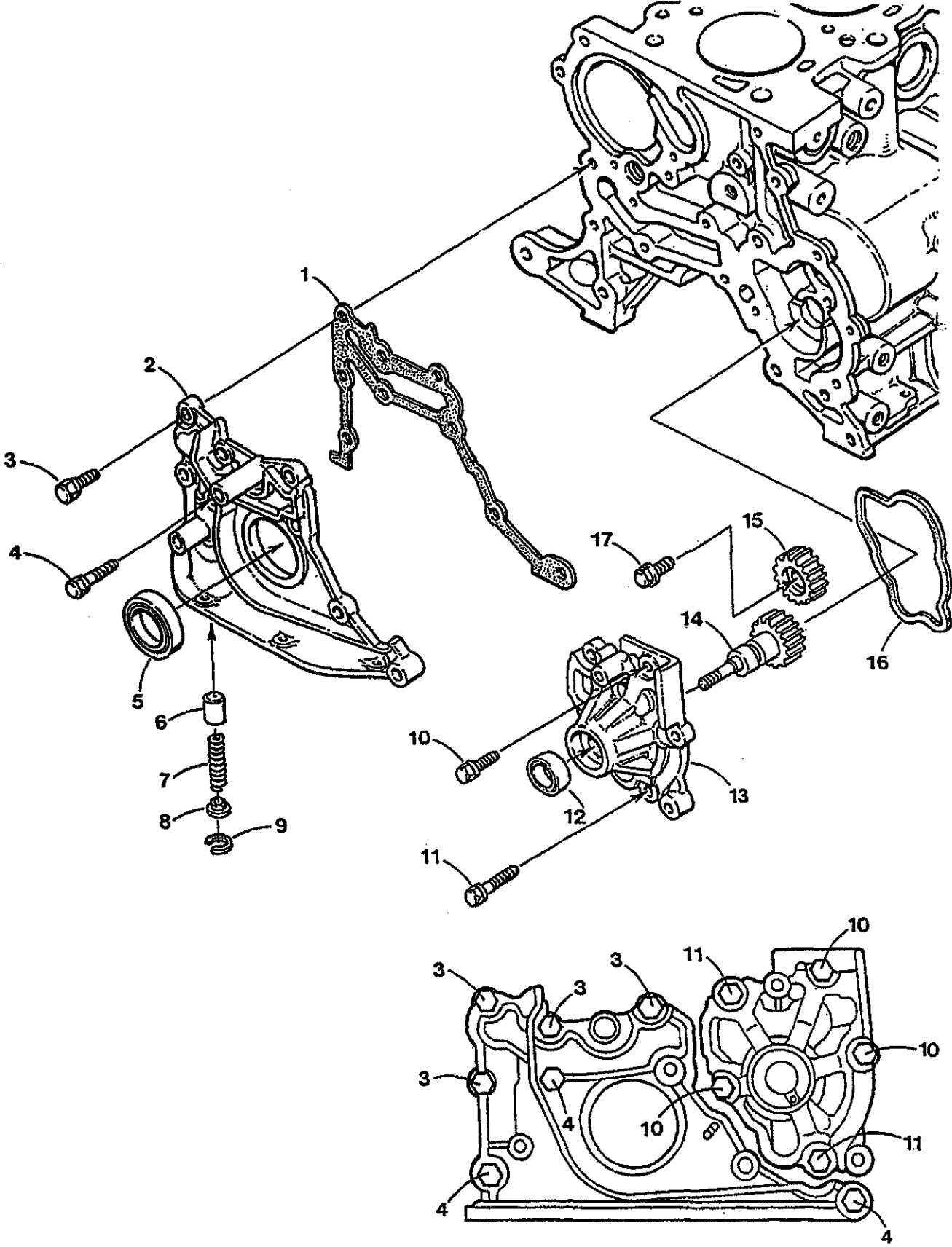
WESTERBEKE LOW PROFILE GENERATOR - TIMING BELT COVER



WESTERBEKE LOW PROFILE GENERATOR - TIMING BELT COVER

REF	PN	NAME / REMARKS	QUAN
1	043019	COVER,TIMING BELT TOP REAR	1
2	033669	CAPSCREW M 6x16	3
3	042985	GASKET,TIMING BELT COVER	1
4	043031	COVER,TIMING BELT TOP	1
5	033669	CAPSCREW M 6x16	6
6	043007	COVER,TIMING BELT UPPER	1
7	042988	GASKET,TIMING BELT COVER	1
8	042985	GASKET,TIMING BELT COVER	1
9	042947	COVER,TIMING BELT ACCESS	1
10	042989	COVER,TIMING BELT LOWER	1
11	042967	GASKET,TIMING BELT COVER	1
12	042966	GASKET,TIMING BELT COVER	1

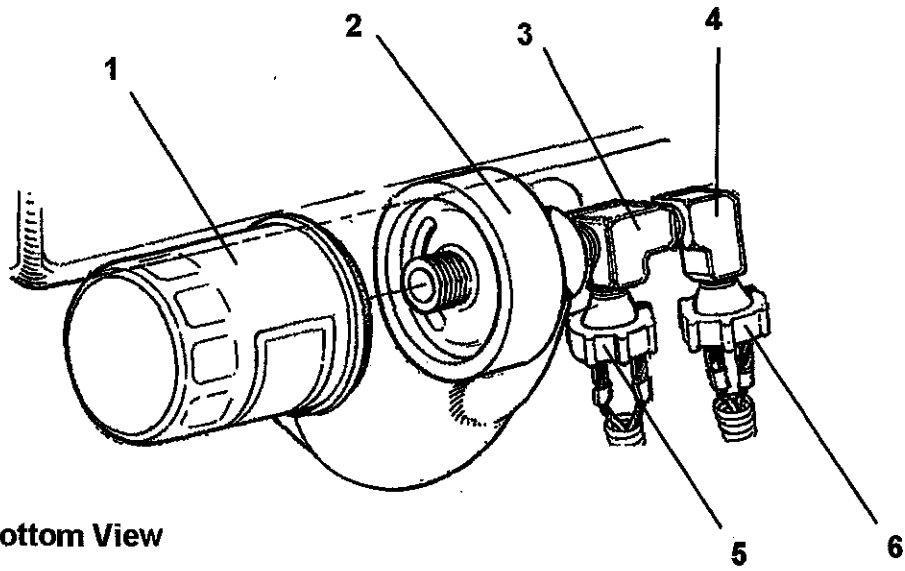
WESTERBEKE LOW PROFILE GENERATOR - TIMING CASE - LUBE OIL PUMP



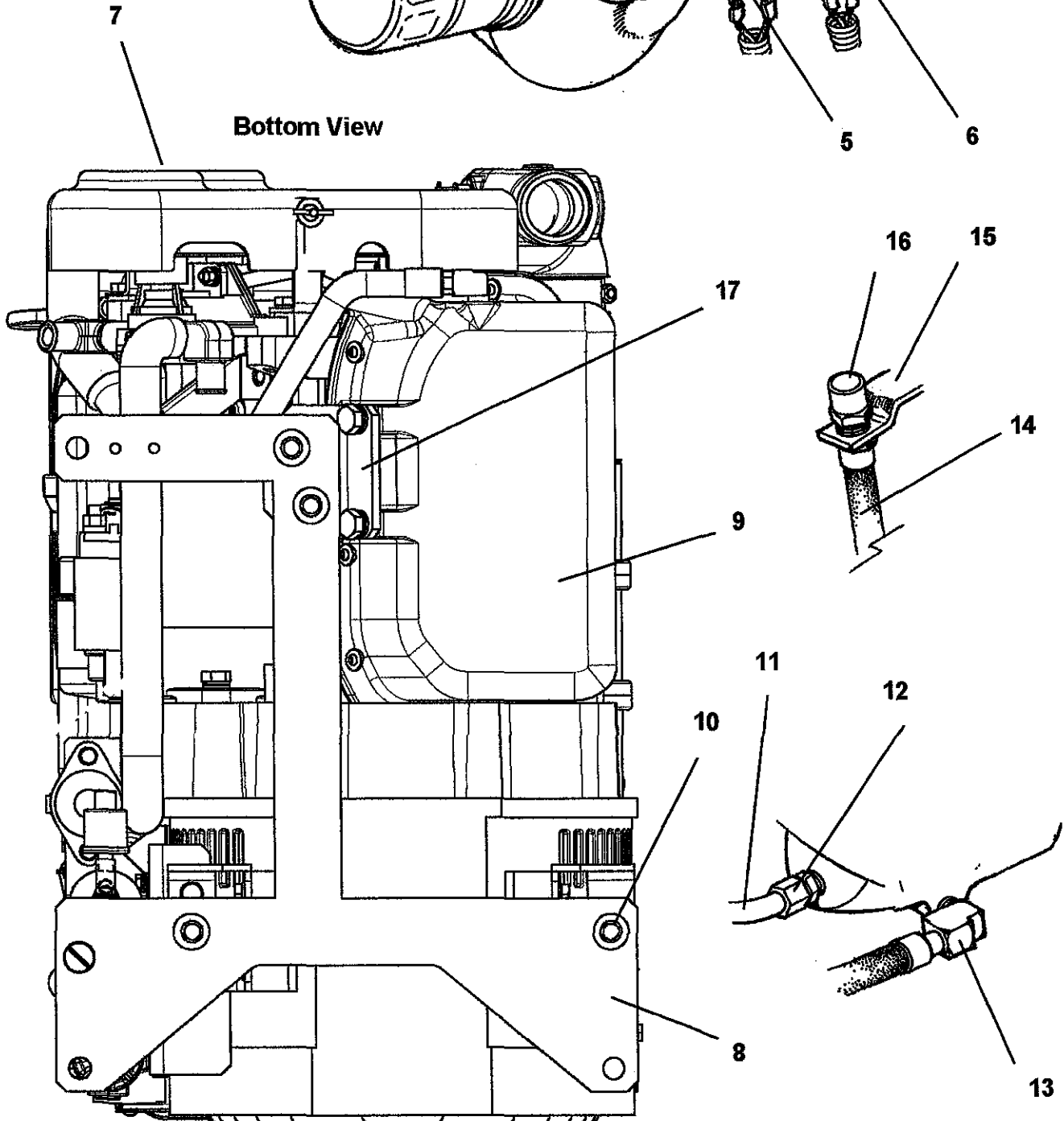
WESTERBEKE LOW PROFILE GENERATOR - TIMING CASE - LUBE OIL PUMP

REF	PN	NAME / REMARKS	QUAN
1	043030	GASKET,TIMING CASE TO BLOCK	1
2	042997	CASE,TIMING	1
3	043065	CAPSCREW M 6x18	6
4	043066	CAPSCREW M 6x30	3
5	043048	SEAL,OIL	1
6	042958	PLUNGER,OIL RELIEF VALVE	1
7	042959	SPRING,OIL RELIEF VALVE	1
8	043004	RETAINER,OIL RELIEF VALVE	1
9	043069	RING,RETAINING	1
10	043065	CAPSCREW M 6x18	3
11	043066	CAPSCREW M 6x30	2
12	043018	SEAL,OIL PUMP	1
13	043022	PUMP,OIL	1
14	042972	GEAR,OIL PUMP DRIVE	1
15	042973	GEAR,OIL PUMP	1
16	042969	GASKET,OIL PUMP	1
17	042953	BOLT,OIL PUMP GEAR	1

WESTERBEKE LOW PROFILE GENERATOR - OIL FILTER - SUMP - FRONT MOUNTS



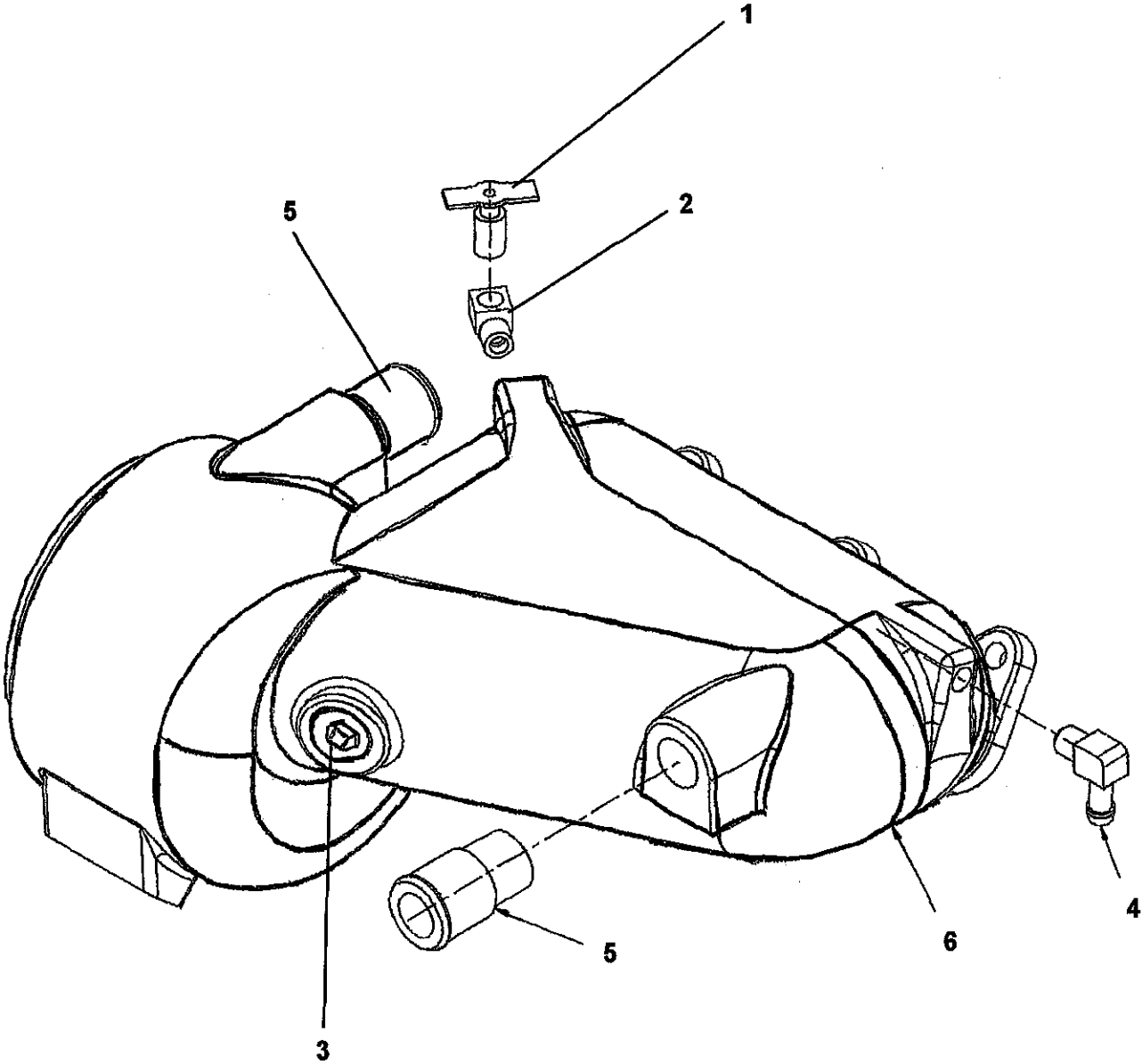
Bottom View



WESTERBEKE LOW PROFILE GENERATOR - OIL FILTER - SUMP - FRONT MOUNT

REF	PN	NAME / REMARKS	QUAN
1	036918	FILTER,OIL	1
2-1	046279	ADAPTER,OIL FILTER	1
2-2	041323	GASKET,LUBE OIL ADAPTER	1
2-3	034663	NIPPLE,OIL FILTER	1
2-4	024523	PLUG 1/8 NPT	2
3	046999	TEE 1/8NPT	1
4	013340	ELBOW 1/8NPT	1
5	037323	SWITCH,OIL PRESSURE	1
6	011552	SWITCH,OIL PRESSURE	1
7	046425	GUARD,BELT	1
8	046747	BASE,GENSET	1
9-1	046285	SUMP,OIL	1
9-2	042020	GASKET,SUMP	1
10	046272	ISOLATOR,GEN	4
11-1	046434	TUBE,DIPSTICK	1
11-2	048810	DIPSTICK,LOW PROFILE	1
12	023894	CONNECTOR,MALE	1
13	013475	ELBOW 1/4NPT 90	1
14	046785	HOSE,SUMP DRAIN	1
15	037198	BRACKET,SUMP DRAIN HOSE	1
16	024905	CAP 1/4 NPT	1
17	046165	MOUNT,FRONT	1

WESTERBEKE LOW PROFILE GENERATOR - EXHAUST MANIFOLD



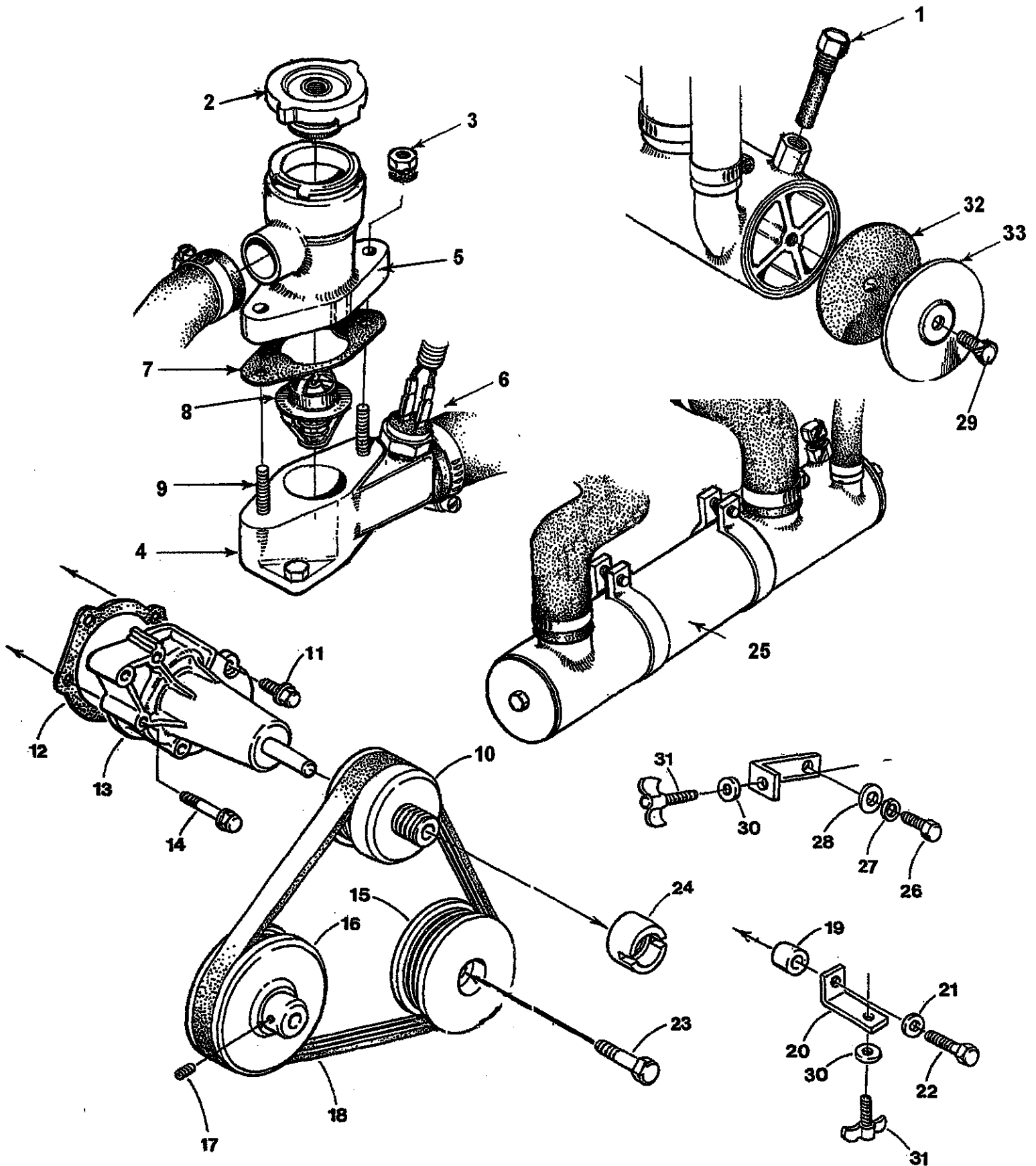
WESTERBEKE LOW PROFILE GENERATOR - EXHAUST MANIFOLD

REF	PN	NAME / REMARKS	QUAN
1	011471	PETCOCK	1
2	013340	ELBOW 1/8NPT	1
3	046777	PLUG 1/2 NPT	1
4	024907	ELBOW 1/8NPT x 5/16 HOSE	1
5	036618	NIPPLE	2
6	047973	MANIFOLD,EXHAUST ASSY (includes 1 through 5 and catalyst)	1

Not shown on illustration.

	049224	EYE,LIFTING LOW PROFILE	1
--	--------	-------------------------	---

WESTERBEKE LOW PROFILE GENERATOR - FRESH WATER COOLING SYSTEM



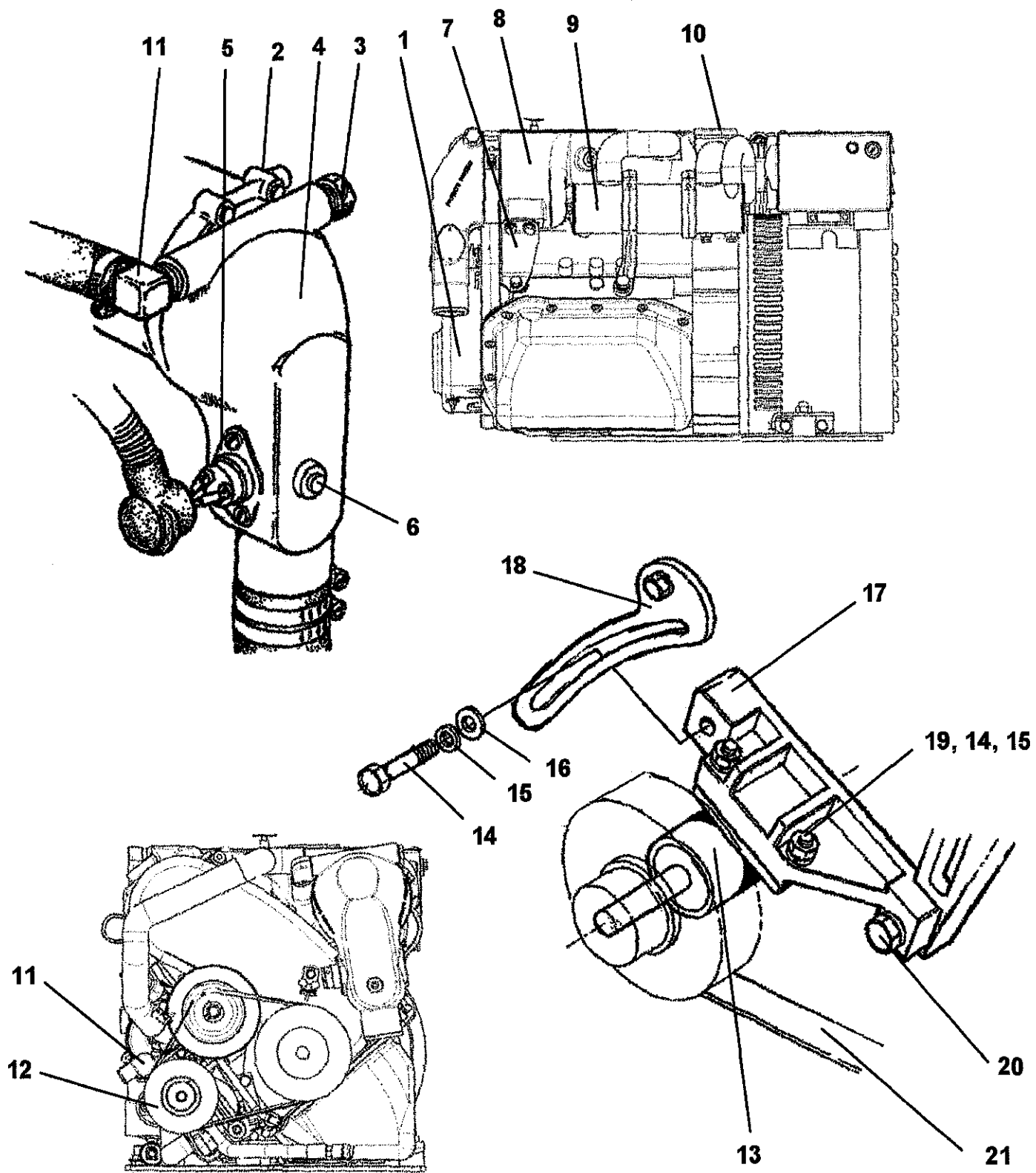
WESTERBEKE LOW PROFILE GENERATOR - FRESH WATER SYSTEM

REF	PN	NAME / REMARKS	QUAN
1	011885	ZINC	1
2	024306	CAP,PRESSURE 15PSI	1
3	045545	NUT M 6	2
4	046277	HOUSING,THERMOSTAT LWR 5.0 BCG	1
5	046275	HOUSING,THERMOSTAT 5.0 BCG	1
6	039550	SWITCH,TEMPERATURE 210F	1
7	046124	GASKET,THERMOSTAT 5.0 BCG	1
8	039378	THERMOSTAT 160F 4.5-9.6 BCGT	1
9	045125	STUD M 6x20	2
10	042797	PULLEY,FRESH WATER PUMP	1
11	043065	CAPSCREW M 6x18	2
12	043005	GASKET,FRESH WATER PUMP	1
13	043809	PUMP,FRESH WATER (INC. GASKET, PULLEY AND NUT)	1
14	301590	CAPSCREW M 6x35	3
15	046736	PULLEY,CRANKSHAFT 1GR	1
16	046734	PULLEY,SEA WATER PUMP 5.0 BCG	1
17	011357	SETSCREW 5/16NC X 3/8 SOCKET	1
18	046813	BELT,POLY-V 3GR	1
19	021722	SPACER	1
20-1	033380	BRACKET,BELT GUARD (RIGHT SIDE)	1
20-2	046541	BRACKET,BELT GUARD (BOTTOM)	1
20-3	046431	BRACKET,BELT GUARD (TOP)	1
21	031783	LOCKWASHER M 6	3
22	013590	CAPSCREW M 6x30	1
23	042980	BOLT,CRANKSHAFT PULLEY	1
24	042800	NUT,FRESH WATER PUMP	1
25	047106	EXCHANGER,HEAT (INC. CLAMPS)	1
26	017196	CAPSCREW M 8x20	2
27	031783	LOCKWASHER M 6	3
28	031784	WASHER M 6	3
29	054505	CAPSCREW 5/16NCx1/2 SS	2
30	033372	WASHER	3
31	033228	WINGSCREW 10-32 x 1/2	3
32	046519	GASKET,EXCHANGER 2-1/4	2
33	047007	CAP,EXCHANGER 2-1/2	2

List of hoses, not shown.

046339	HOSE,MANIFOLD TO FW INLET	1
046338	HOSE,SEA PUMP TO EXCHANGER	1
046337	HOSE,EXCHANGER TO EXH ELBOW	1
046336	HOSE,MANIFOLD TO EXCHANGER	1
046335	HOSE,INT MANIFLD TO THERMOSTAT	1
046334	HOSE,THERMOSTAT TO EXCHANGER	1
046926	HOSE,VALVE COVER TO SILENCER	1
046785	HOSE,SUMP DRAIN 9.50 IN	1
053847	HOSE,SUMP VACUUM 5-7 BCGD	1

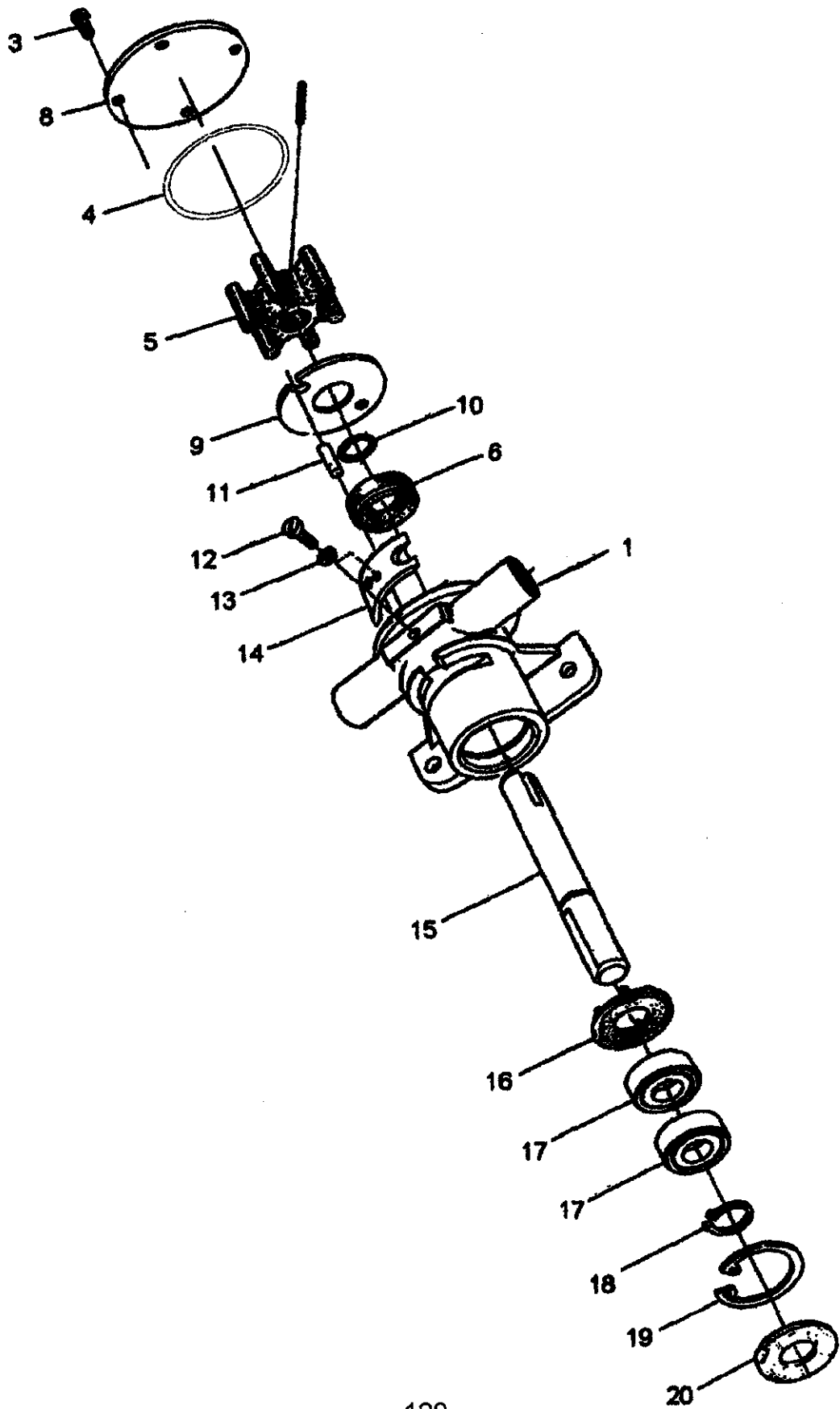
WESTERBEKE LOW PROFILE GENERATOR - SEA WATER SYSTEM



WESTERBEKE LOW PROFILE GENERATOR - SEA WATER SYSTEM

REF	PN	NAME / REMARKS	QUAN
1	046425	GUARD,BELT	1
2-1	046030	CLAMP,EXHAUST ELBOW 4.37"	1
2-2	046123	GASKET,EXHAUST ELBOW-MAN	1
3	013716	PLUG 3/8	1
4	047107	KIT,WATER INJECTED ELBOW (Inc. ref. 11, 2-1, 2-2, 3, 4, 6)	1
5-1	035711	SCREW 6-32	2
5-2	032923	SWITCH,EXHAUST TEMPERATURE	1
6	024523	PLUG 1/8 NPT	1
7	046323	BRACKET,EXHAUST MANIFLD SUPPRT	1
8-1	046996	MANIFOLD,EXHAUST (Inc. Catalyst)	1
8-2	042252	GASKET,EXHAUST MANIFOLD	1
9	047106	EXCHANGER,HEAT	1
10	024306	CAP,PRESSURE 15PSI	1
11	042258	ELBOW 3/8NPT x 3/4 HOSE	3
12-1	011357	SETSCREW 5/16NC	1
12-2	046734	PULLEY,SEA WATER PUMP	1
13	042026	PUMP,SEA WATER (Pulley not included)	1
14	020628	CAPSCREW M 6	3
15	031783	LOCKWASHER M 6	3
16	031784	WASHER M 6	1
17	046780	BRACKET,SEA WATER PUMP	1
18	046721	STRAP,SEA PUMP ADJUSTING	1
19	015812	NUT M 6	2
20-1	019262	LOCKWASHER M10	1
20-2	031228	CAPSCREW M10	1
21	046813	BELT,POLY-V	1

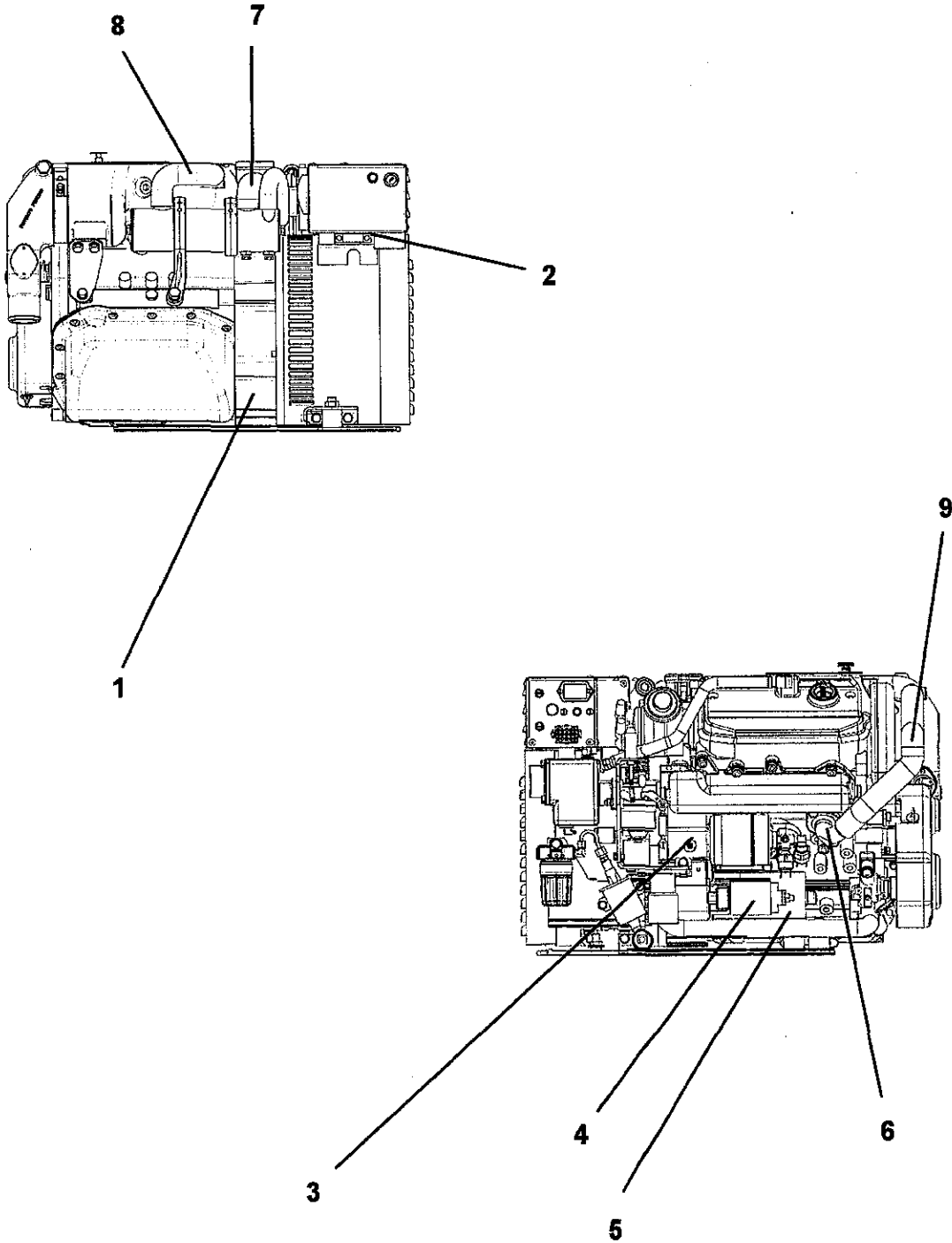
WESTERBEKE LOW PROFILE GENERATOR - SEA WATER PUMP



WESTERBEKE LOW PROFILE GENERATOR - SEA WATER PUMP

REF	PN	NAME / REMARKS	QUAN
1	042026	PUMP,SEA WATER (Complete, body only is not available)	1
2	046622	IMPELLER KIT	1
3	034463	SCREW,IMPELLER COVER	4
4	046624	O-RING,PUMP	1
5	046622	IMPELLER KIT (Inc. item 3,4,5)	1
6	033043	SEAL,PUMP	1
8	046625	COVER,IMPELLER	1
9	046661	PLATE,WEAR PUMP	1
10	033041	O-RING,PUMP	1
11	302575	DOWEL	1
12	046662	SCREW,CAM	1
13	033037	WASHER,CAM	1
14	033031	CAM,PUMP	1
15	046629	SHAFT,WATER	1
16	046630	SPACER,BEARING	1
17	033042	BEARING,PUMP	2
18	033045	RING,RETAINING	1
19	033044	RING,RETAINING	1
20	033033	COVER,BEARING OUTER	1
21	046623	KIT,REPAIR (Inc. items 2,6,8,9,10,11,12,13,14,15,16,17,18,19,20)	1

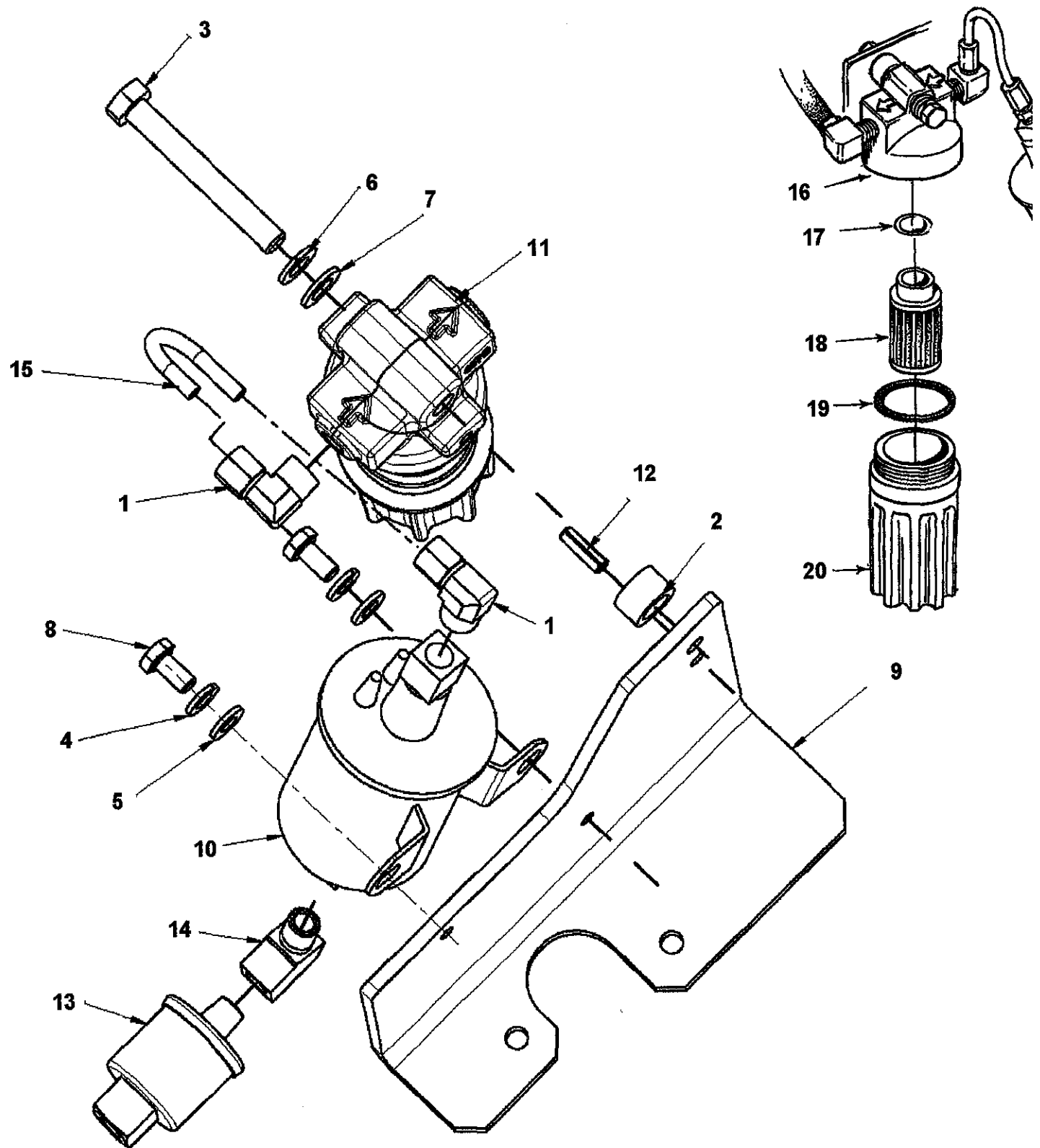
WESTERBEKE LOW PROFILE GENERATOR - BELL HOUSING - FLYWHEEL



WESTERBEKE LOW PROFILE GENERATOR - BELL HOUSING - FLYWHEEL

REF	PN	NAME / REMARKS	QUAN
1-1	045590	HOUSING,FLYWHEEL	1
1-2	046454	FLYWHEEL ASSEMBLY	1
1-3	042964	BOLT,FLYWHEEL	5
2	036652	ISOLATOR,PANEL	4
3	046874	SENSOR,MAGNETIC	1
4	048814	SOLENOID,STARTER 46309	1
5	046309	MOTOR,STARTER 12 VOLT	1
6-1	046354	ELBOW,WATER INLET	1
6-2	042147	GASKET,WATER INLET	1
7	046334	HOSE,THERMOSTAT TO EXCHANGER	1
8	046336	HOSE,MANIFOLD TO EXCHANGER	1
9	046339	HOSE,MANIFOLD TO FW INLET	1
Not shown on illustration			
	046132	GEAR,RING	1

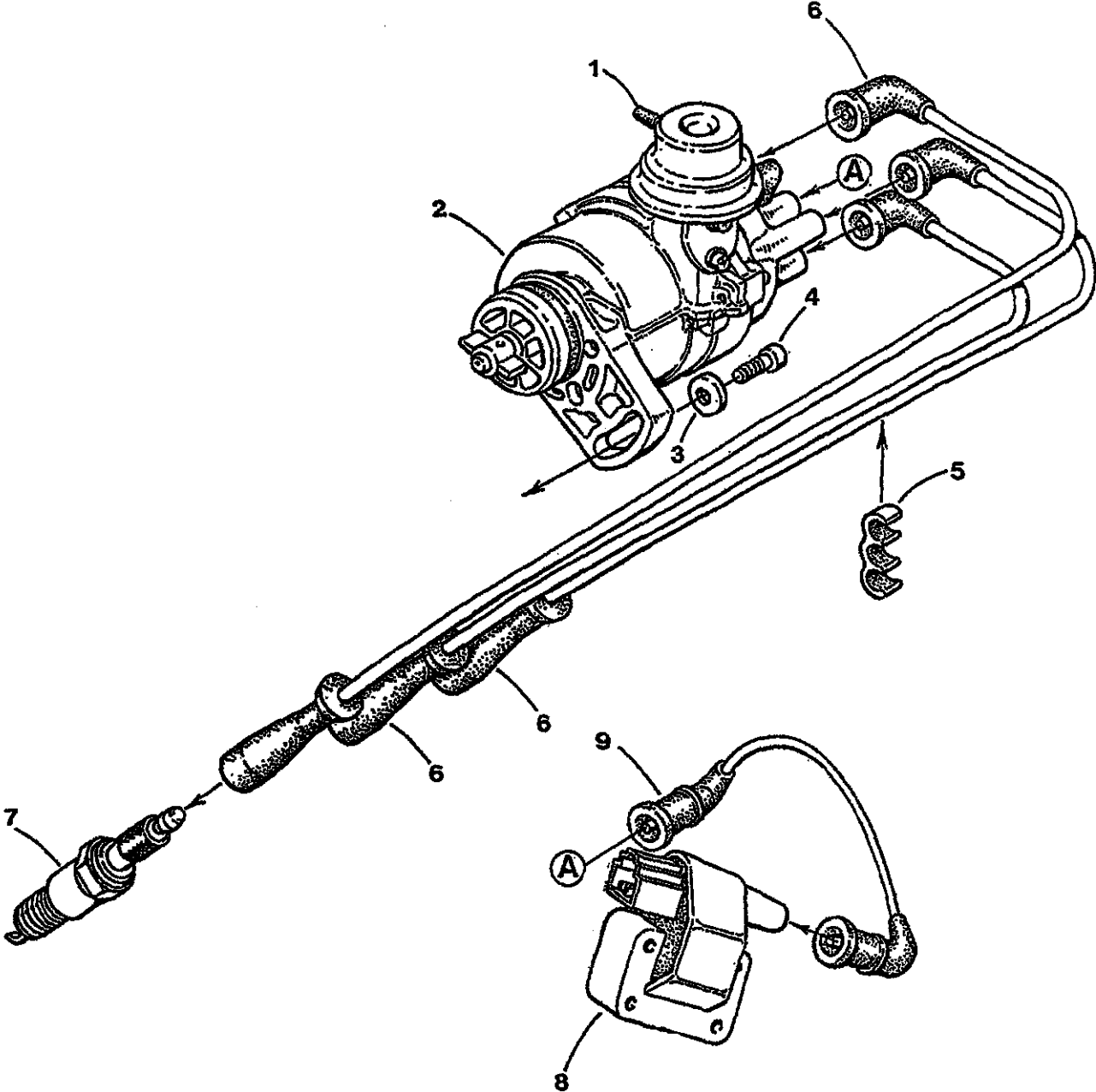
WESTERBEKE LOW PROFILE GENERATOR - FUEL LIFT PUMP - FUEL FILTER



WESTERBEKE LOW PROFILE GENERATOR - FUEL LIFT PUMP - FUEL FILTER

REF	PN	NAME / REMARKS	QUAN
1	013345	ELBOW,MALE	2
2	021722	SPACER	1
3	031225	CAPSCREW M 8x60	1
4	031783	LOCKWASHER M 6	2
5	031784	WASHER M 6	2
6	031786	LOCKWASHER M 8	1
7	031787	WASHER M 8	1
8	031825	CAPSCREW M 6x12	2
9	046512	BRACKET,LIFT PUMP	1
10	046796	PUMP,LIFT 12VDC GAS	1
11	046800	FILTER,FUEL ASSEMBLY (includes filter element assy 47006)	1
12	046931	PIN,ROLL 3/16 DIA	1
13	048076	FILTER,FUEL	1
14	048920	ELBOW 1/8NPT	1
15-1	046572	LINE,FUEL FILTER TO LIFT PUMP (to date code E111)	1
15-2	052644	LINE,FUEL FILTER TO LIFT PUMP (post date code E111)	1
16	047060	HOUSING,FUEL FILTER	1
17	030201	O-RING,FUEL FILTER (small diameter)	1
18	047006	ELEMENT,FUEL FILTER-BCG (includes o-rings)	1
19	030705	O-RING,FUEL FILTER (large diameter)	1
20	047059	CUP,FILTER HOUSING	1

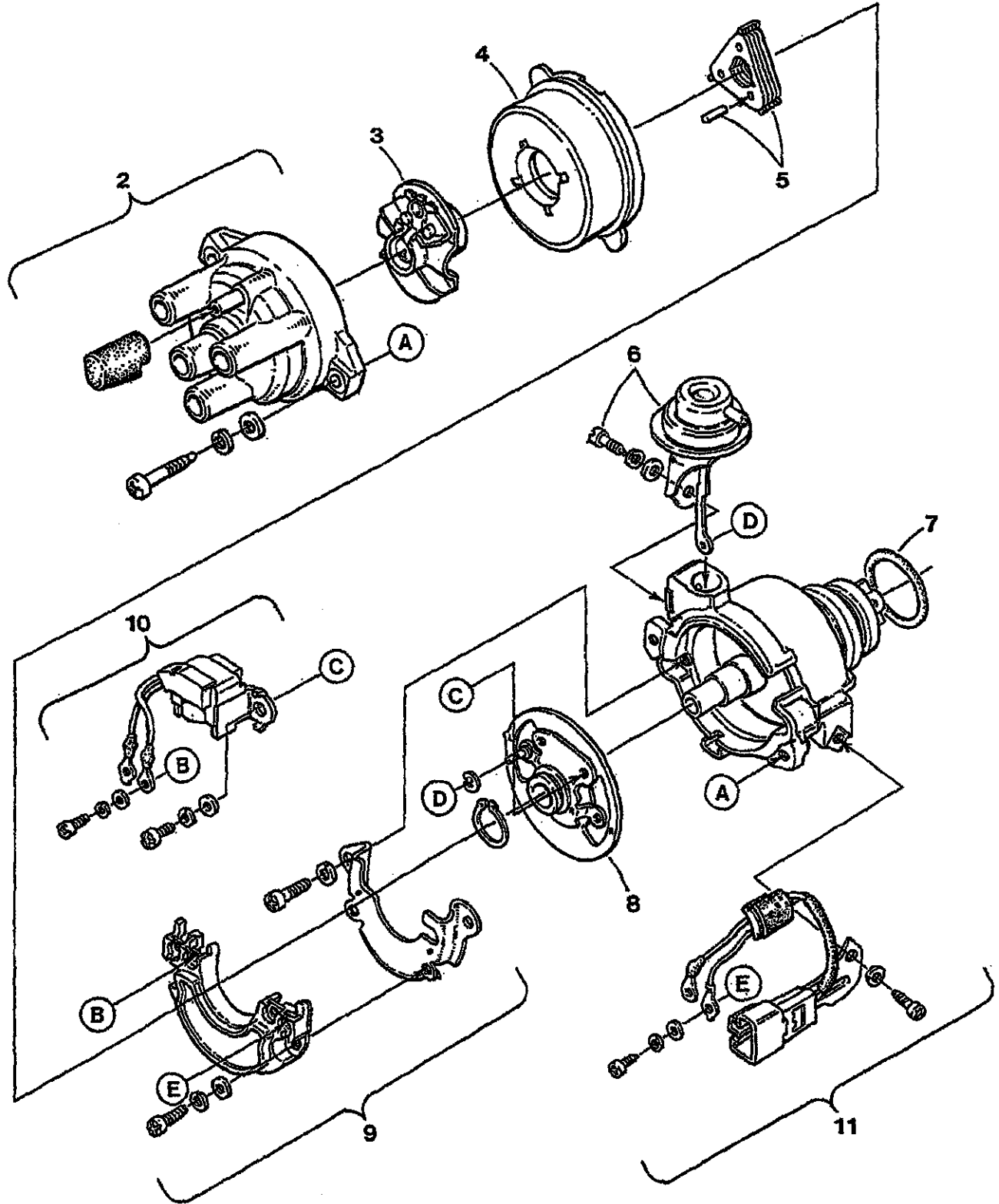
WESTERBEKE LOW PROFILE GENERATOR - DISTRIBUTOR - COIL - SPARKPLUGS



WESTERBEKE LOW PROFILE GENERATOR - DISTRIBUTOR - COIL - SPARKPLUGS

REF	PN	NAME / REMARKS	QUAN
			1
1	033885	CAP,VINYL	1
2	042488	DISTRIBUTOR	1
3	033381	WASHER	1
4	041569	CAPSCREW M 8x25	1
5	042991	CLAMP,SPARKPLUG WIRE	1
6	043060	WIRE SET,SPARKPLUG & COIL	1
7	043071	SPARKPLUG	3
8	042520	COIL,IGNITION	1
9	NA	See Reference # 6	1

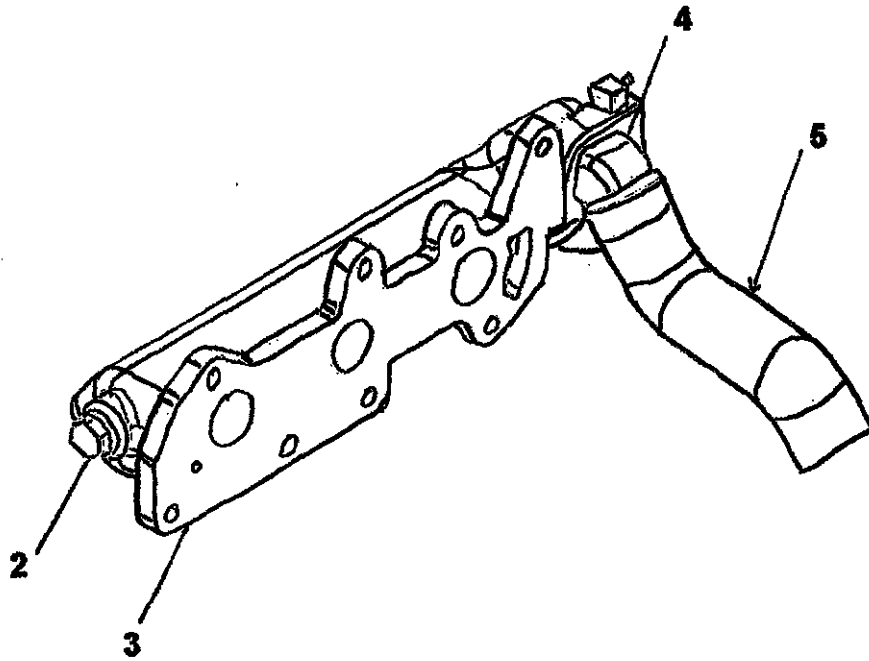
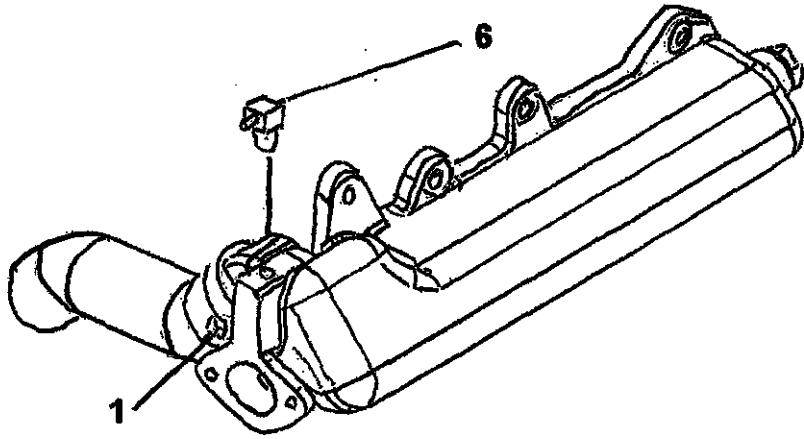
WESTERBEKE LOW PROFILE GENERATOR - DISTRIBUTOR



WESTERBEKE LOW PROFILE GENERATOR - DISTRIBUTOR

REF	PN	NAME / REMARKS	QUAN
			1
1	042488	DISTRIBUTOR	1
2	043059	CAP,DISTRIBUTOR	1
3	043050	ROTOR,DISTRIBUTOR	1
4	043056	COVER,DISTRIBUTOR	1
5	043055	ROTOR,DISTRIBUTOR IGNITER SIG	1
6	043057	MODULE,DISTRIBUTOR VACUUM ADV	1
7	043049	O-RING,DISTRIBUTOR	1
8	043052	BREAKER,DISTRIBUTOR	1
9	043053	IGNITER KIT,DISTRIBUTOR	1
10	043054	MODULE,DISTRIBUTOR PICKUP	1
11	043058	CABLE,DISTRIBUTOR	1
12	043051	SCREW SET,DISTRIBUTOR	1

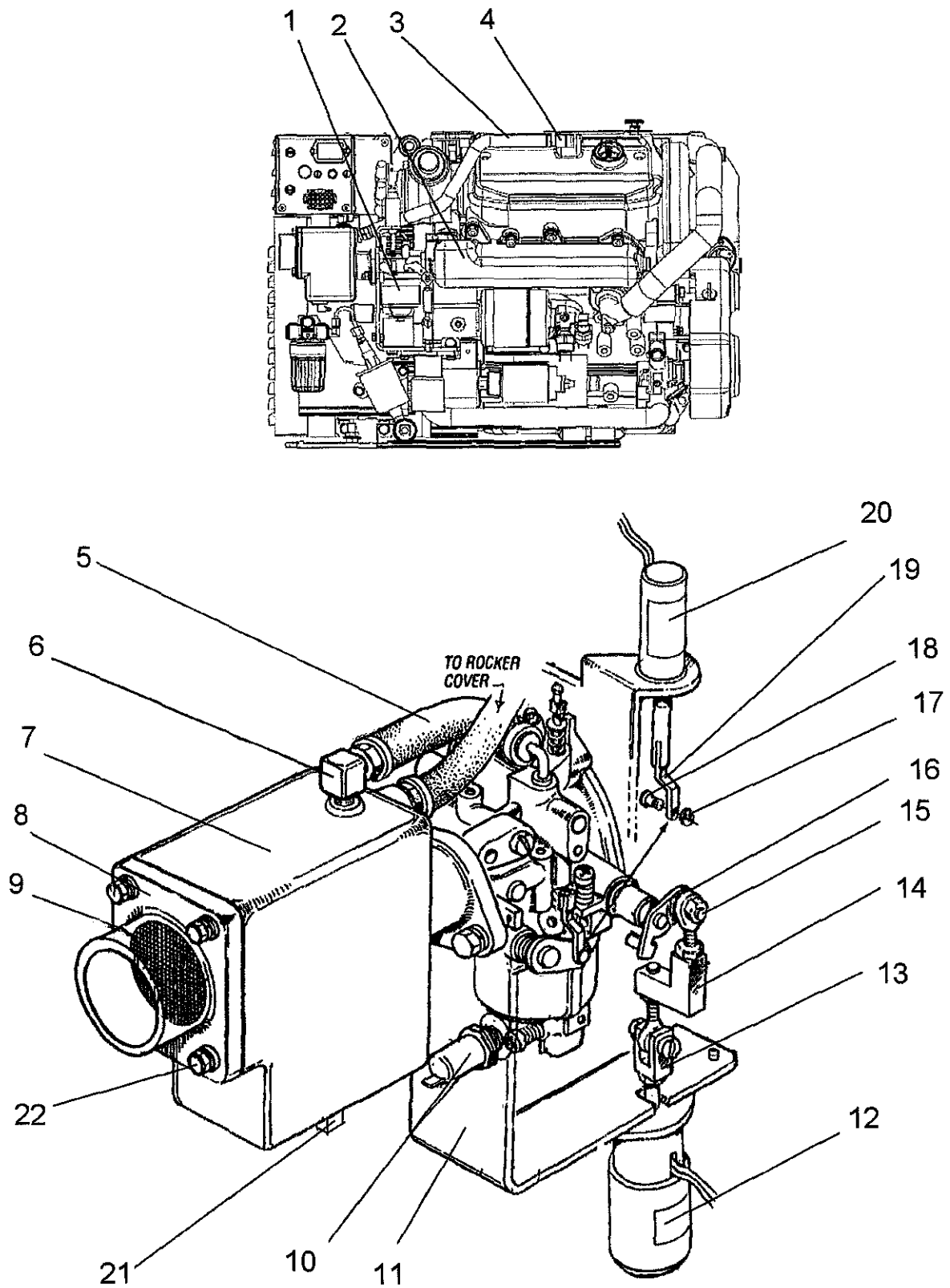
WESTERBEKE LOW PROFILE GENERATOR - INTAKE MANIFOLD



WESTERBEKE LOW PROFILE GENERATOR - INTAKE MANIFOLD

REF	PN	NAME / REMARKS	QUAN
1	011405	CLAMP,HOSE	1
2	013716	PLUG 3/8 NPT	1
3	046287	MANIFOLD,INTAKE	1
4	046333	ELBOW 3/8NPT x 1 HOSE	1
5	046335	HOSE,INT MANIFLD TO THERMOSTAT	1
6	047203	ELBOW,MALE 1/8NPTx5/32	1

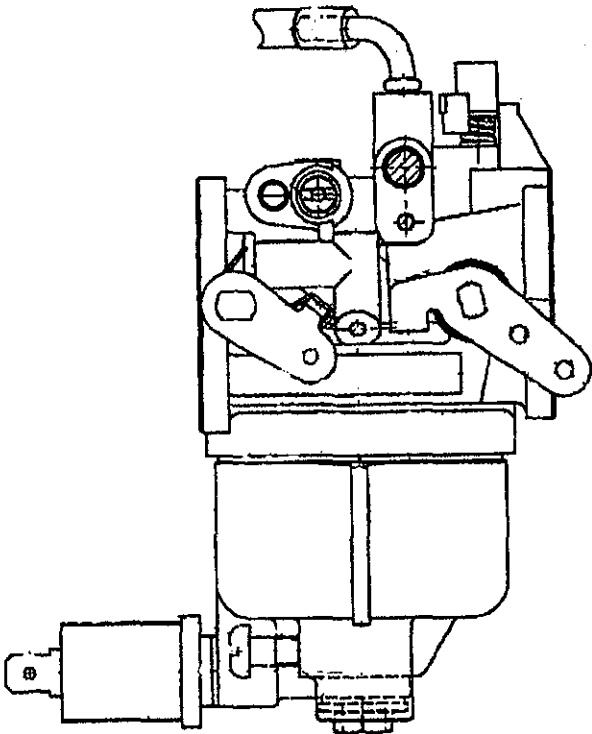
WESTERBEKE LOW PROFILE GENERATOR - AIR INTAKE - CARBURETOR MOUNTING



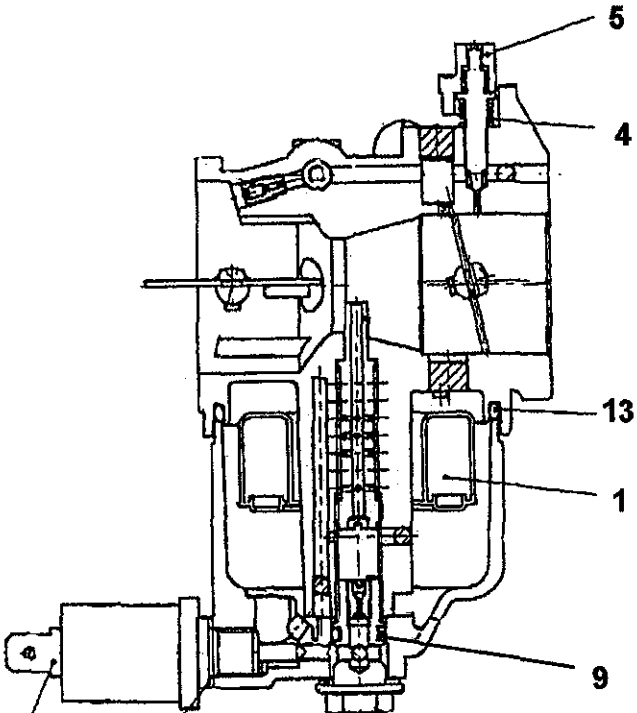
WESTERBEKE LOW PROFILE GENERATOR - AIR INTAKE - CARBURETOR MOUNTING

REF	PN	NAME / REMARKS	QUAN
1-1	047111	CARBURETOR 5.0 BCG	1
1-2	046384	GASKET,CARB TO ACTUATOR BRKT	2
1-3	046524	GASKET,INTAKE MANIFOLD TO CARB	1
2-1	046287	MANIFOLD,INTAKE 5.0-7.0 BCG	1
2-2	043287	GASKET,INTAKE MANIFOLD	1
3	046926	HOSE,VALVE COVER TO SILENCER	1
4	013475	ELBOW 1/4NPT 90	1
5	042622	HOSE,BOWL VENT	3.5"
6	042616	ELBOW,MALE 1/8NPT	1
7	046453	SILENCER,INTAKE 5.0 BCG (Inc. ref. 6, 7, 8, 9, 22, 21)	1
8	046451	NOZZLE,SILENCER 5.0 BCG	1
9	043438	ARRESTOR,FLAME ASSY	1
10	048666	SOLENOID,FUEL SHUTOFF CARBURET	1
11	046447	BRACKET,ACTUATOR-CHOKE SOLND	1
12	046490	ACTUATOR 12VDC 5.0 BCG	1
13	045606	CLEVIS,ACTUATOR	1
14	046567	CLEVIS,ACTUATOR	1
15-1	031873	SCREW 10-32	2
15-2	031847	NUT 10-32	2
16	048516	BALLJOINT 10-32	2
17	046724	RING,RETAINING 3/32	2
18	046641	INSERT,CHOKE LINKAGE	2
19-1	047749	LINK,UPPER CHOKE SOLENOID	1
19-2	047750	LINK,LOWER CHOKE SOLENOID	1
20	046930	SOLENOID,CHOKE 12 VDC-2 TERM (Inc. plunger)	1
21-1	053847	HOSE,SUMP VACUUM 5-7 BCGD	1
21-2	047203	ELBOW,MALE 1/8NPTx5/32 HOSE	1
22-1	018804	CAPSCREW M 6x20	4
22-2	031783	LOCKWASHER M 6	4

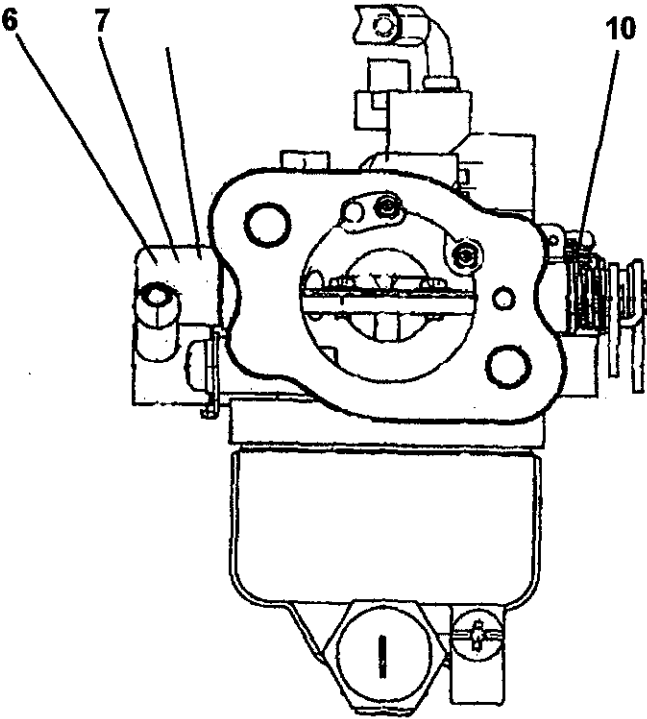
WESTERBEKE LOW PROFILE GENERATOR - CARBURETOR



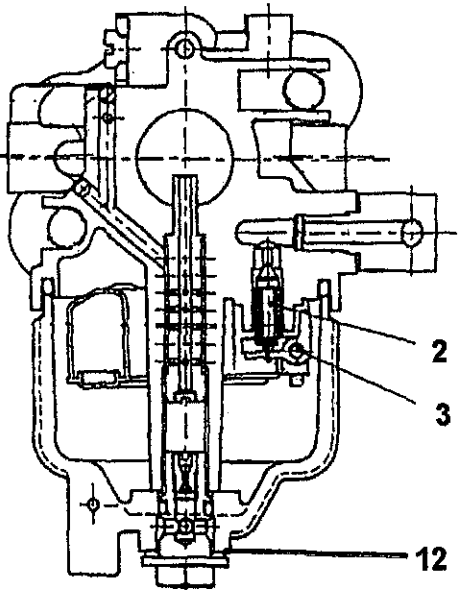
Right Side



Right Side Cut Away



Front View



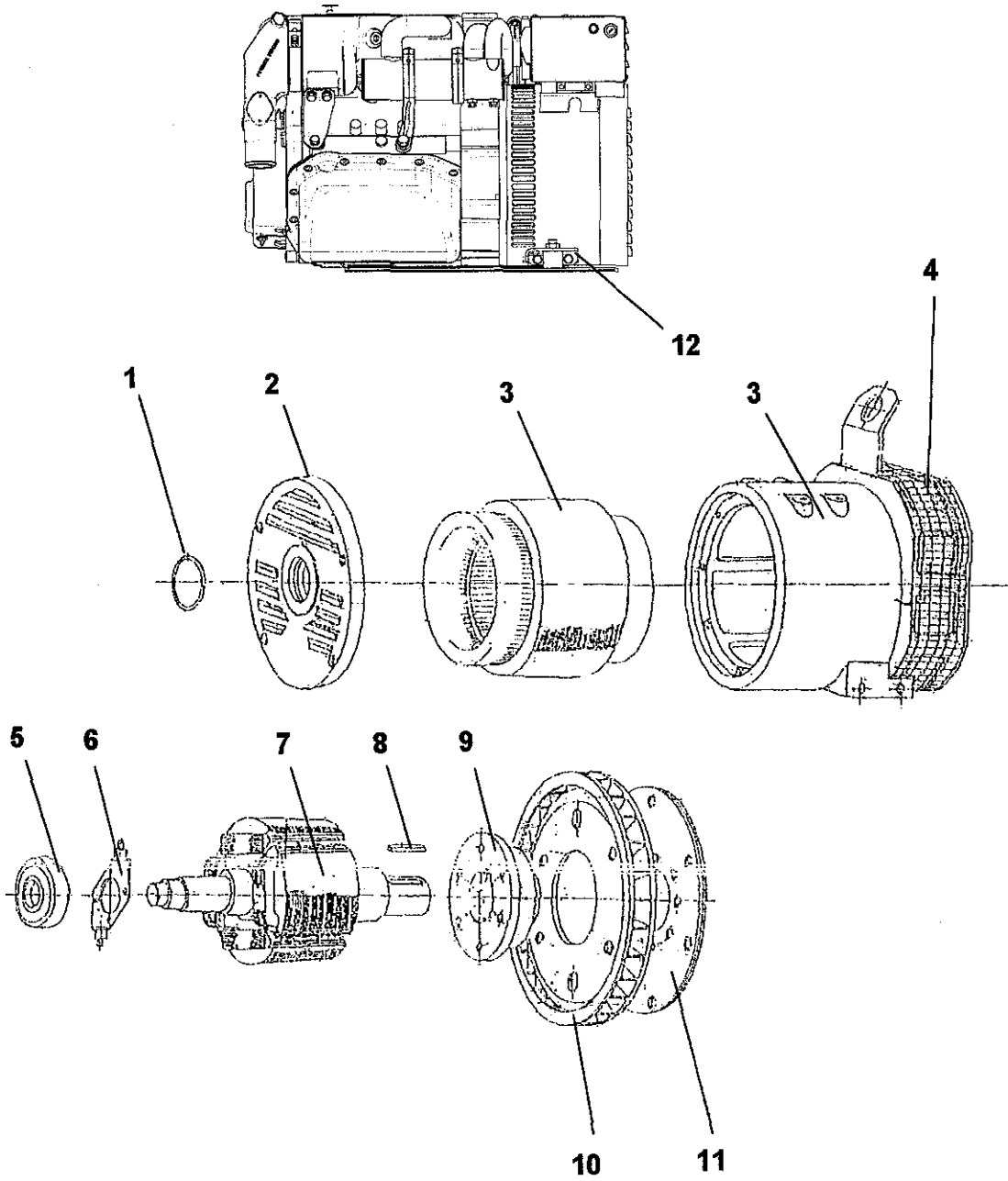
Back View Cut Away

WESTERBEKE LOW PROFILE GENERATOR - CARBURETOR

REF	PN	NAME / REMARKS	QUAN
1	NA	FLOAT,FUEL INLET	1
2	NA	NEEDLE,FUEL FLOAT	1
3	NA	PIN,FUEL FLOAT	1
4	NA	SPRING,IDLE MIXTURE SCREW	1
5	NA	CAP,IDLE MIXTURE SCREW	1
6	NA	CAP,THROTTLE SHAFT SEAL	1
7	NA	CIRCLIP,THROTTLE SHAFT LOCATOR	1
8	048666	SOLENOID,FUEL SHUTOFF CARBURETOR	1
9	NA	O-RING,FUEL BOWL BANJO BOLT SEALING	1
10	NA	FELT,THROTTLE SHAFT SEAL	1
11	NA	COPPER,FUEL SHUTOFF SOLENOID	1
12	NA	COPPER,FUEL BOWL BANJO BOLT	1
13	054271	GASKET,CARBURETOR BOWL	1
	048667	KIT,CARBURETOR 47111 REPAIR (Includes items 1 through 13)	1
	047111	CARBURETOR (Complete)	1

Note: Illustration is provided for assembly or repair purposes only. Individual components, unless number is provided above, are not available separately.

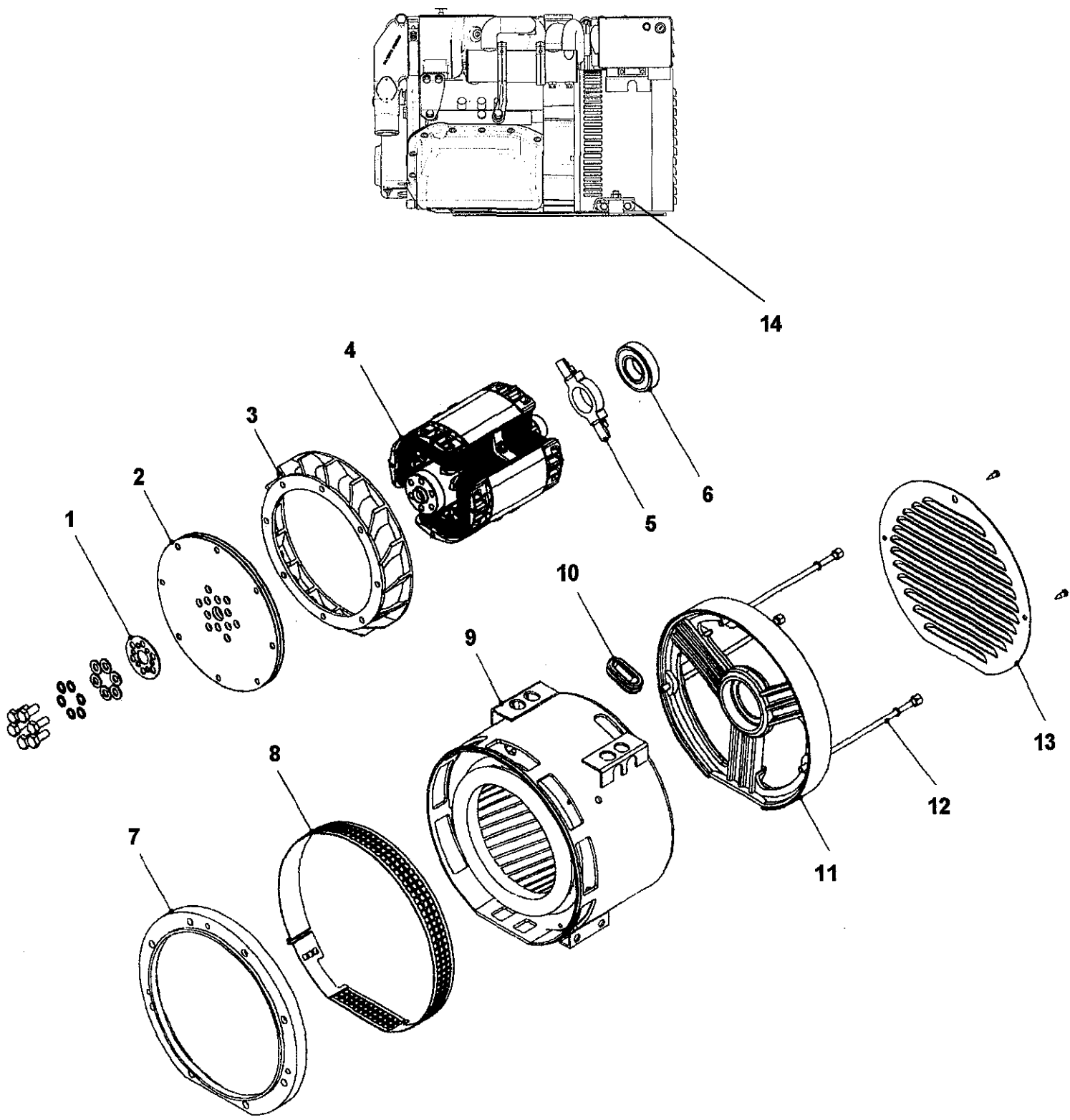
WESTERBEKE LOW PROFILE GENERATOR - GEN END (5.0 BCGA / 7.0 BCGC) - REAR MOUNTS



WESTERBEKE LOW PROFILE GENERATOR - GEN END (5.0 BCGA / 7.0 BCGC) - REAR MOUNTS

REF	PN	NAME / REMARKS	QUAN
1	048762	O-RING	1
2	048757	COVER,GENERATOR END 7.0 BCGC	1
3-1	048763	STATOR ASSY INCL HSNG 7.0 BCGC	1
3-2	NA	STATOR ASSY INCL HSNG 5.0 BCGA	1
4	048764	SCREEN,EXHAUST AIR	1
5	037460	BEARING,BALL	1
6	048761	DIODE SET,RECTIFIER	1
7-1	048760	ARMATURE 7.0 BCGC	1
7-2	NA	ARMATURE 5.0 BCGA	1
8	048755	KEY,HUB TO ARMATURE	1
9	048756	HUB,DRIVE DISC TO ARMATURE	1
10	048758	FAN,ALTERNATOR	1
11	047862	DISC,DRIVE	2
12-1	046340	MOUNT,REAR RIGHT	1
12-2	046431	MOUNT,REAR LEFT	1
	048256	GENERATOR END COMPLETE 7.0KW BCGC	1
	048583	GENERATOR END COMPLETE 5.0KW BCGA	1

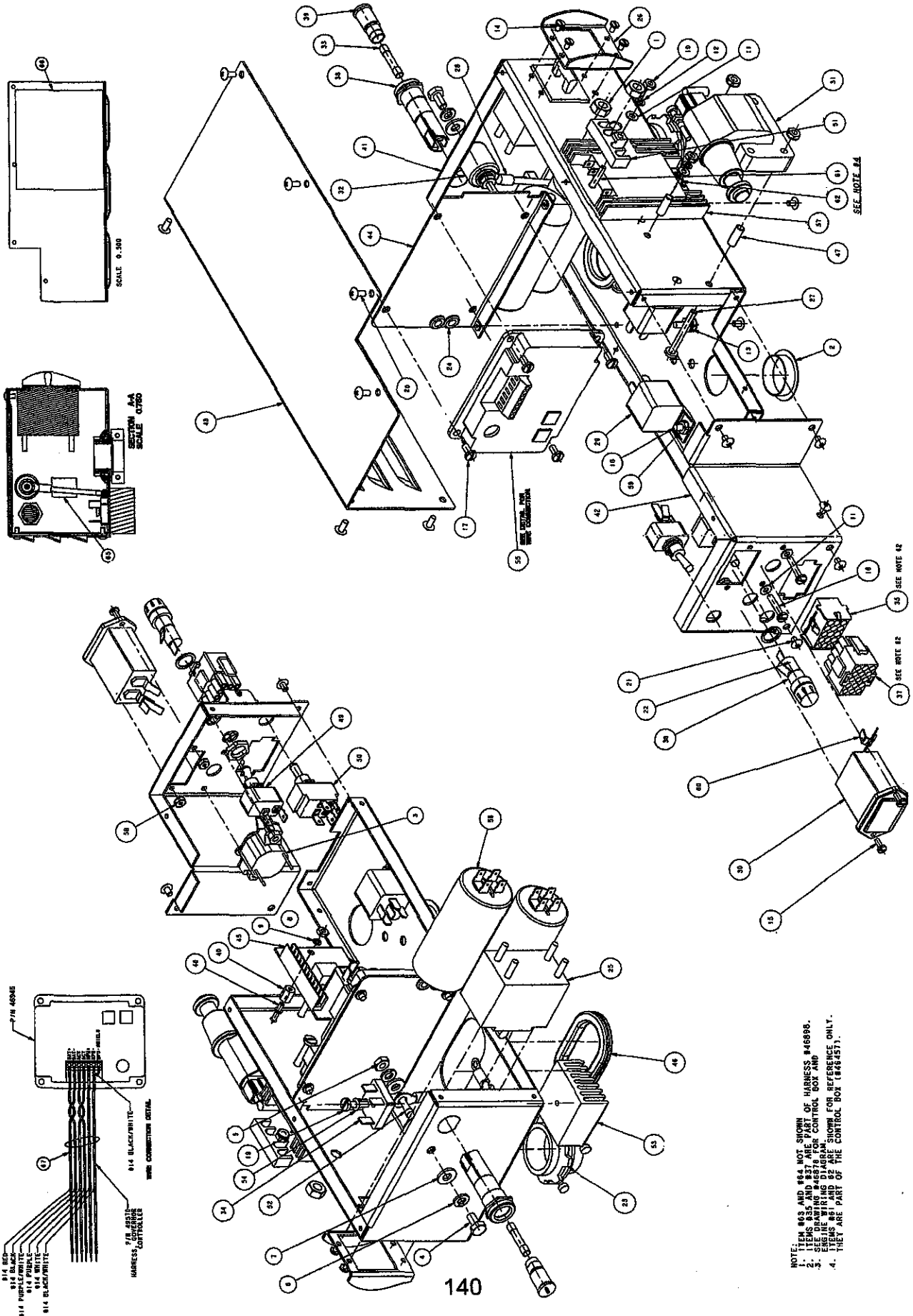
WESTERBEKE LOW PROFILE GENERATOR - GEN END (5.0 BCG / 7.0 BCGD) - REAR MOUNTS



WESTERBEKE LOW PROFILE GENERATOR - GEN END (5.0 BCG / 7.0 BCGD) - REAR MOUNTS

REF	PN	NAME / REMARKS	QUAN
1	054362	PLATE,DRIVE DISC TO ARMATURE	1
2	054361	PLATE,DRIVE DISC	2
3	054363	FAN	1
4-1	054356	ARMATURE 5.0 BCG	1
4-2	054357	ARMATURE 7.0 BCGD	1
5	035971	DIODE SET,BC GENERATOR	1
6	054364	BEARING,BALL	1
7	054360	HOUSING,FRONT	1
8	054368	GUARD,ALTERNATOR AIR 7.0 BCGD	1
9-1	054352	STATOR ASSY INCL HSG 5.0BCG	1
9-2	054354	STATOR 5.0 BCG	1
9-3	054353	STATOR ASSY INCL HSG 7.0BCGD	1
9-4	054355	STATOR 7.0 BCGD	1
10	054365	GROMMET,AC OUTPUT	1
11	054359	HOUSING,REAR	1
12-1	054366	BOLT,STATOR THRU 5.0 BCG	3
12-2	054367	BOLT,STATOR THRU 7.0 BCGD	3
13	054358	COVER,GENERATOR END	1
14-1	046340	MOUNT,REAR RIGHT	1
14-2	046431	MOUNT,REAR LEFT	1
	047103	GENERATOR END COMPLETE 5.0 KW BCG	1
	049764	GENERATOR END COMPLETE 7.0KW BCGD	1
	049759	GENERATOR KIT 7.0KW C TO D	1

WESTERBEKE LOW PROFILE GENERATOR - PANEL BOX ASSEMBLY



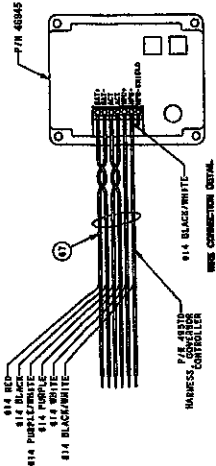
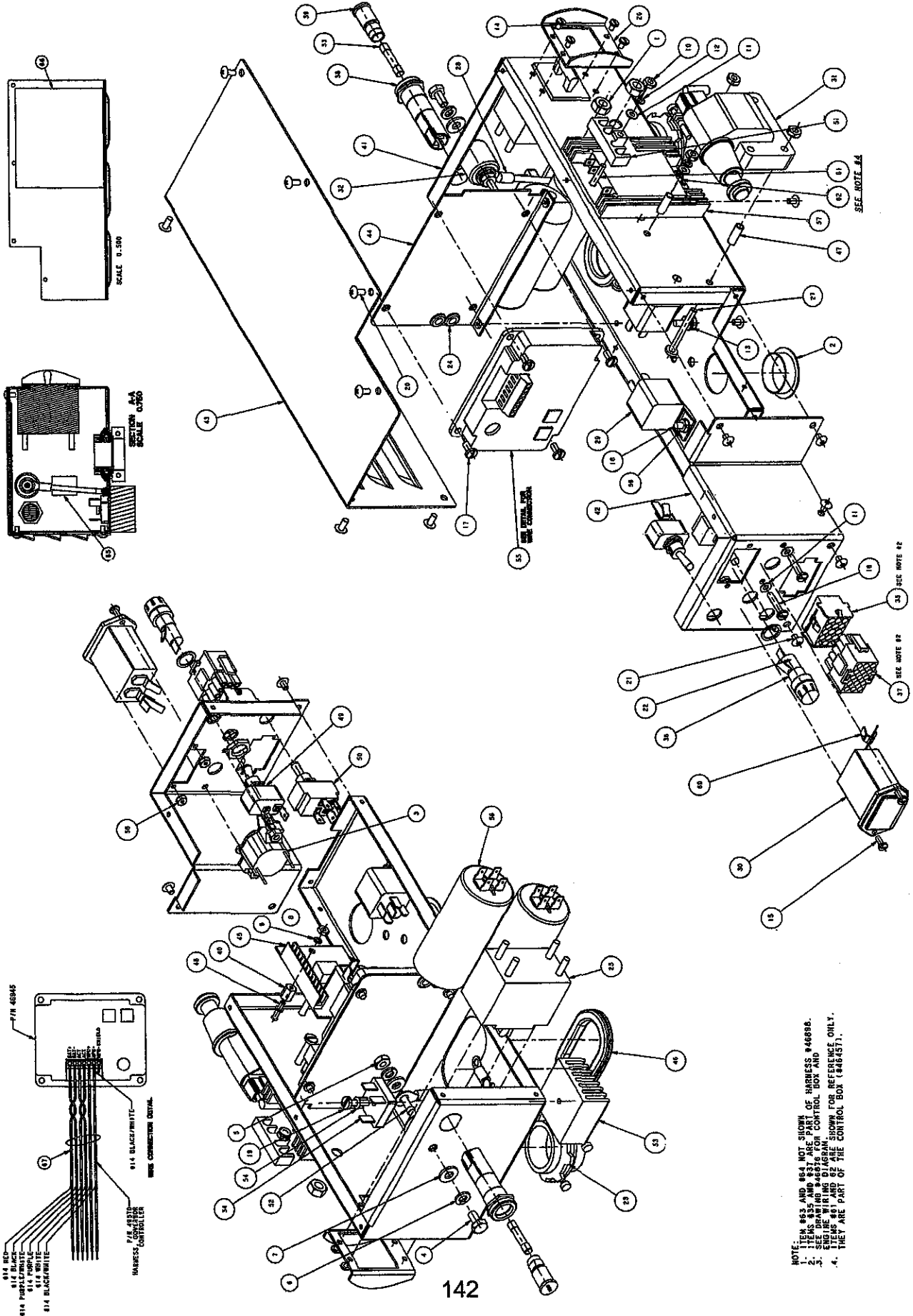
WESTERBEKE LOW PROFILE GENERATOR - PANEL BOX ASSEMBLY

REF	PN	NAME / REMARKS	QUAN
1	018242	NUT M 8	2
2	023937	BUSHING,SNAP,1.250 DIA	1
3	024683	BREAKER,CIRCUIT 20 AMP	1
4	031501	CAPSCREW 1/4NCx1/2	1
5	031750	NUT 1/4-20 NC	1
6	031752	LOCKWASHER 1/4	2
7	031753	WASHER,FLAT	2
8	031837	NUT 6-32	2
9	031839	LOCKWASHER 6	4
10	031842	NUT 8-32	2
11	031843	WASHER,FLAT 8	4
12	031844	LOCKWASHER 8	2
13	031848	WASHER,FLAT 10	1
14	031852	SCREW 6-32 X 1/4	4
15	031853	SCREW 6-32 X 3/8	2
16	031866	SCREW 8-32 X 7/8	2
17	031871	SCREW 10-32 X 3/8	4
18	031872	SCREW 10-32 X 1/2	2
19	031874	SCREW 10-32x3/4	2
20	031891	SCREW 8-32 X 3/8	9
21	031936	SCREW 8-32 X 1/4	7
22	033769	FUSE 8 AMP	1
23	036737	CONNECTOR,BOX	1
24	038434	GROMMET 1/4ID,3/8HOLE	2
25-1	042714	BREAKER,CIRCUIT 30AMP (7.0 BCGC / BCGD 60HZ)	1
25-2	042713	BREAKER,CIRCUIT 25AMP (5.8 BCGC / BCGD 50HZ)	1
25-3	042232	BREAKER,CIRCUIT 20AMP (5.0 BCG / BCGA 60HZ)	1
25-4	042232	BREAKER,CIRCUIT 20AMP (4.2 BCG / BCGA 50HZ)	1
26	039082	GUARD,CIRCUIT BREAKER HANDLE	1
27	039470	SCREW 10-32x1-3/4	2
28	039765	WIRE,GENERATOR GROUND	1
29	041150	RELAY 12VDC 30A	2
30	042388	METER,HOUR 12-24VDC	1
31	042520	COIL,IGNITION	1
32	043086	TERMINAL,BATTERY CHARGER OUT	1
33	043634	FUSE 30A	1
34	043649	RECTIFIER 50 AMP	1
35	046898	HARNESS,PANEL BOX MOUNTED (female 15 pin remote connector)	1

Not shown on illustration.

046809 HEADER 12 PIN CABLE (Overspeed board plug)

WESTERBEKE LOW PROFILE GENERATOR - PANEL BOX ASSEMBLY

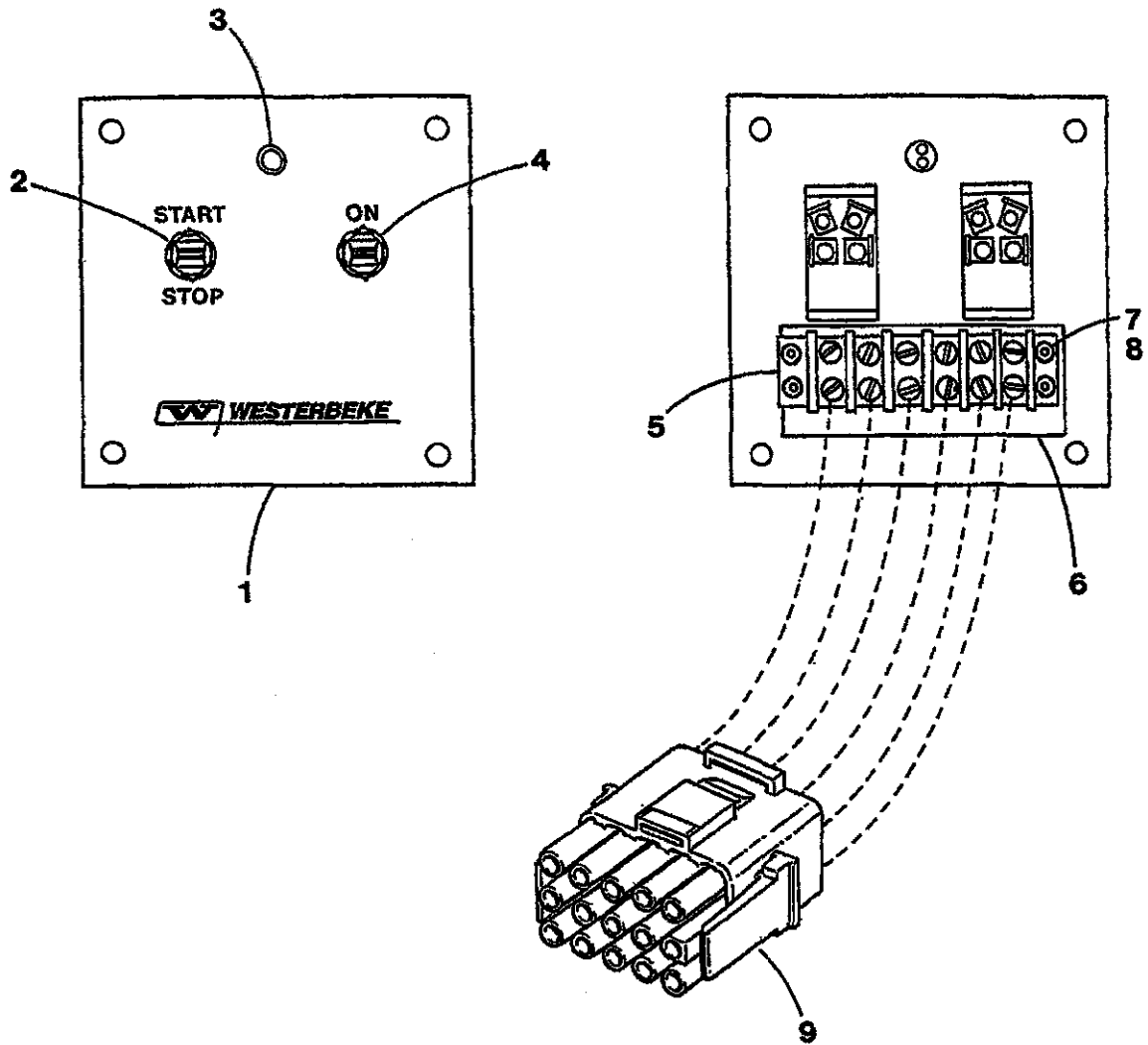


NOTE:
1. ITEM 863 AND 864 NOT SHOWN
2. ITEMS 835 AND 837 ARE PART OF HARNESS #46886.
3. ITEMS 835 AND 837 ARE PART OF CONTROL BOX AND ENGINE WIRING DIAGRAM.
4. ITEMS 861 AND 862 ARE SHOWN FOR REFERENCE ONLY. THEY ARE PART OF THE CONTROL BOX (#46451).

WESTERBEKE LOW PROFILE GENERATOR - PANEL BOX ASSEMBLY

REF	PN	NAME / REMARKS	QUAN
36	043747	HOLDER,FUSE	1
37	046728	CONNECTOR,MALE W/JUMPER	1
38	043828	HOLDER,FUSE-BODY	1
39	043829	CARRIER,FUSE-43828 BODY	1
40	043908	STANDOFF	2
41	046457	BOX,GENSET CTL PNL	1
42	046458	PANEL,GENSET CNTRL	1
43	046459	COVER,CONTROL BOX	1
44	046460	DIVIDER,CONTROL BOX	1
45-1	046723	PC BOARD ASSY,OVERSPEED 60HZ	1
45-2	048801	PC BOARD ASSY,OVERSPEED 50HZ	
46	046802	GROMMET	1
47	046883	SPACER,IGNITION COIL MTG	2
48	046884	SCREW 6-32x3/4 FLAT	2
49	048261	SWITCH,TOGGLE,SPST	1
50	048262	SWITCH,TOGGLE,2 CIRCUIT	1
51	048776	GUARD,BATTERY CHARGER TERMINAL	1
52	048800	STUD 1/4NCx1-1/8	1
53	048805	SINK,HEAT	1
54	049181	WASHER,SERRATED	1
55	046945	CONTROLLER,GOVNR 12/24 NO-OVER	1
56-1	049627	CAPACITOR 35MFD,450VAC (7.0 BCGD, do not mix sizes)	2
56-2	046639	CAPACITOR 40MFD,450VAC (5.8 BCGD, do not mix sizes)	2
56-3	046875	CAPACITOR 25MFD,450VAC (5.0 BCG, do not mix sizes)	2
56-4	048018	CAPACITOR 60MFD,450VAC (7.0 BCGC post E301, do not mix sizes)	2
56-5	048816	CAPACITOR 55MFD,450VAC (7.0 BCGC post E301, do not mix sizes)	2
56-6	046801	CAPACITOR 45MFD,450VAC (7.0 BCGC pre E301, do not mix sizes)	2
56-7	046978	CAPACITOR 31.5MFD,450VAC (4.2 BCG, do not mix sizes)	2
57-1	049845	CHARGER,BATTERY NBC17 (post E501 date code)	1
57-2	043096	CHARGER,BATTERY NBC17 (pre E501 date code)	1
58	050234	NUT 6-32	2
59	200125	NUT 10-32	6
60	301622	ADAPTER,DOUBLE MALE/FEMALE	2
61	NA	PEMSTUD (Not available)	1
62	NA	PEMSTUD (Not available)	1
63	046898	HARNESS,PANEL BOX (Not shown)	1
64	046643	HARNESS,GENSET (Not shown)	1
65	047082	LABEL,GROUND SYMBOL	1
66	047102	LABEL,AC OUTPUT 5.0 BCG 7 BCGD	1
67	049570	HARNESS,GOVERNOR CONTROLLER	1

WESTERBEKE LOW PROFILE GENERATOR - REMOTE CONTROL PANEL

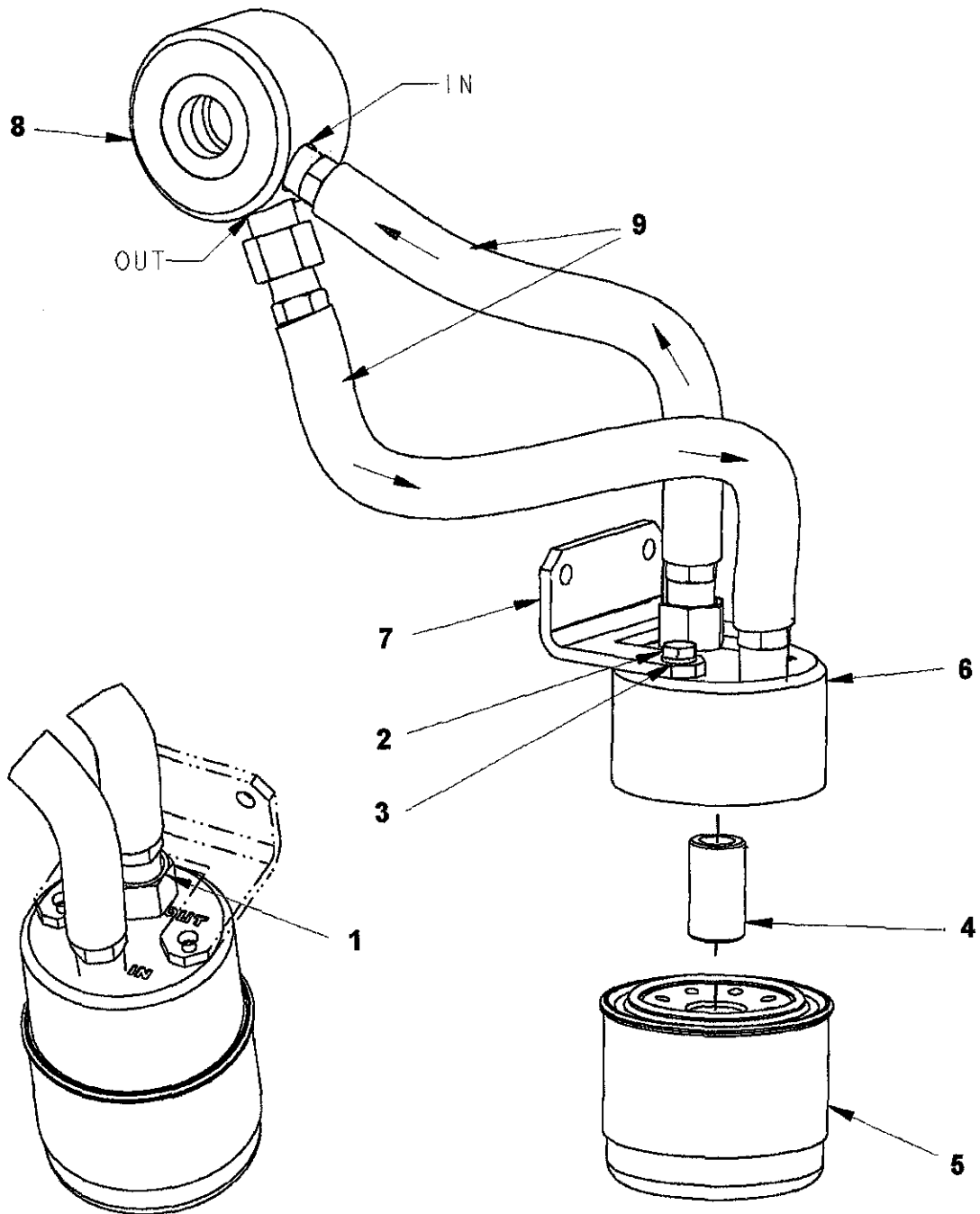


WESTERBEKE LOW PROFILE GENERATOR - REMOTE CONTROL PANEL

REF	PN	NAME / REMARKS	QUAN
1-1	043912	PANEL,REMOTE CONTROL (complete panel)	1
1-2	042436	PANEL,PLATE REMOTE (blank plate)	1
2	048262	SWITCH,TOGGLE,2 CIRCUIT	1
3	032975	LED,GREEN LENS	1
4	033632	SWITCH,TOGGLE	1
5	042496	BLOCK,TERMINAL 6 POS	1
6	042498	MARKER,TERMINAL BLOCK 42496	1
7	050559	NUT 6-32 SMALL HEX	4
8	031839	LOCKWASHER 6 MED	4
9	043913	HARNESS,GEN PANEL	1
10-1	043914	CABLE 15' EXTENSION 15 PIN GAS (not shown)	1
10-2	043860	CABLE 30' EXTENSION 15 PIN GAS (not shown)	1

Note: Use wire diagrams 42826 and 43912.

WESTERBEKE LOW PROFILE - REMOTE OIL FILTER KIT



WESTERBEKE LOW PROFILE GENERATOR - REMOTE LUBE OIL FILTER

REF	PN	NAME / REMARKS	QUAN
1	013348	CONNECTOR,MALE	2
2	031503	CAPSCREW 1/4NC	2
3	031752	LOCKWASHER 1/4	2
4	034663	NIPPLE,OIL FILTER	1
5	036918	FILTER,OIL	1
6	040073	ADAPTER,REMOTE OIL FILTER	1
7	040074	BRACKET,REMOTE OIL FILTER	1
8	052526	ADAPTER,REMOTE OIL FILTER	1
9	011925	HOSE,OIL 40-1/4 LG	1

Not shown in illustration.

052527	BOLT,BANJO-LUBE OIL ADAPTER	1
040507	WASHER,LUBE OIL ADAPTER	1
052528	FORM,INSTALL REMOTE OIL FILTER	1
302842	O-RING	1

Complete kit.

052529	FILTER,REMOTE LUBE OIL	1
--------	------------------------	---

WESTERBEKE LOW PROFILE GENERATOR - MISCELLANEOUS

REF	PN	NAME / REMARKS	QUAN
1	047002	PARTS KIT A 5.0BCG/A,7.0BCGC/D	1
2	047003	PARTS KIT B 5.0 BCG/A,7BCGC/D	1
3	047004	GASKET SET,UPPER 5.0 BCG/A	1
4	047005	GASKET SET,COMPLETE 5.0 BCG/A	1
5	024177	REMOTE EXPANSION TANK	1
6	013758	PAINT,RED AEROSOL CAN	1
7	042307	PAINT,WHITE AEROSOL CAN	1
8	NA	PARTSLIST	1
9	046983	MANUAL,OPERATOR 5 BCG/7 BCGC/D	1
10	052020	MANUAL,SERVICE 5BCG/A,7BCGC/D	1
11	032008	SWITCH,SHORE	1
12	043912	PANEL,REMOTE CONTROL BCGB GEN	1
13	043914	CABLE 15' EXTENSION 15 PIN GAS	1
14	043860	CABLE 30' EXTENSION 15 PIN GAS	1
15	034936	MUFFLER HYDRO-HUSH C	1
16	033340	CONNECTOR,HOSE 1-7/8 STRAIGHT	AR
17	033341	CONNECTOR,HOSE 1-7/8 45 DEGREE	AR
18	033342	CONNECTOR,HOSE 1-7/8 90 DEGREE	AR
19	033943	KIT,MUFFLER COUPLING	AR
20	015010	STRAINER,SEA WATER	1
21	033327	VALVE,ANTI-SIPHON	1
22	052529	FILTER,REMOTE LUBE OIL KIT	1

WESTERBEKE LOW PROFILE GENERATOR - REVISION PAGE

REF	Date	Comments
1	7/28/10	Changed 5.9 to 5.8 on cover page.
2	7/28/10	Corrected misspelled word page P117.
3	1/18/12	Page P139, removed 048256 and replaced with 49764.
4	1/18/12	Page P139, added 7.0 BCGC to BCGD conversion kit.
5	1/18/12	Page P115, added lifting eye.
6	1/19/12	Page P141, added header plug.
7	1/19/12	Page P143, changed capacitor notes.
8	1/19/12	Page P143, added 4.2 BCG capacitor.
9	1/19/12	Cover page, changed publication date.
10	2/2/12	Page P115, replaced 46996 with 47973
11		
12		



5.0BCG and 7.0 BCGD Maintenance Components List

43036	BELT,TIMING
43071	SPARKPLUG
36918	FILTER,OIL
37000	FILTER 12 PACK 36918
47006	ELEMENT,FUEL FILTER-BCG
52064	ELEMENT 12 PACK 47006 FUEL
46519	GASKET,EXCHANGER 2-1/4
47106	EXCHANGER,HEAT 5.0 BCG 7.BCGC
11885	ZINC
35300	ZINC 50 PACK 11885
46622	IMPELLER KIT 46120 PUMP
52000	IMPELLER KIT 12 PACK 46622
46623	KIT,WATER PUMP REPAIR 46120
46123	GASKET,EXHAUST ELBOW-MAN 4.37"
46030	CLAMP,EXHAUST ELBOW 4.37"
48076	FILTER,FUEL
42026	PUMP,SEA WATER
47107	KIT,WATER INJECTED ELBOW 90
24306	CAP,PRESSURE 15PSI
13758	PAINT,RED AEROSOL CAN
43809	PUMP,FRESH WATER W/GASKET
46813	BELT,POLY-V 3GR 28.00
43438	ARRESTOR,FLAME ASSY
39378	THERMOSTAT 160F 4.5-9.6 BCGT
46124	GASKET,THERMOSTAT 5.0 BCG
46339	HOSE,MANIFOLD TO FW INLET
46338	HOSE,SEA PUMP TO EXCHANGER
46337	HOSE,EXCHANGER TO EXH ELBOW
46336	HOSE,MANIFOLD TO EXCHANGER
46335	HOSE,INT MANIFLD TO THERMOSTAT
46334	HOSE,THERMOSTAT TO EXCHANGER
46926	HOSE,VALVE COVER TO SILENCER
46785	HOSE,SUMP DRAIN 9.50 IN
53847	HOSE,SUMP VACUUM 5-7 BCGD

4/20/2010 R.C.B.



5.0BCG and 7.0 BCGD DC and AC Electrical Components List

46309	MOTOR,STARTER 12VDC 1.4KW
48814	SOLENOID,STARTER 46309
24683	BREAKER,CIRCUIT 20 AMP
48792	FUSE 30A,32V SPADE STYLE
48791	HOLDER,FUSE 30A 32V SPADE STYL
49845	CHARGER,BATTERY NBC17 0.196
43649	RECTIFIER 50 AMP BCGTC/E
33769	FUSE 8A,250V,.25x1.25 MTH-8
43747	HOLDER,FUSE .25x1.25 20A 250V
48261	SWITCH,TOGGLE,SPST,15A,MOM ON
41150	RELAY 12VDC 30A W/DIODE
43912	PANEL,REMOTE CONTROL BCGB GEN
43913	HARNESS,GEN PANEL 43912 (15 Pin Male Plug)
46930	SOLENOID,CHOKE 12 VDC-2 TERM
48262	SWITCH,TOGGLE,2 CIRC
46898	HARNESS,PANEL BOX 46461 (15 Pin Female Plug)
46723	PC BOARD ASSY,OVERSPEED/SIGINV (48801 50HZ Version)
42388	METER,HOUR 12-24VDC
46728	CONNECTOR,MALE W/JUMPERS (To Troubleshoot Remote Panel Problem)
46945	CONTROLLER,GOVNR 12/24 NO-OVER
39550	SWITCH,TEMP 210F NC 1/4NPT 2T
37323	SWITCH,OIL PRESS NO 5# 1/8 2T
32923	SWITCH,TEMPERATURE GEN EXHAUST
46796	PUMP,LIFT 12VDC GAS
48666	SOLENOID,FUEL SHUTOFF CARBURET
42520	COIL,IGNITION 4.5-9.6 BCGT
42488	DISTRIBUTOR 4.5-9.6 BCGT
46490	ACTUATOR 12VDC 5.0-7.0 BCGA-C
46874	SENSOR,MAGNETIC 3/8NF 1.43LG
35971	DIODE SET,BC GENERATOR (Use 48761 on Coliseum Generator Ends)
42714	BREAKER,CIRCUIT 30AMP 2POLE-IP (7.0 KW)
42232	BREAKER,CIRCUIT 20AMP 2POLE-IP (5.0 KW)
43634	FUSE 30A (Battery charge circuit, AC side)
43828	HOLDER,FUSE-BODY
43829	CARRIER,FUSE-43828 BODY
46969	PANEL,GENSET CTL 7.0 BCGC
46968	PANEL,GENSET CTL 7.0 BCGD
46461	PANEL,GENSET CTL 5.0 BCG
46875	CAPACITOR 25MFD,450VAC (5.0 BCG)
49627	CAPACITOR 35MFD,450VAC (7.0 BCGD)
46639	CAPACITOR 40MFD,450VAC (5.0 BCGA)
46801	CAPACITOR 45MFD,450VAC (7.0 BCGC Pre E301)
48816	CAPACITOR 55MFD,450VAC
48018	CAPACITOR 60MFD,450VAC

4/20/2010 R.C.B.



5.0 BCG/A and 7.0 BCGC/D mounting system hardware

PART NUMBER/DESCRIPTION	QTY PER
013630 CAPSCREW M 8x25 DIN 933	4 EA
018813 CAPSCREW M10x20 DIN 933	2 EA
019262 LOCKWASHER M10 DIN 127	2 EA
031775 NUT 1/2-13 NC JAM HEX STEEL	6 EA
031777 WASHER,FLAT 1/2 SAE STEEL	2 EA
031786 LOCKWASHER M 8 DIN 127	4 EA
031787 WASHER M 8 DIN 125	2 EA
046165 MOUNT,FRONT 5.0 BCG/A	1 EA
046235 SCREW 1/2-13x3/4 SS FLAT SOCKT	4 EA
046272 ISOLATOR,GEN 130 LB STUD MNT	4 EA
046340 MOUNT,REAR RIGHT 5.0 BCG/A	1 EA
046341 MOUNT,REAR LEFT 5.0 BCG/A	1 EA
046342 BASE,GENSET 5.0 BCGA / 7.0 BCGC	1 EA
046747 BASE,GENSET 5.0 BCG / 7.0 BCGD	1 EA
046491 STRAP,RETAINING	3 EA
046701 SCREW 1/2-13x1-1/4 SS FLAT SKT	1 EA

R.C.B. 12 01 05



047005 GASKET SET, COMPLETE 5.0 BCG/A - 7.0 BCGC/D

PART NUMBER / DESCRIPTION	QTY PER
030242 SEAL, VALVE STEM	6.000 EA
033885 CAP, VINYL .125 ID, 0.50 INT LG	1.000 EA
041323 GASKET, LUBE OIL ADAPTER	1.000 EA
042020 GASKET, SUMP 4.5 BCGT	1.000 EA
042147 GASKET, WATER INLET	1.000 EA
042252 GASKET, EXHAUST MANIFOLD	1.000 EA
042431 GASKET, OIL FILL CAP	1.000 EA
042688 GASKET, ROCKER COVER 4-9 BCGT	1.000 EA
042912 CAP, VINYL 5/16 ID, 3/4 INT LG	1.000 EA
042960 SEAL, OIL-ROCKER COVER	2.000 EA
042966 GASKET, TIMING BELT COVER	1.000 EA
042967 GASKET, TIMING BELT COVER	1.000 EA
042969 GASKET, OIL PUMP	1.000 EA
042985 GASKET, TIMING BELT COVER	2.000 EA
042988 GASKET, TIMING BELT COVER	1.000 EA
043005 GASKET, FRESH WATER PUMP	1.000 EA
043017 SEAL, OIL CAMSHAFT	1.000 EA
043018 SEAL, OIL PUMP	1.000 EA
043027 GASKET, BALANCE SHAFT COVER	1.000 EA
043029 GASKET, HEAD	1.000 EA
043030 GASKET, TIMING CASE TO BLOCK	1.000 EA
043046 SEAL, OIL	1.000 EA
043048 SEAL, OIL	1.000 EA
043049 O-RING, DISTRIBUTOR	1.000 EA
043287 GASKET, INTAKE MANIFOLD	1.000 EA
046123 GASKET, EXHAUST ELBOW-MAN 4.37"	1.000 EA
046124 GASKET, THERMOSTAT	1.000 EA
046519 GASKET, EXCHANGER 2-1/4" W/HOLE	2.000 EA
046524 GASKET, INTAKE MANIFOLD TO CARB	1.000 EA
054625 GASKET, OIL PICKUP	1.000 EA

R.C.B. 7/20/10

