

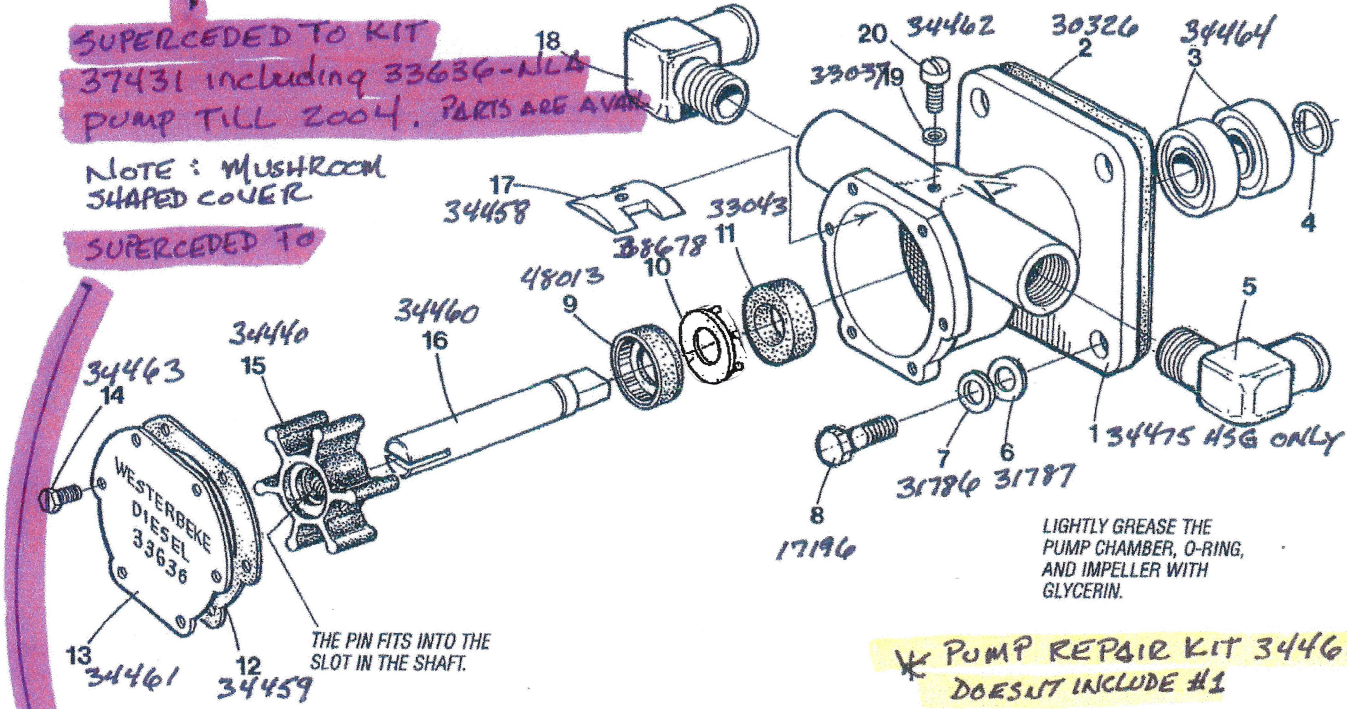
# RAW WATER PUMP

THE ORIGINAL PUMP # 24143 UNTIL 1984. COVER HAD HOSE CONNECTIONS CAST IN

SUPERCEDED TO KIT 37431 including 33636-NLLA PUMP TILL 2004. PARTS ARE AVAIL.

NOTE: MUSHROOM SHAPED COVER

SUPERCEDED TO



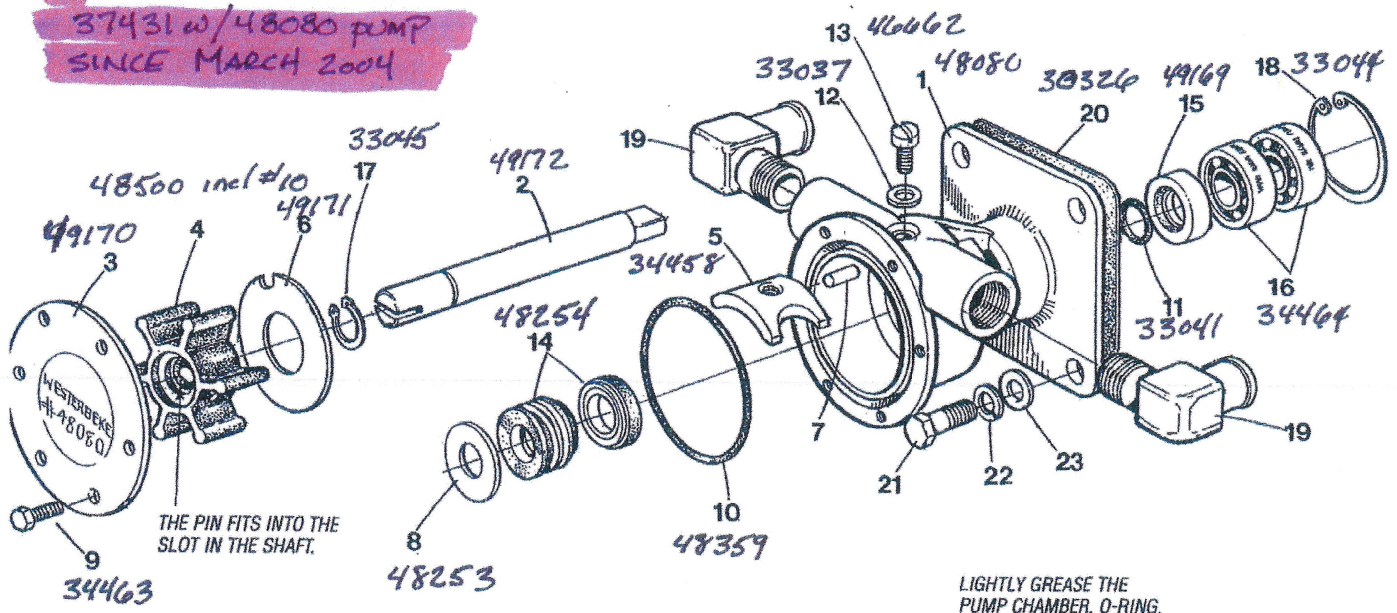
LIGHTLY GREASE THE PUMP CHAMBER, O-RING, AND IMPELLER WITH GLYCERIN.

\* PUMP REPAIR KIT 34466 DOESNT INCLUDE #1

# RAW WATER PUMP

(from March 2004)

37431 w/ 48080 PUMP SINCE MARCH 2004



LIGHTLY GREASE THE PUMP CHAMBER, O-RING, AND IMPELLER WITH GLYCERIN.

\* PUMP REPAIR KIT 49000 DOESNT INCLUDE #1 OR #7

