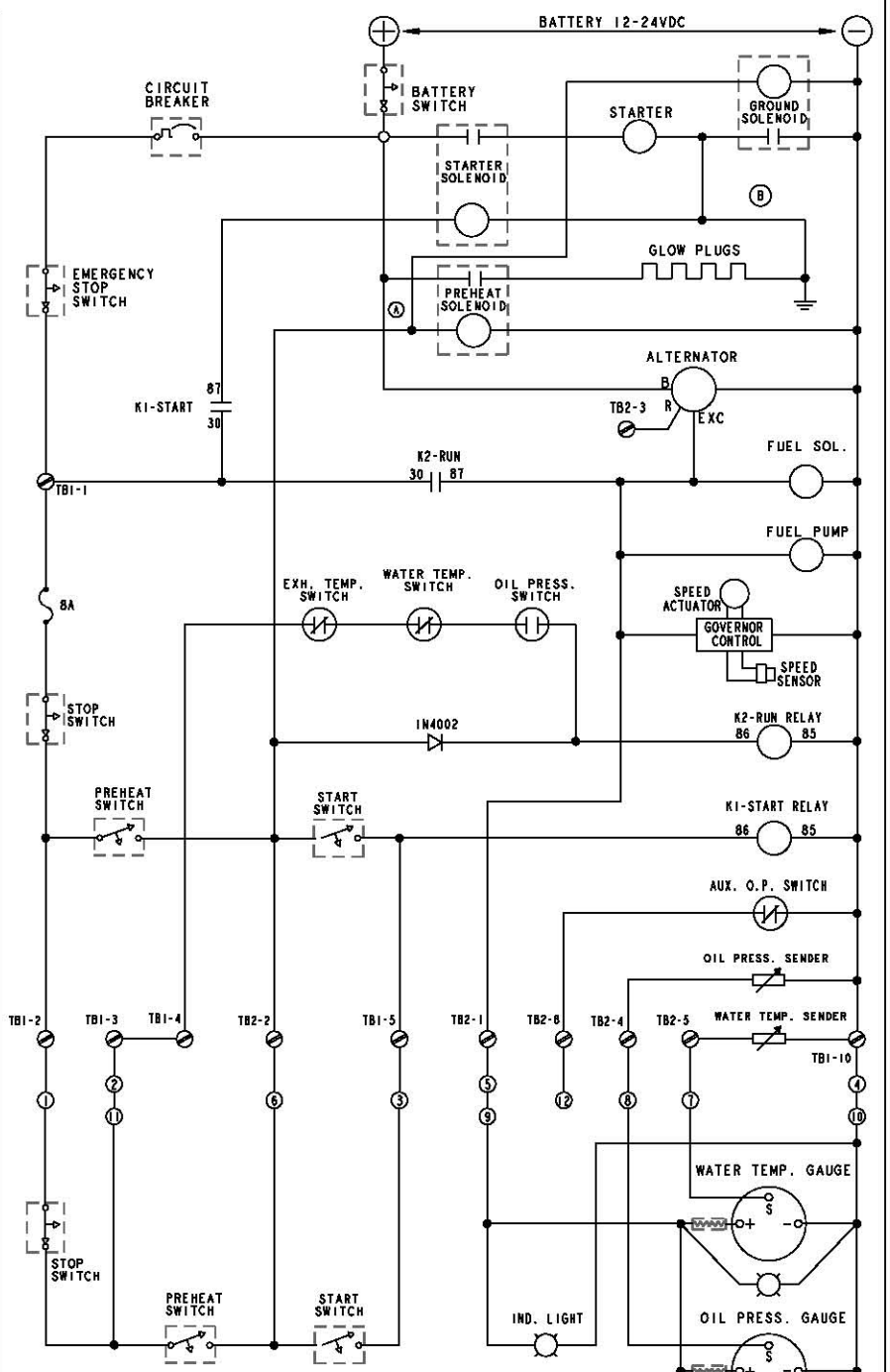
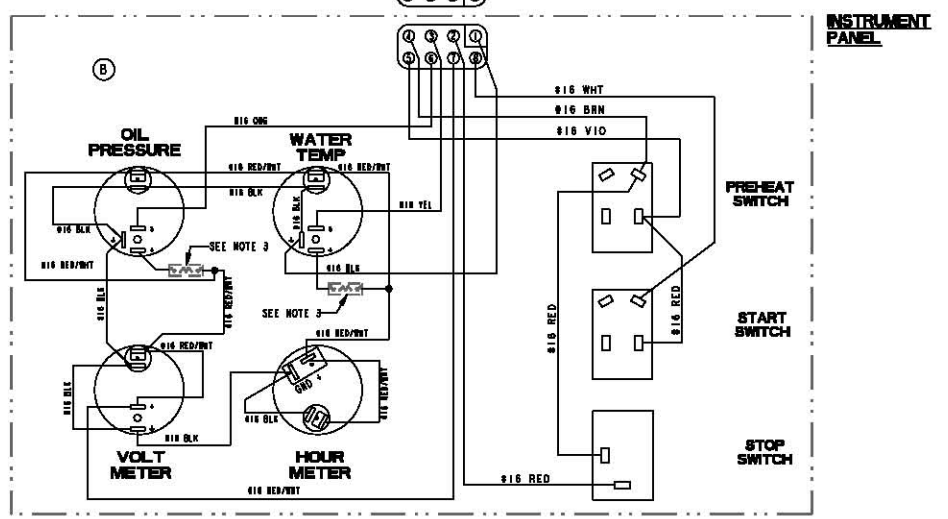
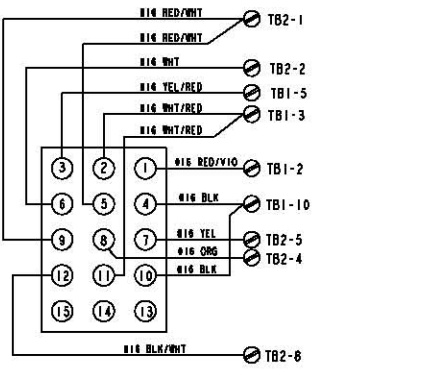


NOTE:  
 1. REMOVE JUMPER WHEN CONNECTING A SECOND REMOTE PANEL.



-TYPICAL REMOTE START/STOP PANEL CONNECTIONS-

- NOTE:  
 1. REMOTE CONNECTOR PINS  
 2. REMOVE METAL SCREEN FROM INJECTION PUMP BEFORE INSTALLING UNGROUNDED FUEL SOLENOID  
 3. FOR 24 VOLT SYSTEM, USE 150Ω2 RESISTOR AS SHOWN.

TOLERANCES				WESTERBEKE CORPORATION			
INCHES UNLESS NOTED				AVON MA. 02322			
WIRING DIAGRAM/SCHEMATIC, 20.0 BEDA				25.0 BEDA, 12-24VDC UNGROUNDED - SRC			
DATE				REVISED BY			
REV. 1				REV. 1			
4777				44808			
ECO NO.				REV. 1 OF 1			