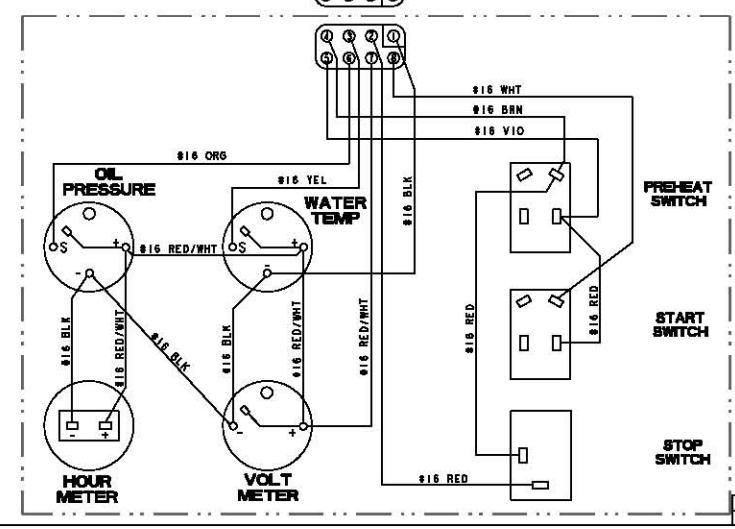
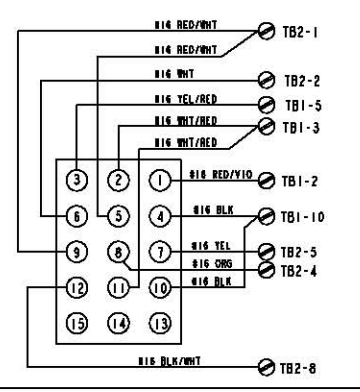
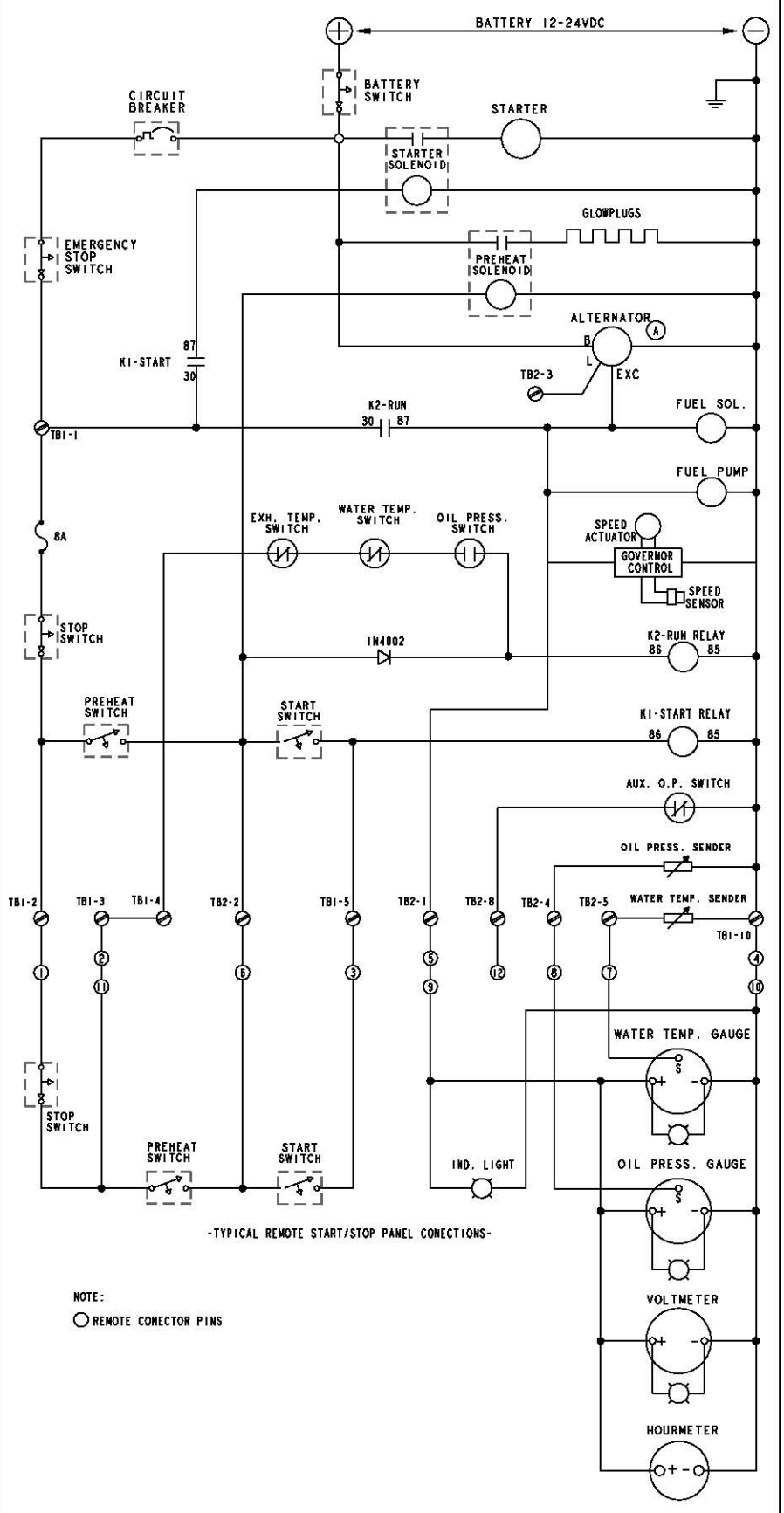


NOTE:
 1. REMOVE JUMPER WHEN CONNECTING A SECOND REMOTE PANEL.
 2. GROUND "1" TERMINAL OF PREHEAT SOLENOID ON 24V SYSTEM ONLY.



ECO NO.	DATE	REV.	REVISION RECORD	AUTH.	DR.
4632	7/81	A	UPDATED ALTERNATOR WIRING SCHEMATIC, ADDED TRANSIENT VOLTAGE SUPPRESSOR TO CIRCUIT.		7SM



NOTE:
 ○ REMOTE CONNECTOR PINS

TOLERANCES		WESTERBEKE CORPORATION AVON MA. 02322	
INCHES	MILLIMETERS	TITLE	
±.0005	±.0127	WIRING DIAGRAM/SCHEMATIC, 20.0 BEDA, 25.0 BED - SRC	
±.0010	±.0254	DATE	REV.
±.0015	±.0381	7/81	A
±.0020	±.0508	DESIGNED BY	DRAWN BY
±.0030	±.0762	7/81	
±.0040	±.1016	APPROVED BY	DATE
±.0050	±.1270		
±.0075	±.1905	SCALE	NONE
±.0100	±.2540	SIZE	11" X 17"
±.0150	±.3810	PAGE	1 OF 1
±.0200	±.5080	REV.	A

44736