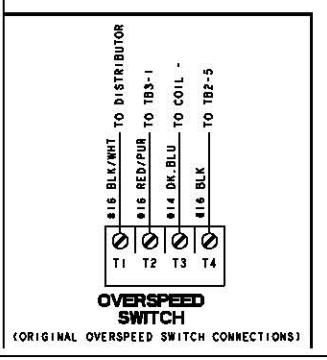
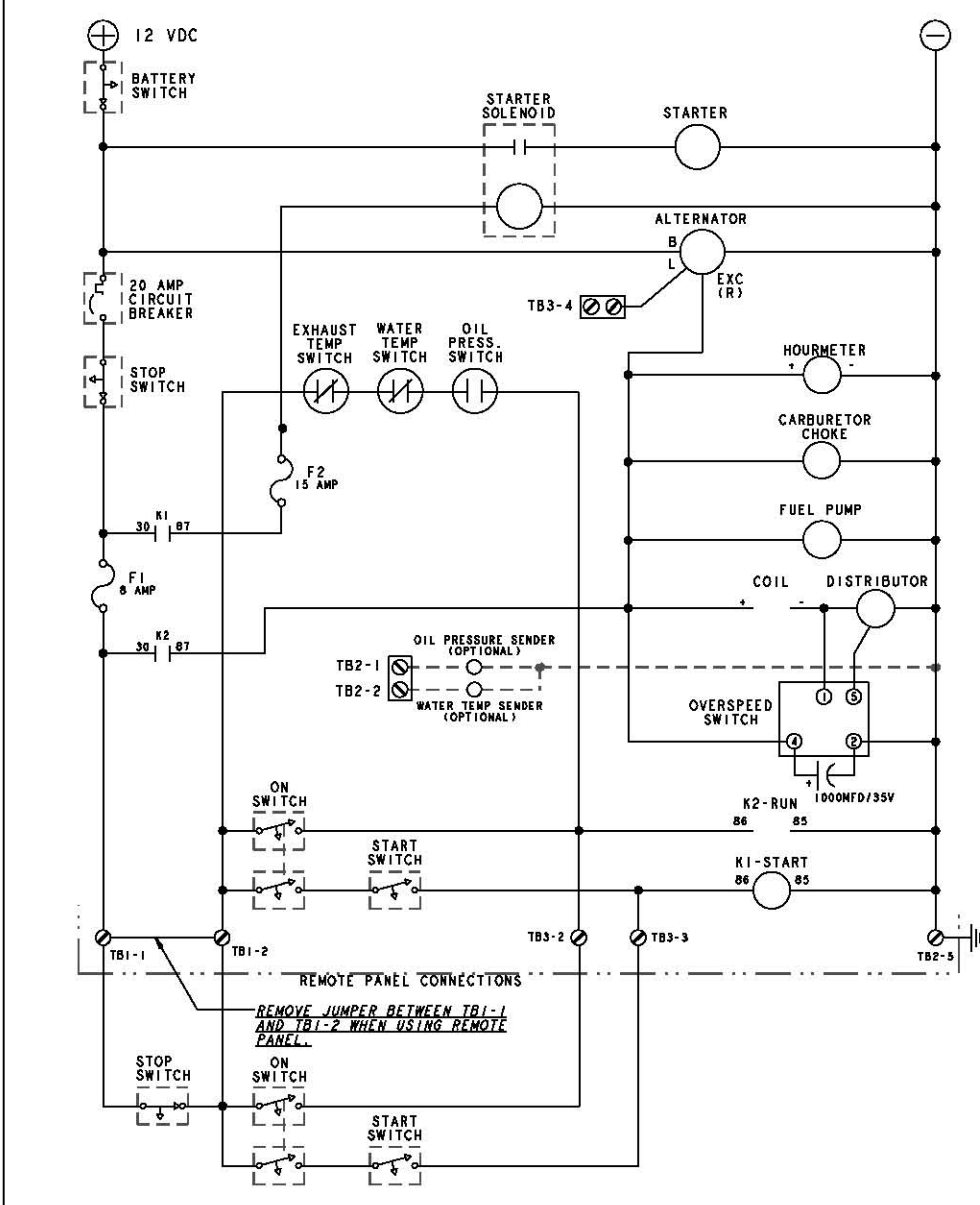


ECO NO.	DATE	REV.	REVISION RECORD	INT.	DR. BY
4644	7/24/50	A	CHANGED WIRE COLOR TO MATCH HARNESS. P/W 4624 MODIFIED DIAGRAM TO MATCH PROTOTYPE PANEL BOX WIRING.		TSM
5712	4-8/2004	B	BALLAST RESISTOR WAS REMOVED FROM COIL. UPDATE WIRING DIAGRAM.		GA



TOLERANCES		WESTERBEKE CORPORATION	
UNLESS OTHERWISE NOTED	INCHES	MILLIMETERS	AVON, MA., 02322
FINISH	AS SHOWN	AS SHOWN	
THREADS	PER ANSI B1.1	PER ISO 2618	
WELDING	PER AWS A5.1	PER ISO 5817	
SPRINGS	PER ASTM A229	PER ISO 3828	
ANGLE	PER ANSI B96.1	PER ISO 5457	
SHAPE	NONE	PER ISO 5457	
DATE		DATE	
DESIGNED BY		DESIGNED BY	
CHECKED BY		CHECKED BY	
DATE		DATE	
REV.		REV.	
DRAWING NO. 44580		REV. B	