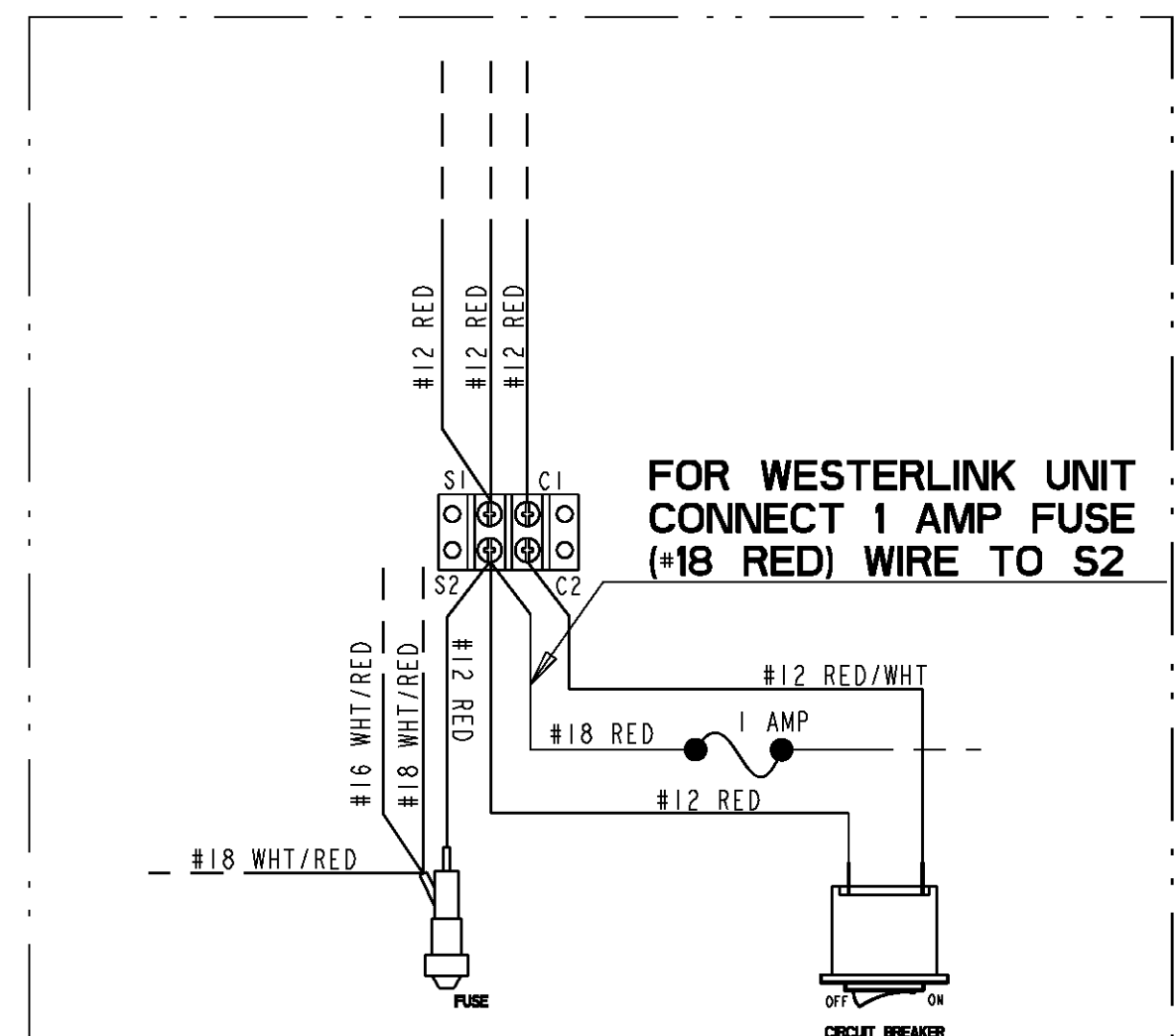
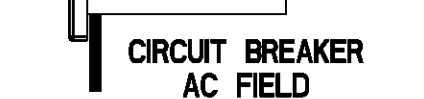
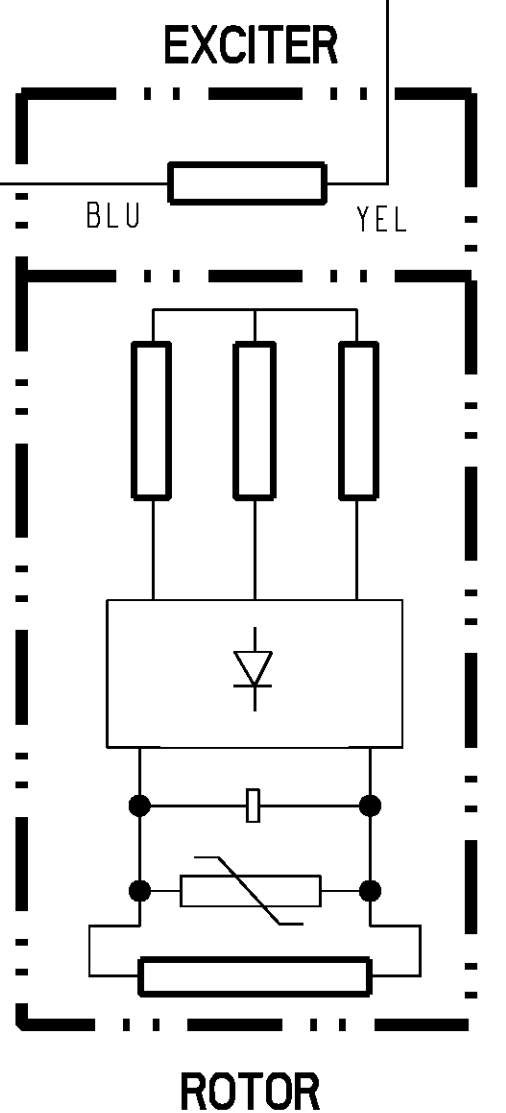
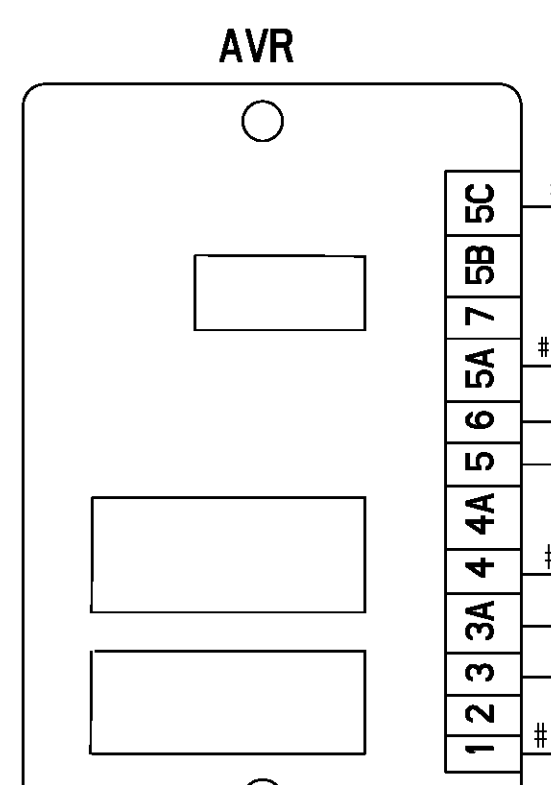
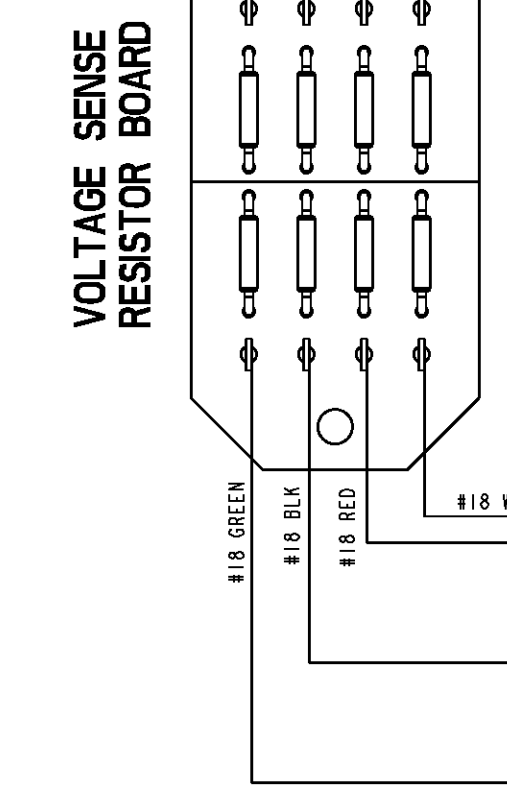
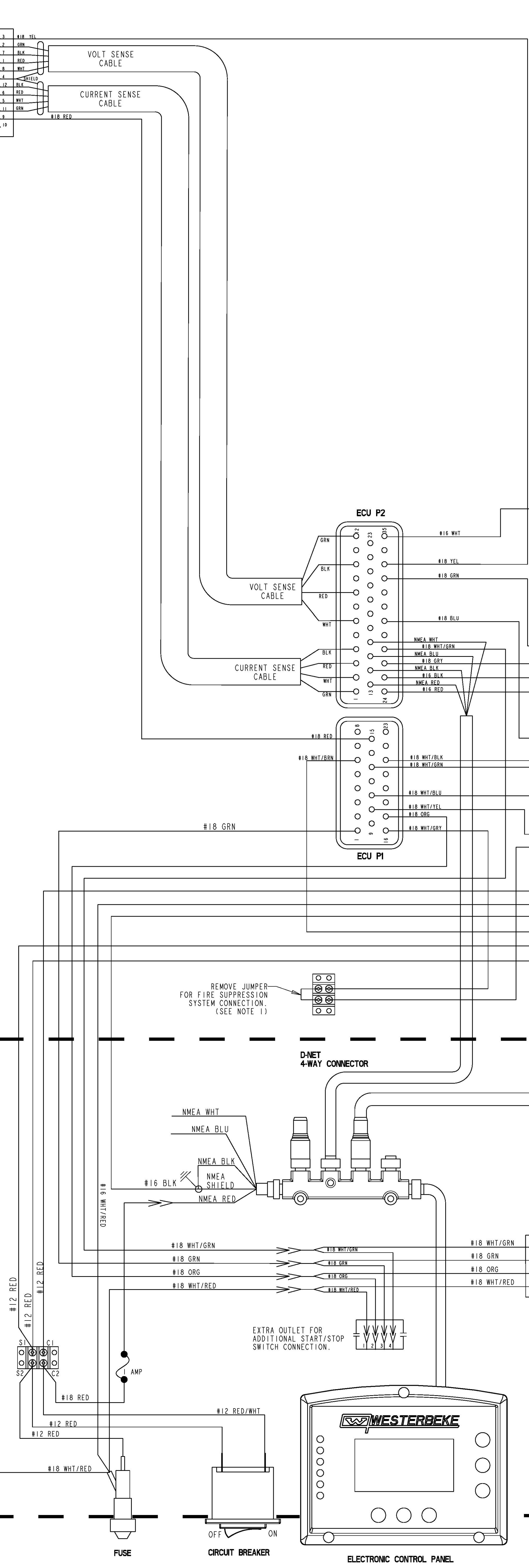
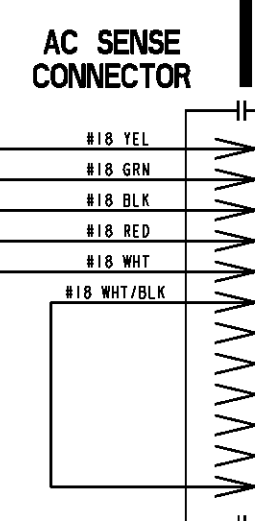
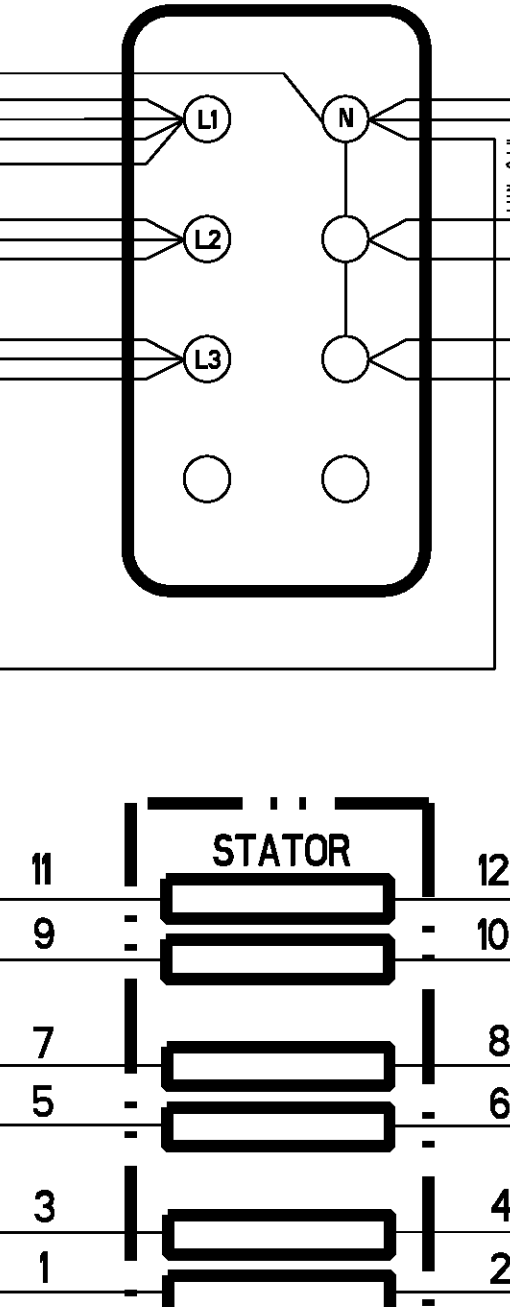


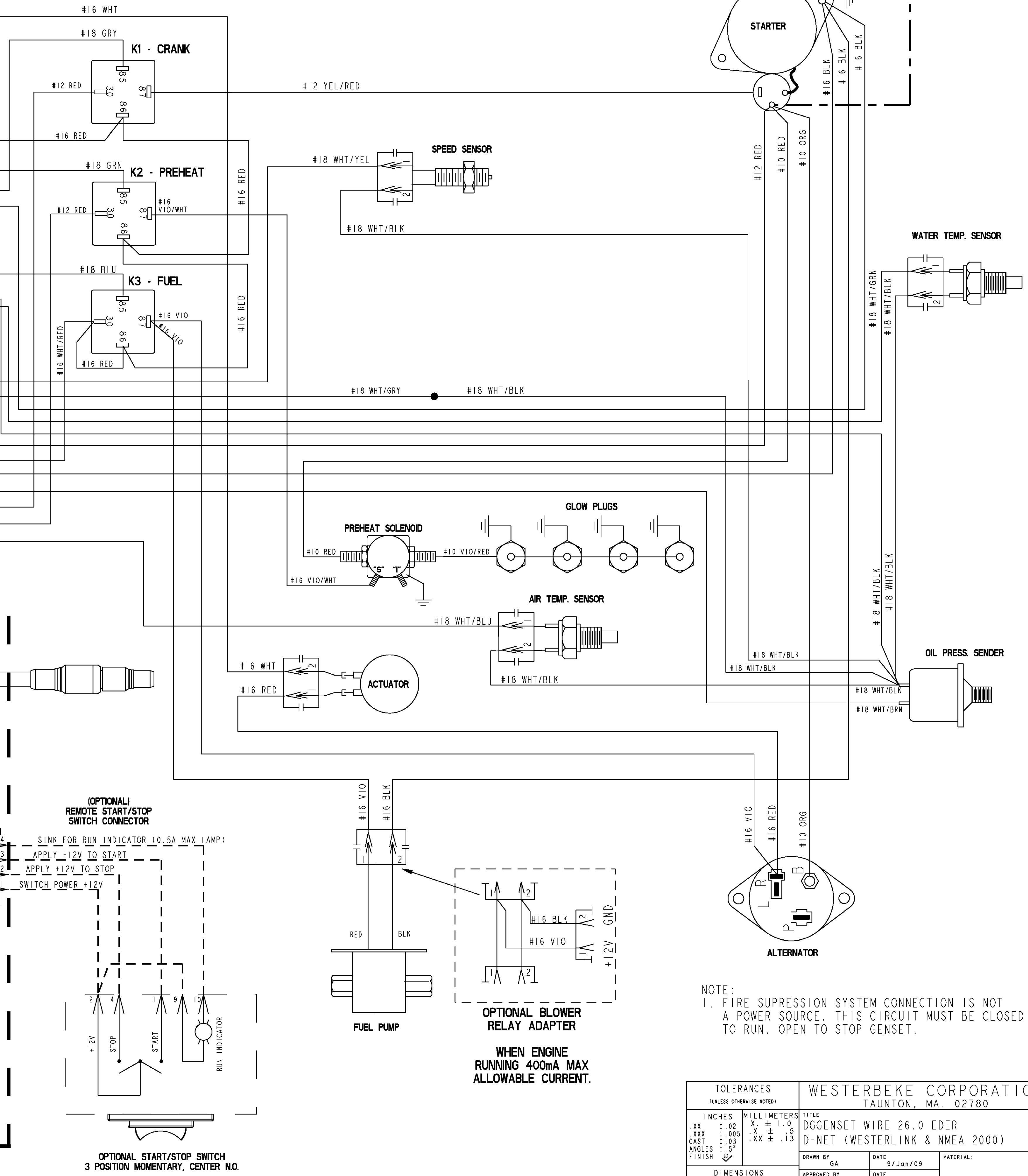
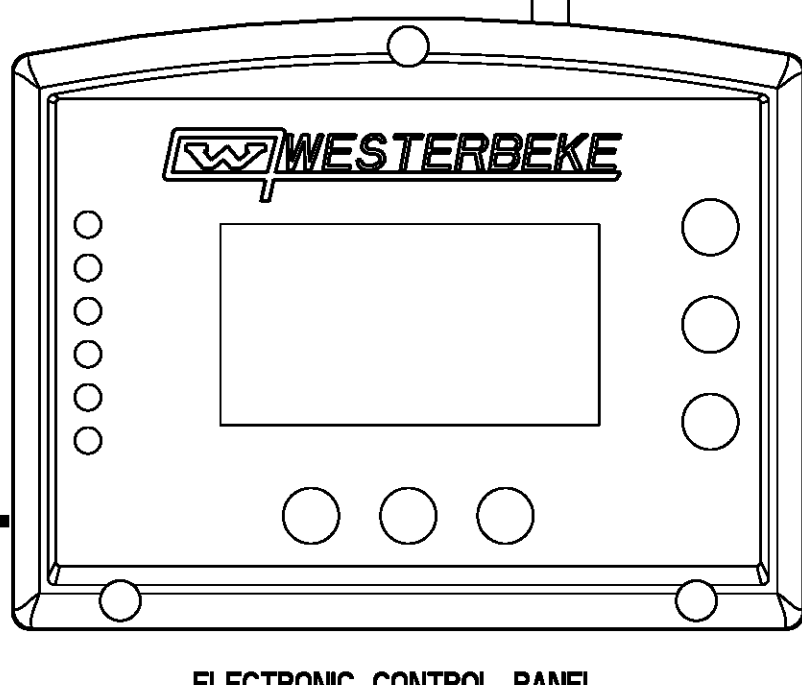
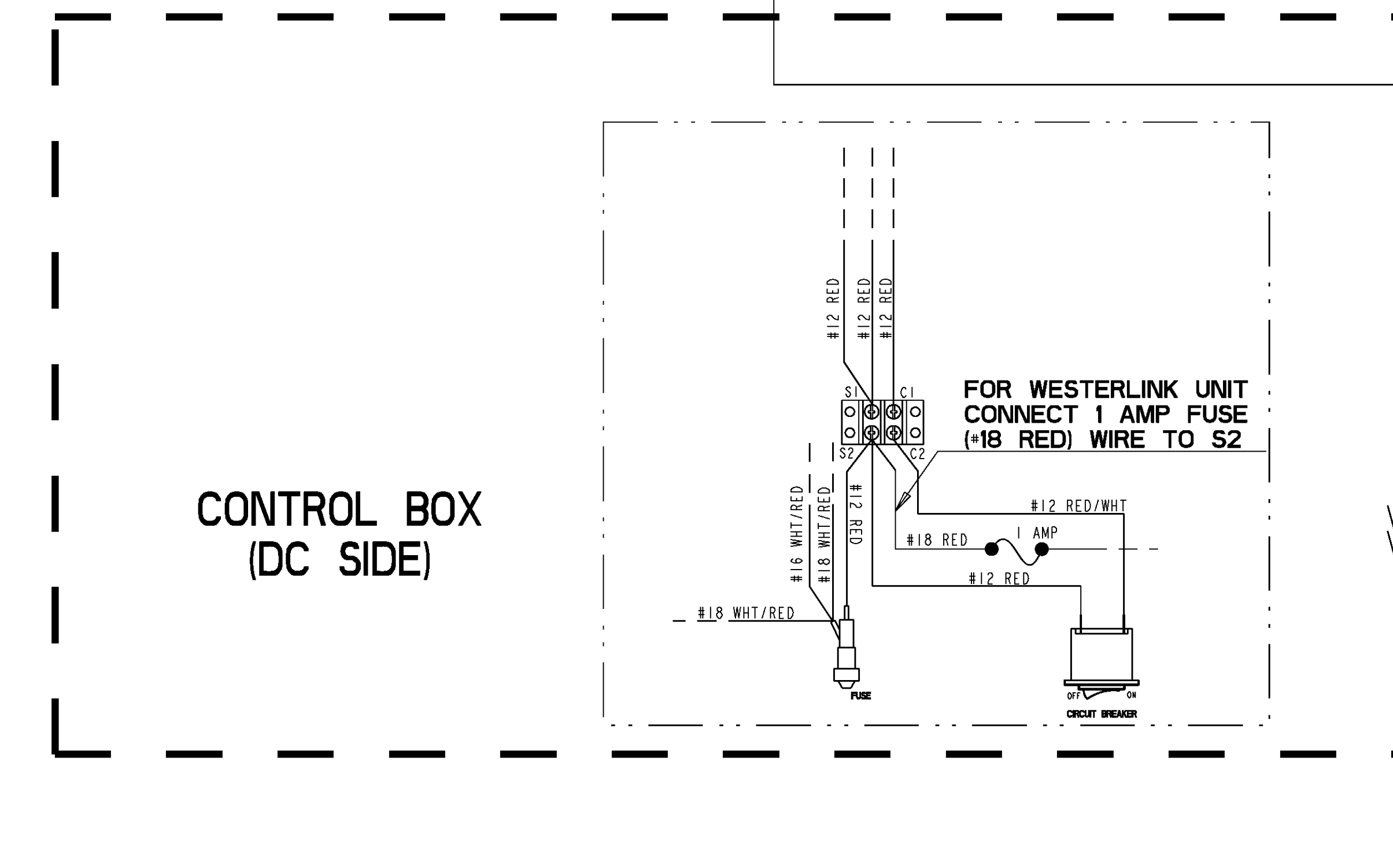
CONTROL BOX (AC SIDE)

TERMINAL BLOCK CONNECTIONS
SHOWN ARE CONFIGURED
FOR PARALLEL-WYE 190/208 VAC
REFER TO 53328 FOR OTHER AC WIRING

TERMINAL BLOCK



CONTROL BOX (DC SIDE)



NOTE:
1. FIRE SUPPRESSION SYSTEM CONNECTION IS NOT A POWER SOURCE. THIS CIRCUIT MUST BE CLOSED TO RUN. OPEN TO STOP GENSET.

| | | | |
|--|-------------|--|--------------------------------|
| TOLERANCES (UNLESS OTHERWISE NOTED) | | WESTERBEKE CORPORATION TAUNTON, MA. 02780 | |
| INCHES | MILLIMETERS | TITLE | DGGENSET WIRE 26.0 EDR |
| .XX | .02 | CAGE | D-NET (WESTERLINK & NMEA 2000) |
| .XXX | .005 | FINISH | 3X |
| ANGLES | 5° | DRAWN BY | GA |
| DATE | 9/Jan/09 | DATE | |
| APPROVED BY | | SCALE | NONE |
| DIMENSIONS | SCALE NONE | SIZE | DRAWING NUMBER |
| (WHEN APPLICABLE) | SHT. 1 OF 1 | E | 54469 |