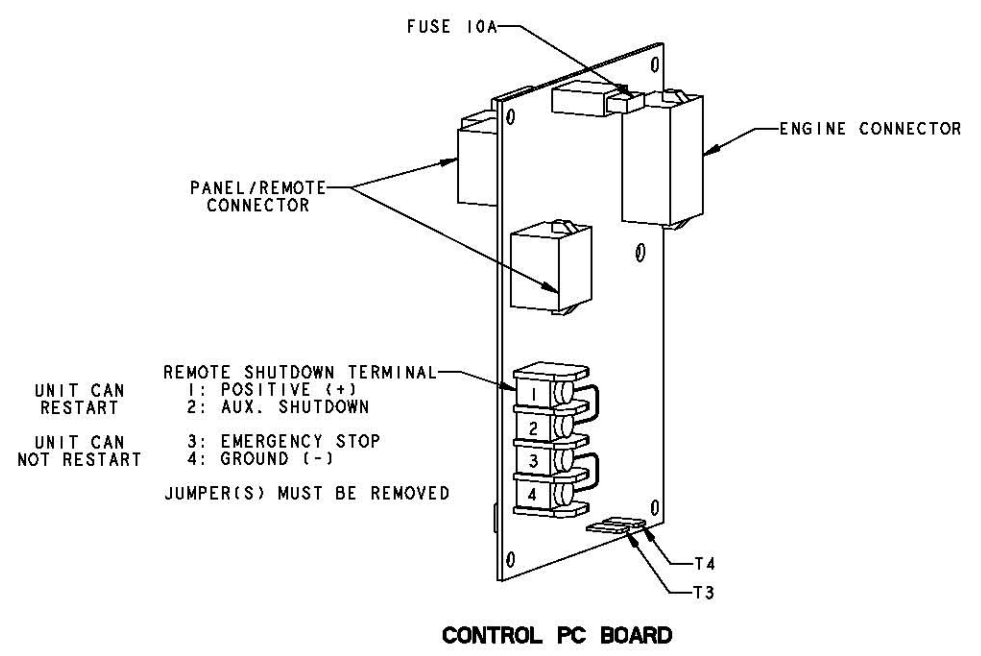
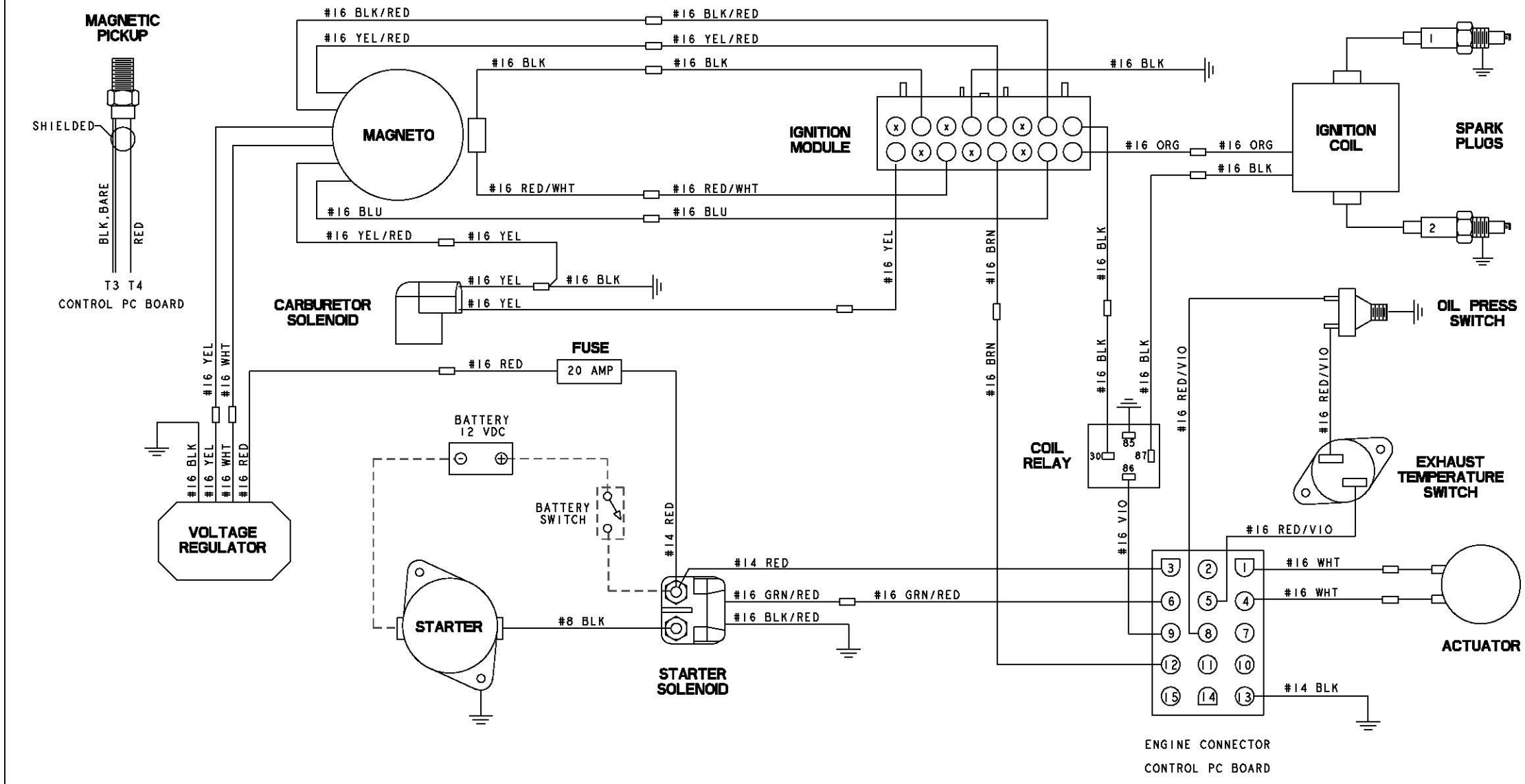


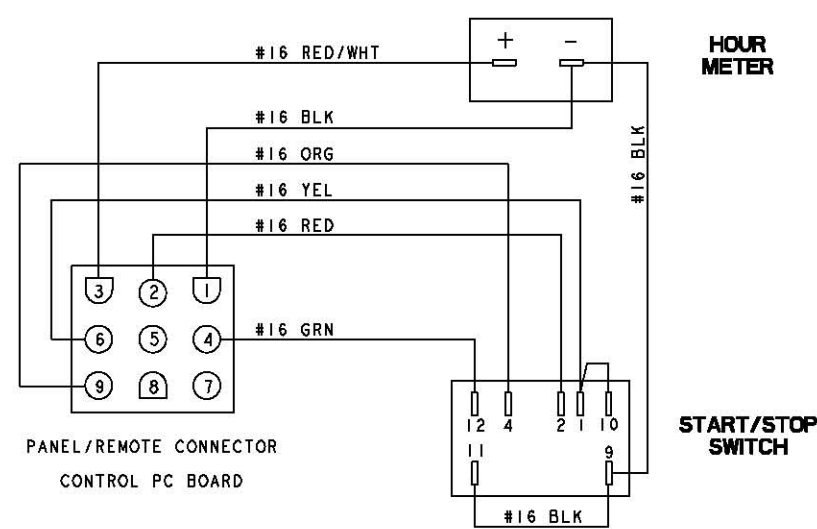
ECO NO.	DATE	REV.	REVISION RECORD	AUTH.	DR. BY
5467	2/11/2003	A	ADDED COIL RELAY		JCA



UNIT CAN RESTART
 UNIT CAN NOT RESTART

REMOTE SHUTDOWN TERMINAL
 1: POSITIVE (+)
 2: AUX. SHUTDOWN
 3: EMERGENCY STOP
 4: GROUND (-)

JUMPER(S) MUST BE REMOVED



TOLERANCES (UNLESS OTHERWISE NOTED)		WESTERBEKE CORPORATION TAUNTON, MA. 02780	
INCHES	MILLIMETERS	TITLE	
.XX : .02	X. ± 1.0	WIRING DIAGRAM 3.0 BPMG	
.XXX : .005	.X ± .5		
CAST : .03	.XX ± .13		
ANGLES: 5°			
FINISH			
DIMENSIONS	APPROVED BY	DATE	MATERIAL
INCHES	Jeremy Anderson	12/Sep/02	
MILLIMETERS			
SCALE NONE	SIZE	DRAWING NUMBER	REV.
(WHEN APPLICABLE)	SHY. 1 of 1	D 46987	A