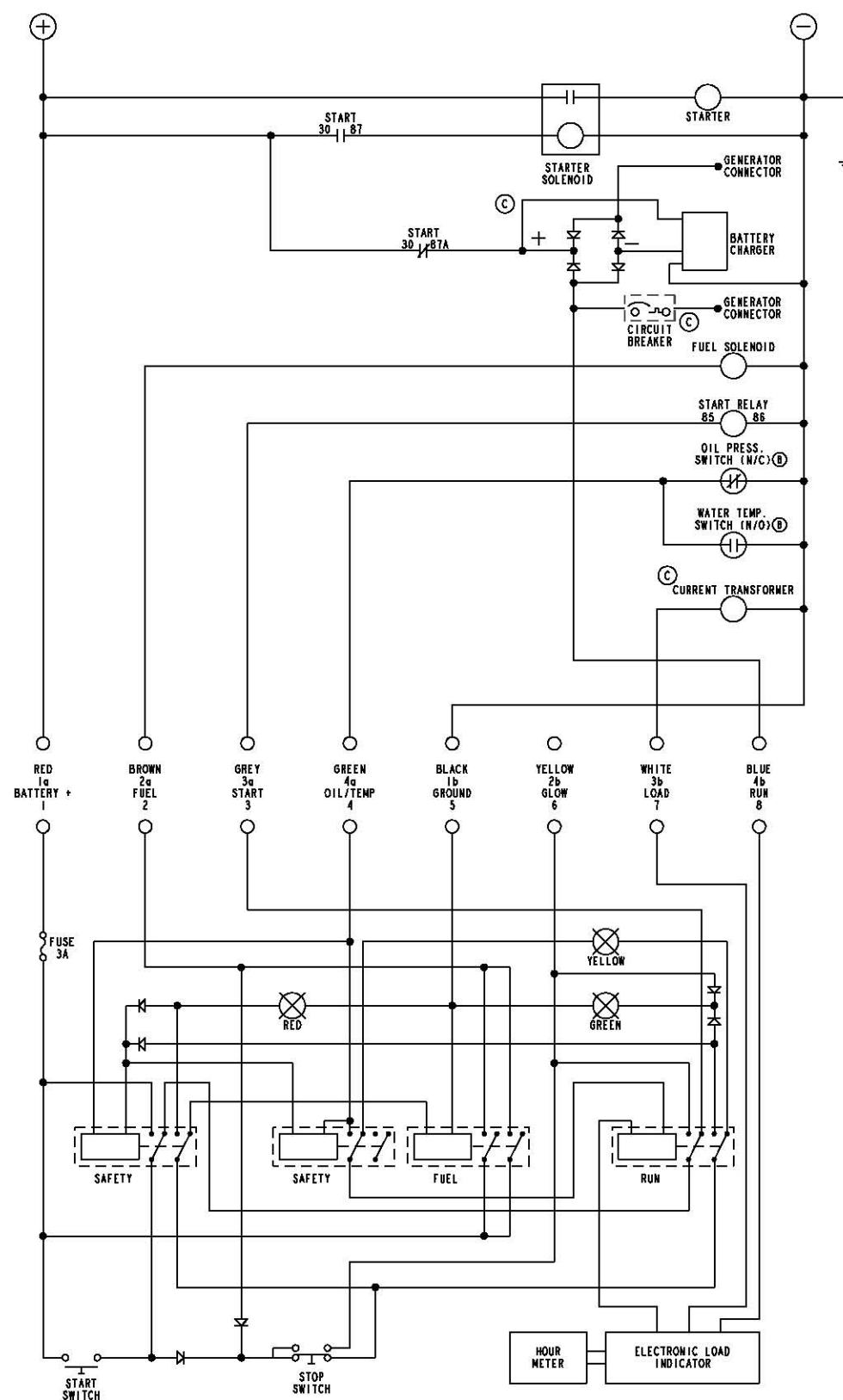
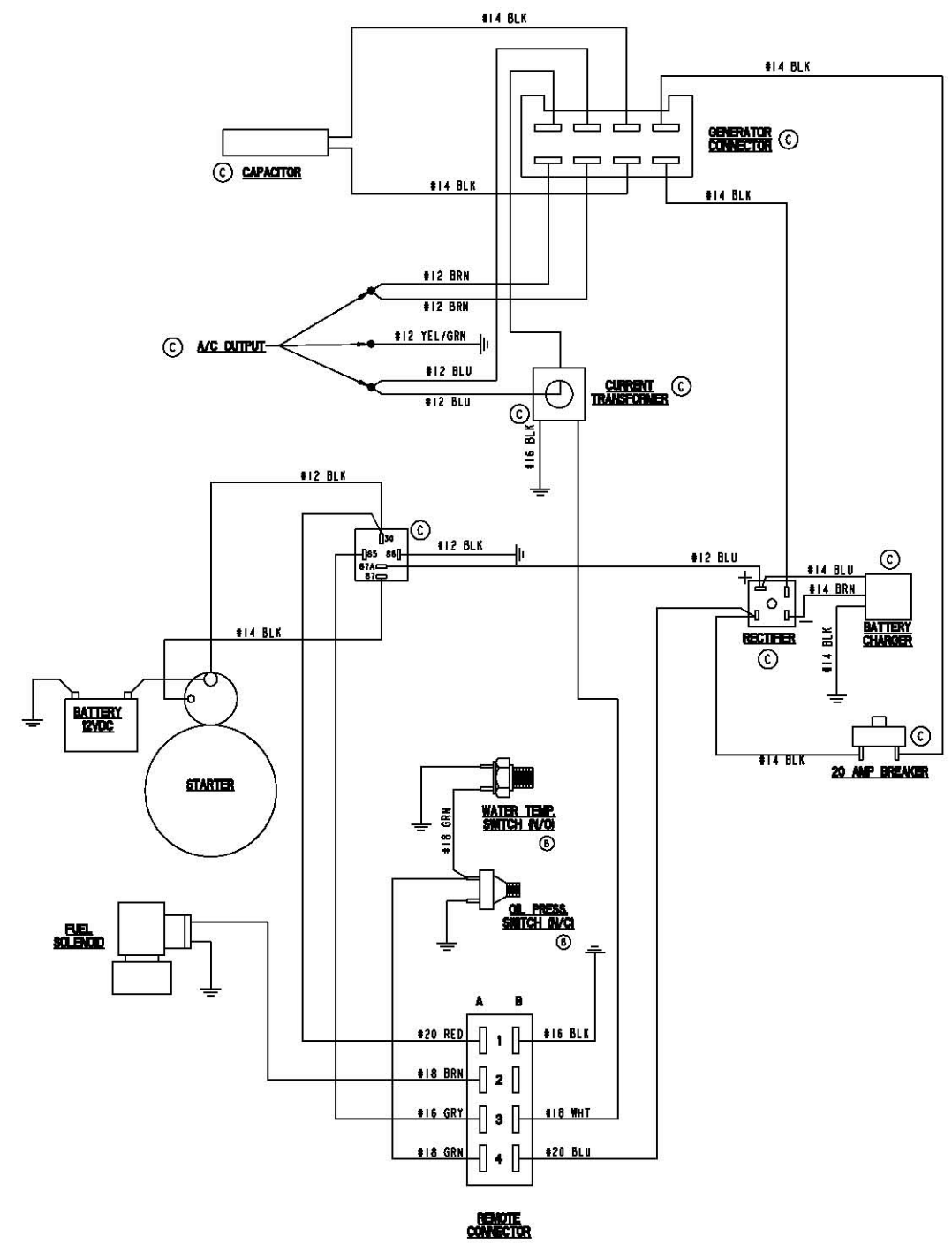


ECO NO.	DATE	REV.	REVISION RECORD	INIT.	DR. BY
4231	7/74	A	D. 47 WAS 47; ADDED GROUND.		CEU
4574	5/24 80	B	ADDED (N/O) TO WATER TEMP SWITCH; ADDED (N/C) TO OIL PRESS. SWITCH		JEC
4743	12/5 80	C	UPDATED BILLING FOR: BAT. CHARGE RECTIFIER; RELAY; CURRENT TRANS.; REMOVED FUSE & RESISTOR; ADDED BREAKER, OIL, COM., CAP., & A/C OUTPUT		TSM



**PREPARE:**  
PUSH START AND STOP  
SWITCHES SIMULTANEOUSLY

TOLERANCES		WESTERBEKE CORPORATION	
UNLESS OTHERWISE SPECIFIED		AVON MA. 02322	
INCHES	MILLIMETERS	TITLE	
±.0005	±.01	WIRING DIAGRAM / SCHEMATIC	
±.001	±.02	4.2KW/3.5KW BCDT	
±.002	±.05	DATE	REV.
±.005	±.125	12/21/80	
±.010	±.315	DESIGNED BY	APPROVED BY
		JEC	
DIMENSIONS	SCALE NONE	DATE	PROJECT NUMBER
INCHES			
MILLIMETERS			
OTHER APPLICABLE	SHEET 1 OF 1	44163	C