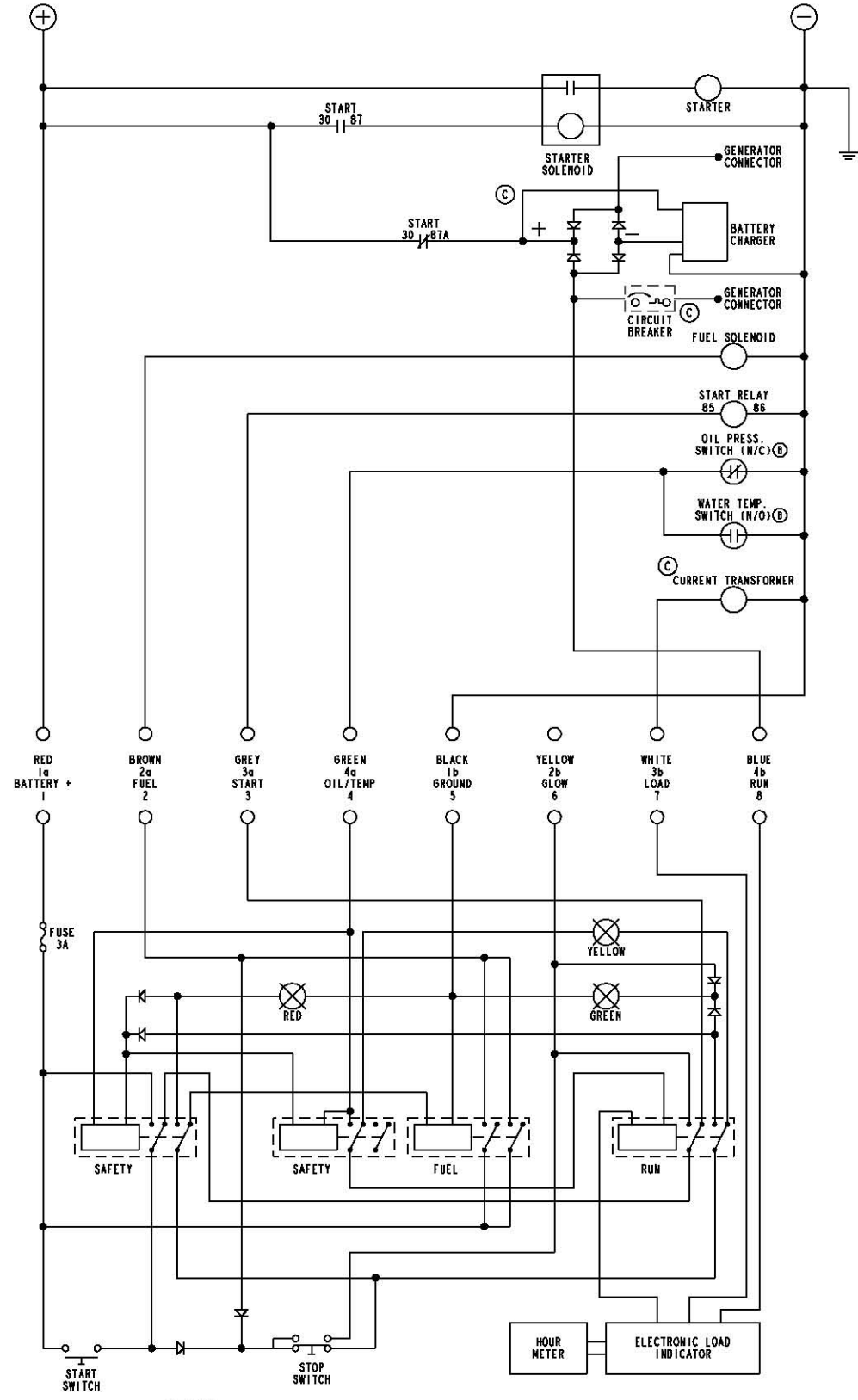
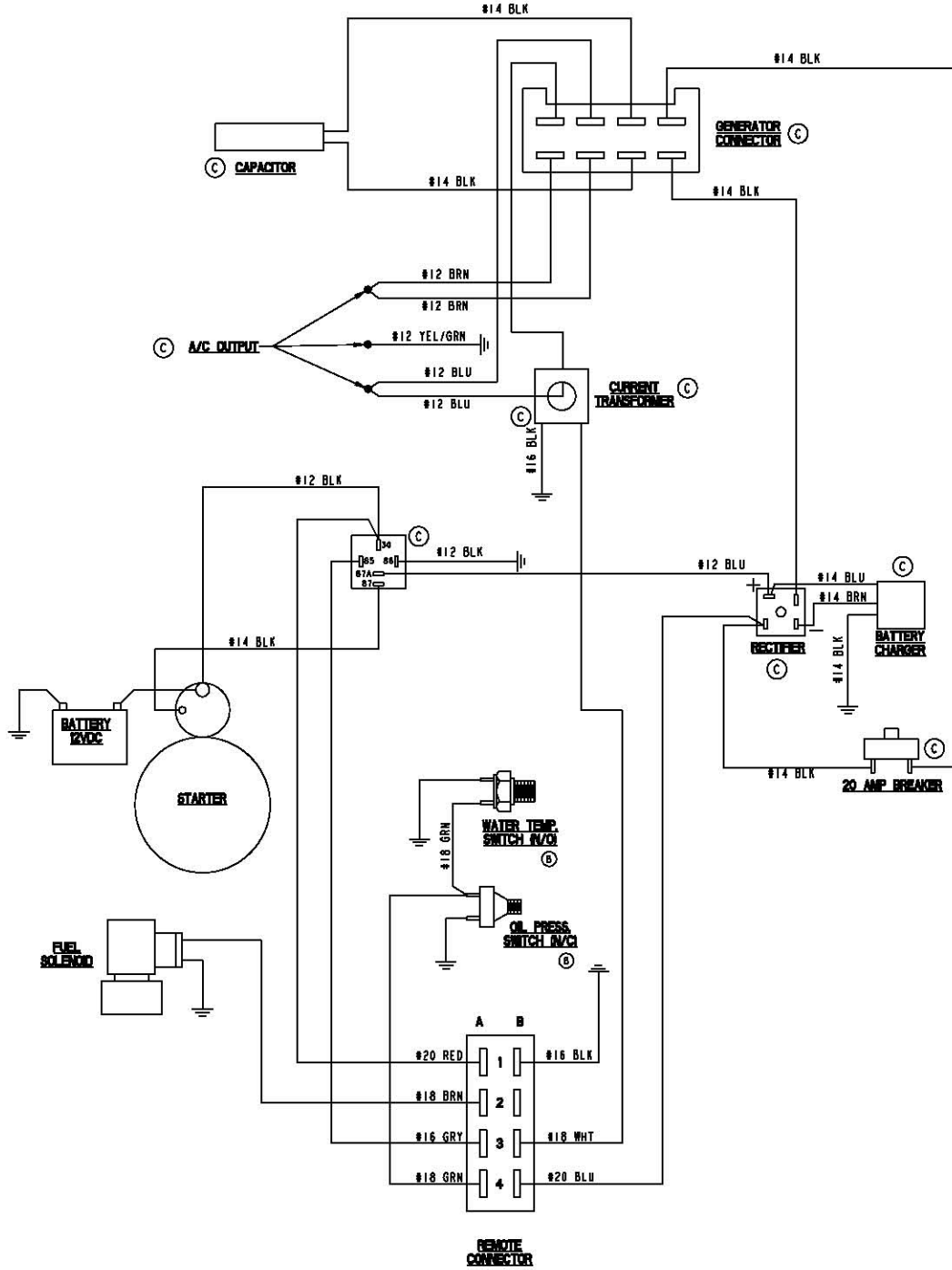


ECO NO.	DATE	REV.	REVISION RECORD	INIT.	DR. BY
4231	1/24	A	D. 47 WAS 47; ADDED GROUND.		CEU
4574	5/24	B	ADDED (N/O) TO WATER TEMP SWITCH ADDED (N/C) TO OIL PRESS. SWITCH		JEC
4743	12/5	C	UPDATED BILLING FOR: BATT. CHARGE RECTIFIER, RELAY, CURRENT TRANS. REMOVED FREE 2 RESISTOR, LOWER BREAKER, OIL PRESS. SW. & A/C OUTPUT		TSM
4819	8/17	D	CHANGE IN TITLE: 3.0/3.5 FROM 4.2/3.5		LLM



**NOTE:**  
PUSH START AND STOP SWITCHES SIMULTANEOUSLY

TOLERANCES		WESTERBEKE CORPORATION AVON MA. 02322	
UNLESS OTHERWISE SPECIFIED			
INCHES	MILLIMETERS	TITLE: WIRING DIAGRAM / SCHEMATIC	
±.0005	±.0125	3.8KW/3.5KW BCDT ©	
±.001	±.025	DATE: 02/18/01	REV: 1
±.002	±.050	APPROVED BY: JEC	DATE: 02/18/01
±.005	±.125	SCALE: NONE	BY: JEC
±.010	±.250	OTHER APPROVALS:	44163
±.020	±.500		D