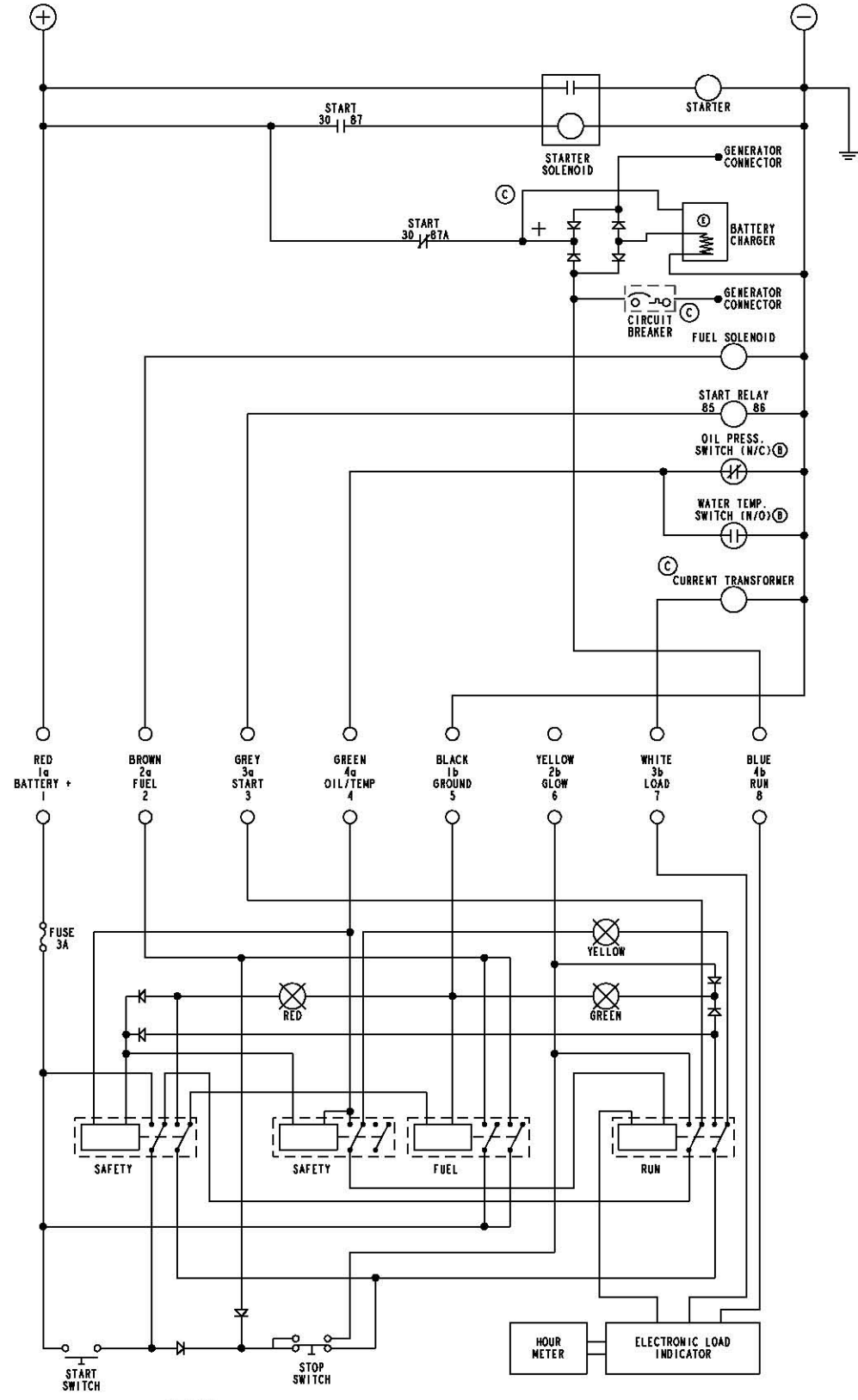
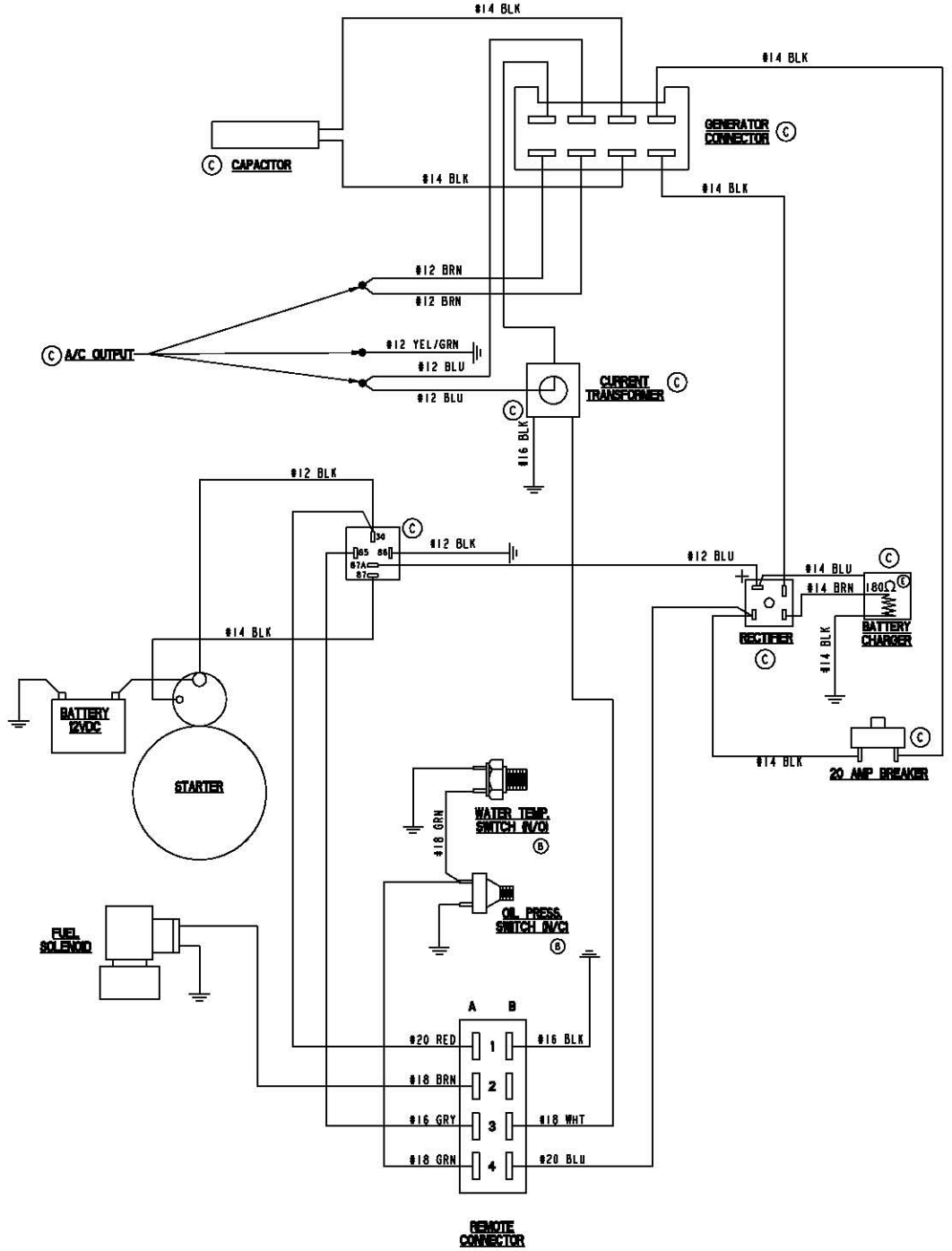


| ECO NO. | DATE | REV. | REVISION RECORD | INIT. | DR. BY |
|---------|------|------|--|-------|--------|
| 4231 | 1/24 | A | D. 47 WAS 47; ADDED GROUND. | | CEU |
| 4574 | 5/24 | B | ADDED (N/O) TO WATER TEMP SWITCH; ADDED (N/C) TO OIL PRESS. SWITCH | | JEC |
| 4743 | 12/5 | C | UPDATED WIRING FOR: BATT. CHARGER, RECTIFIER, RELAY, CURRENT TRANS. REMOVED FREE 2 RESISTOR; LOWER BREAKER, OIL PRESS. CAP. 2 A.F.C. ON UNIT | | TSM |
| 4819 | 5/14 | D | CHANGE IN TITLE: 3.0/3.5 FROM 4.2/3.5 | | LLM |
| 4885 | 1/14 | E | ADDED RESISTOR TO BATTERY CHARGER | | JCH |



PREPARE:
PUSH START AND STOP SWITCHES SIMULTANEOUSLY

| TOLERANCES | | WESTERBEKE CORPORATION | |
|----------------------------|-------------|----------------------------|---------------|
| UNLESS OTHERWISE SPECIFIED | | AVON MA. 02322 | |
| INCHES | MILLIMETERS | TITLE | |
| AS SHOWN | AS SHOWN | WIRING DIAGRAM / SCHEMATIC | |
| ±.0005 | ±.0254 | 3.0KW/3.5KW BCDT © | |
| ±.0010 | ±.0508 | DATE | REV. |
| ±.0015 | ±.0762 | 02/18/01 | |
| ±.0020 | ±.1016 | APPROVED BY | DATE |
| ±.0030 | ±.1270 | JEC | 02/18/01 |
| ±.0040 | ±.1524 | SCALE | SIZE |
| ±.0050 | ±.1778 | NONE | NUMBER SHEETS |
| ±.0060 | ±.2032 | 1 OF 1 | REV. |
| ±.0070 | ±.2286 | | 44163 |
| ±.0080 | ±.2540 | | E |