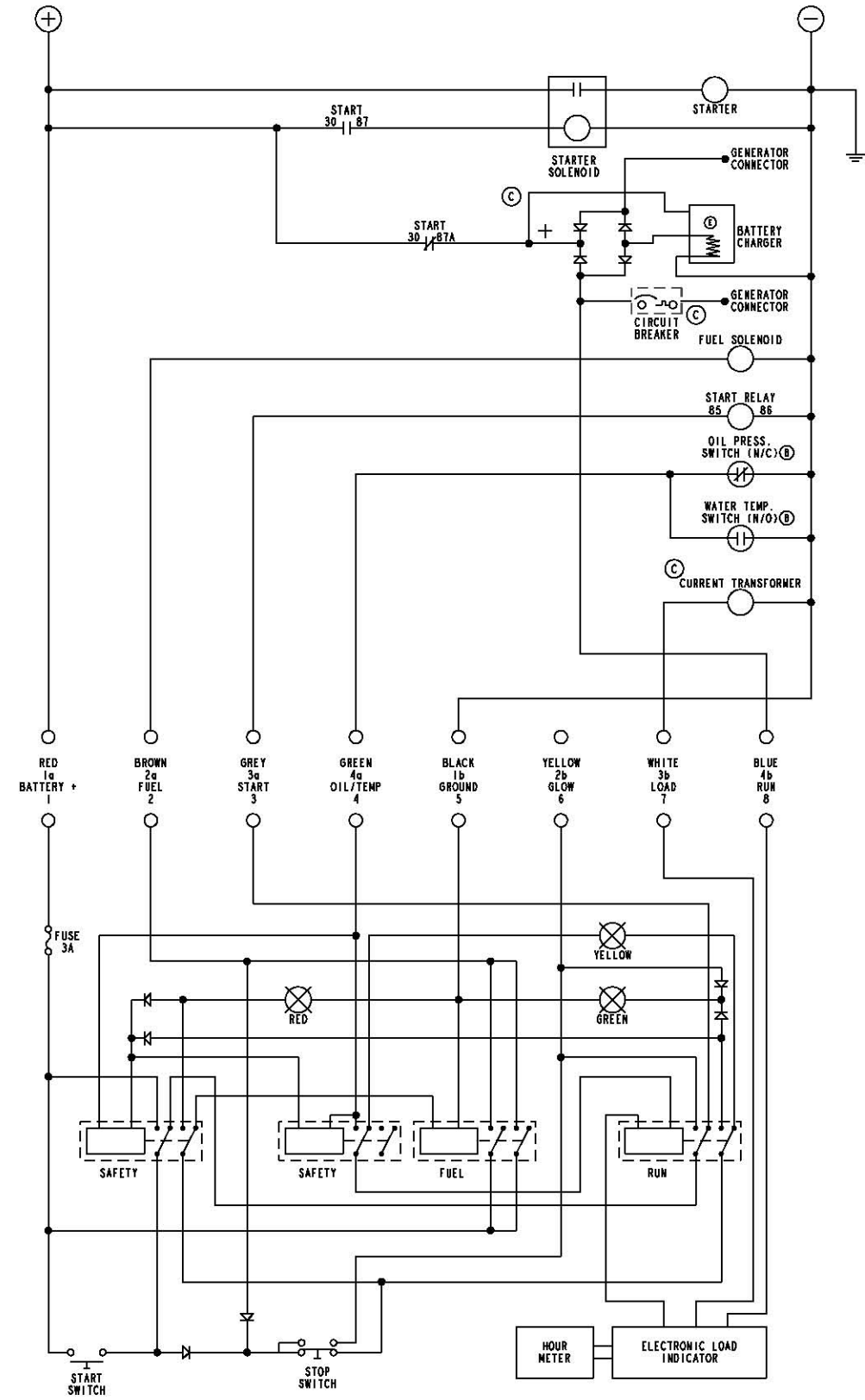


ECO NO.	DATE	REV.	REVISION RECORD	INIT.	DR. BY
4231	1/24	A	D. 47 WAS 47; ADDED GROUND.		CEU
4574	5/24	B	ADDED (N/O) TO WATER TEMP SWITCH; ADDED (N/C) TO OIL PRESS. SWITCH		JEC
4743	12/5	C	UPDATED BILLING FOR: BATT. CHARGER RECTIFIER, RELAY, CURRENT TRANS. REMOVED FREE 2 RESISTOR; LOWER BREAKER, OIL PRESS. CAP. 2 A.F. ON UNIT		TSM
4819	5/14	D	CHANGE IN TITLE: 3.0/3.5 FROM 4.2/3.5		LLM
4885	1/19	E	ADDED RESISTOR TO BATTERY CHARGER		JCH
5004	1/19	F	ADDED JUMPER #10 WHITE/GREEN		RM



PREPARE:
PUSH START AND STOP
SWITCHES SIMULTANEOUSLY

TOLERANCES		WESTERBEKE CORPORATION	
UNLESS OTHERWISE SPECIFIED		AVON MA. 02322	
INCHES	MILLIMETERS	TITLE	
1/16	1.5	WIRING DIAGRAM / SCHEMATIC	
1/32	0.75	3.8KW/3.5KW BCDT	
1/64	0.375	DATE	REV.
1/128	0.1875	02/18/01	
DIMENSIONS		APPROVED BY	DATE
INCHES			
MILLIMETERS		SCALE	NONE
OTHER APPLICABLE		DRW. NO.	44163
		PAGE	1 OF 1