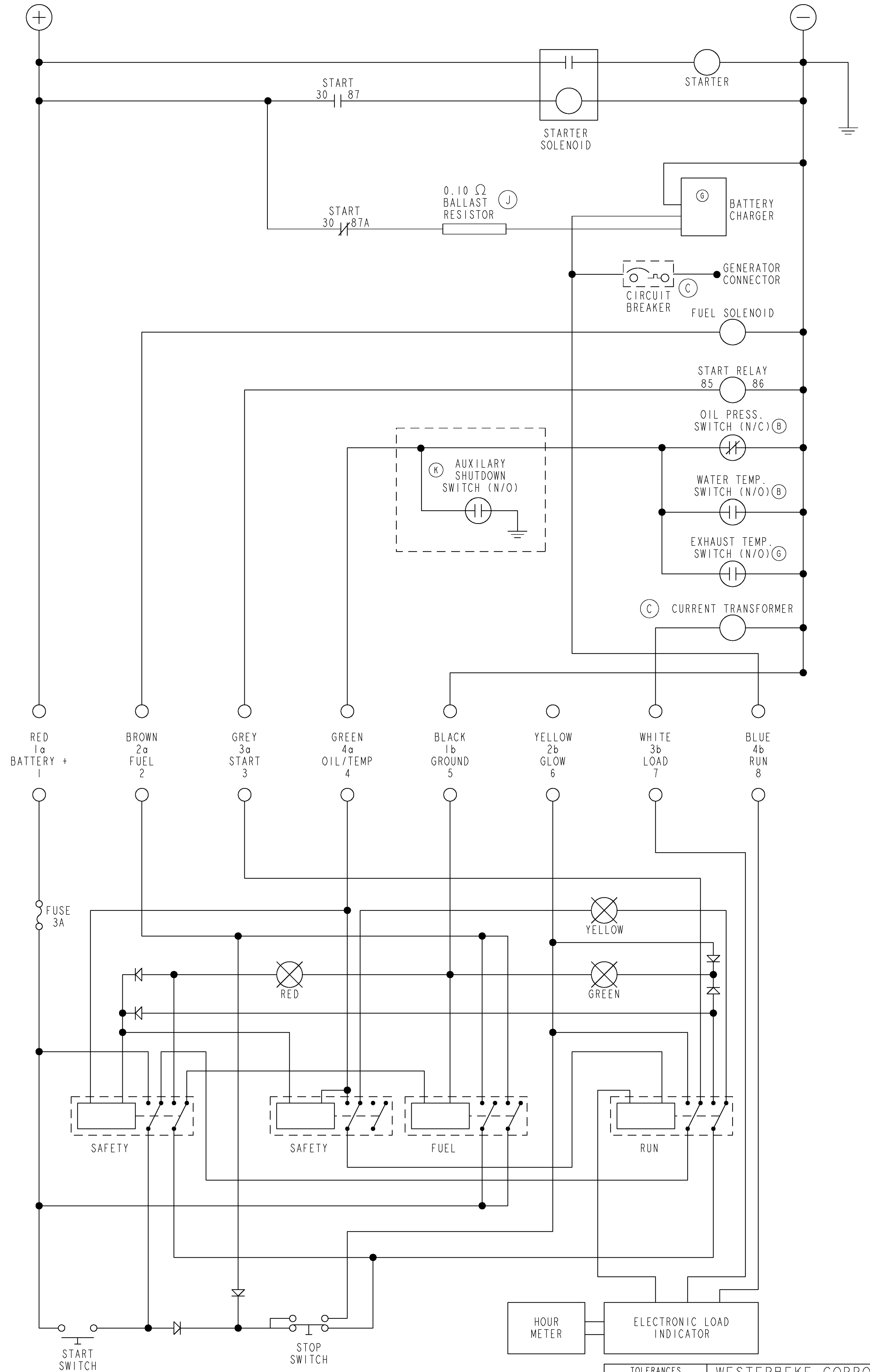
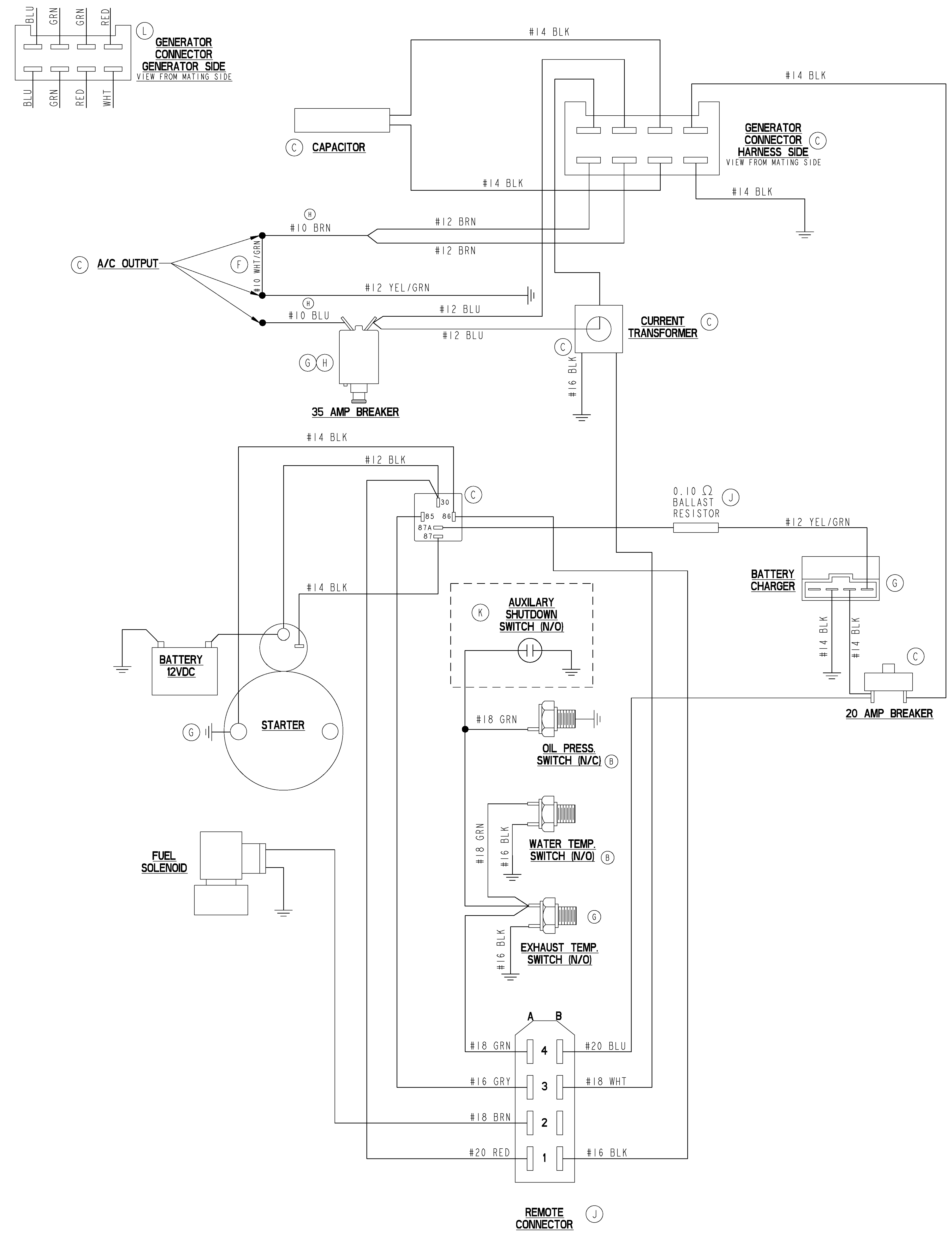


ECO NO.	DATE	REV.	REVISION RECORD	AUTH.	DR. BY
4231	9/24/00	A	0.47 WAS 47; ADDED GROUND.		CEU
4574	5/24/00	B	ADDED (N/O) TO WATER TEMP SWITCH ADDED (N/C) TO OIL PRESS. SWITCH		JEC
4743	12/5/00	C	UPDATED WIRING FOR: BAT. CHARGER; RECTIFIER; RELAY; CURRENT TRANS.; REMOVED FUSE & RESISTOR; ADDED BREAKER, GEN. CONN., CAP. & A/C OUTPUT.		TSM
4819	7/14/01	D	CHANGE IN TITLE: 3.8/3.5 FROM 4.2/3.5		LLM
4885	4/18/01	E	ADDED RESISTOR TO BATTERY CHARGER		JCH
5004	4/3/01	F	ADDED JUMPER #10 WHITE/GREEN		RM
5187	2/1/02	G	UPDATED BATTERY CHARGING CIRCUIT ADD EXHAUST TEMP SWITCH & 35A C.B. ADDED GROUND WIRE TO STARTER.		TSM
5262	4/19/02	H	MOVED 35A BRKR FROM NEUTRAL TO L.L. ADDED #10 BLU AND #10 BRN WIRES.		TSM
5451	2/3/03	J	ADDED 0.100 BALLAST RESISTOR REDRAWN REMOTE CONNECTOR UPSIDE DOWN		GA
5827	8/27/03	K	ADDED AUXILIARY SHUTDOWN SWITCH		JCA
6627	8/27/03	L	ADD GENERATOR CONNECTOR VIEW.		GA



**PREHEAT:
PUSH START AND STOP
SWITCHES SIMULTANEOUSLY**

TOLERANCES (UNLESS OTHERWISE NOTED)		WESTERBEKE CORPORATION AVON MA. 02322	
INCHES	MILLIMETERS	TITLE	
.XX	.02	WIRING DIAGRAM / SCHEMATIC	
.XXX	.005	3.8KW/3.5KW BCDT	
CAM	.03	DRAWN BY	DATE
ANGLES	3°	JEC	02/14/01
FINISH	3X	APPROVED BY	MATERIAL:
		JEC	
DIMENSIONS	SCALE	SIZE	DRAWING NUMBER
INCHES	NONE	E	44163
MILLIMETERS		SHT. 1 of 1	REV. L