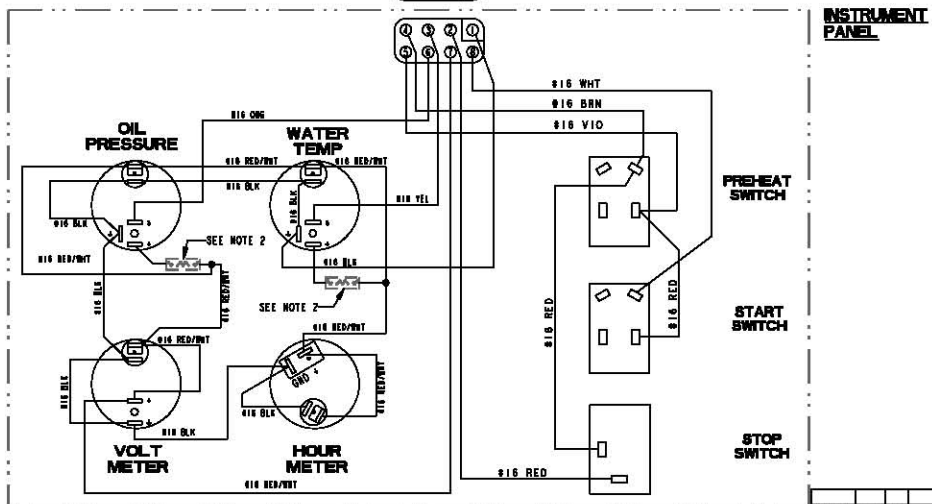
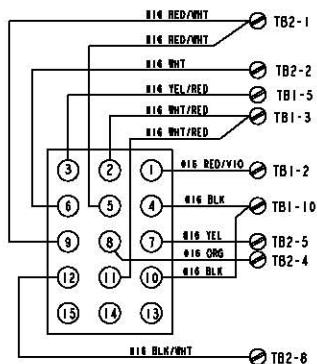


NOTE:
1. REMOVE JUMPER WHEN CONNECTING A SECOND REMOTE PANEL.



TOLERANCES UNLESS OTHERWISE SPECIFIED	WESTERBEKE CORPORATION AVON, MA. 02322
INCHES MILLIMETERS	
FRACTIONS DECIMALS	
DIMENSIONS IN INCHES DECIMALS	WIRING DIAGRAM/SCHEMATIC 32.0 BEDA 12-24VDC DOUBLE WALL UNGD - SRC
SCALE NONE	DESIGNED BY DATE
APP. 4/8/60	DRAWN BY DATE
48513	REV.

ECO. NO.	DATE	REV.	REVISION RECORD	ART.	DR. DT.