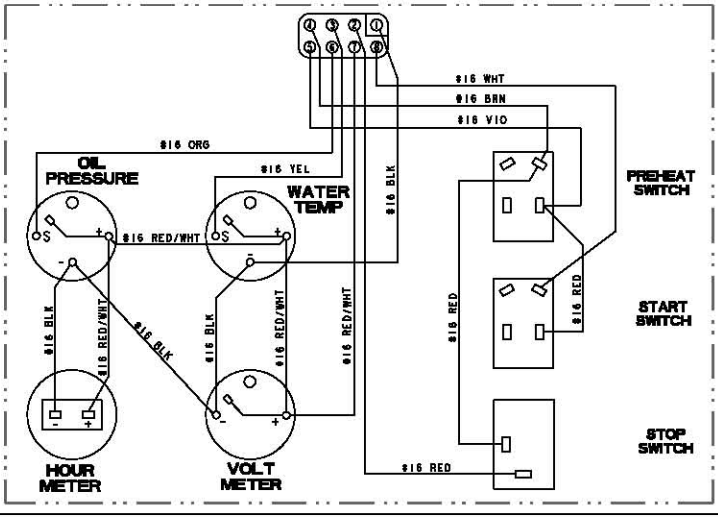
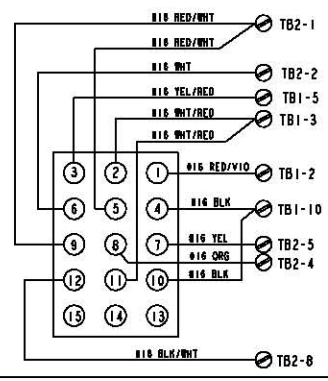


NOTE:
 1. REMOVE JUMPER WHEN CONNECTING A SECOND REMOTE PANEL.
 2. GROUND "1" TERMINAL OF PREHEAT SOLENOID ON 24V SYSTEM ONLY.



NOTE:
 ○ REMOTE CONNECTOR PINS

| | | | | |
|---------|------|------|-----------------------|--------------|
| 5536 | 4-28 | A | ADDED OVERSPEED BOARD | GA |
| ECO NO. | DATE | REV. | REVISION RECORD | AUTH. OR. BY |

| | |
|--|---|
| TOLERANCES UNLESS OTHERWISE SPECIFIED | WESTERBEKE CORPORATION AVON, MA. 02322 |
| INCHES FRACTIONS DECIMALS MILLIMETERS | TITLE WIRING DIAGRAM/SCHEMATIC, 32.0 BEDA-SRC DOUBLE WALL FUEL LINE |
| DIMENSIONS INCHES MILLIMETERS | DATE 3/12/19/2008 |
| SCALE NONE | REV. 48659 |