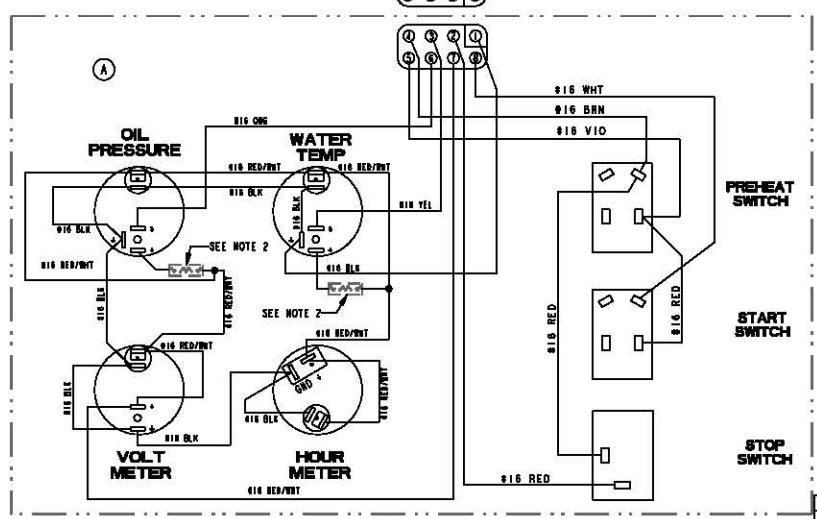
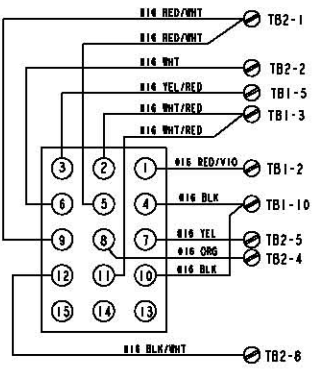


-TYPICAL REMOTE START/STOP PANEL CONNECTIONS-

NOTE:
 1. REMOTE CONNECTOR PINS
 2. FOR 24 VOLT SYSTEM, USE 150Ω RESISTOR AS SHOWN.

NOTE:
 1. REMOVE JUMPER WHEN CONNECTING A SECOND REMOTE PANEL.



INSTRUMENT PANEL

ECO NO.	DATE	REV.	REVISION RECORD	AUTH.	DR. BY
5121	11/18	A	RAISED CHANGED, RETIRED INSTRUMENT PANEL CORRECTED SCHEMATIC	JRS	

TOLERANCES		WESTERBEKE CORPORATION	
UNLESS OTHERWISE SPECIFIED		AVON MA. 02322	
INCHES	MILLIMETERS	TITLE	
1/16" ± .0015	1.5 ± .02	WIRING DIAGRAM/SCHEMATIC, 32.0 BEDA	
1/32" ± .0010	1.0 ± .015	12-24VDC UNGROUNDED - SRC	
3/32" ± .0010	1.0 ± .015	DATE	REV.
1/8" ± .0015	1.5 ± .02	DATE	REV.
1/4" ± .0020	2.0 ± .03	DATE	REV.
1/2" ± .0030	3.0 ± .045	DATE	REV.
3/4" ± .0045	4.5 ± .06	DATE	REV.
1" ± .0060	6.0 ± .08	DATE	REV.
1 1/4" ± .0075	7.5 ± .10	DATE	REV.
1 1/2" ± .0090	9.0 ± .12	DATE	REV.
1 3/4" ± .0105	10.5 ± .135	DATE	REV.
2" ± .0120	12.0 ± .15	DATE	REV.
2 1/4" ± .0135	13.5 ± .165	DATE	REV.
2 1/2" ± .0150	15.0 ± .18	DATE	REV.
2 3/4" ± .0165	16.5 ± .195	DATE	REV.
3" ± .0180	18.0 ± .21	DATE	REV.
3 1/4" ± .0195	19.5 ± .225	DATE	REV.
3 1/2" ± .0210	21.0 ± .24	DATE	REV.
3 3/4" ± .0225	22.5 ± .255	DATE	REV.
4" ± .0240	24.0 ± .27	DATE	REV.
4 1/4" ± .0255	25.5 ± .285	DATE	REV.
4 1/2" ± .0270	27.0 ± .30	DATE	REV.
4 3/4" ± .0285	28.5 ± .315	DATE	REV.
5" ± .0300	30.0 ± .33	DATE	REV.
5 1/4" ± .0315	31.5 ± .345	DATE	REV.
5 1/2" ± .0330	33.0 ± .36	DATE	REV.
5 3/4" ± .0345	34.5 ± .375	DATE	REV.
6" ± .0360	36.0 ± .39	DATE	REV.
6 1/4" ± .0375	37.5 ± .405	DATE	REV.
6 1/2" ± .0390	39.0 ± .42	DATE	REV.
6 3/4" ± .0405	40.5 ± .435	DATE	REV.
7" ± .0420	42.0 ± .45	DATE	REV.
7 1/4" ± .0435	43.5 ± .465	DATE	REV.
7 1/2" ± .0450	45.0 ± .48	DATE	REV.
7 3/4" ± .0465	46.5 ± .495	DATE	REV.
8" ± .0480	48.0 ± .51	DATE	REV.
8 1/4" ± .0495	49.5 ± .525	DATE	REV.
8 1/2" ± .0510	51.0 ± .54	DATE	REV.
8 3/4" ± .0525	52.5 ± .555	DATE	REV.
9" ± .0540	54.0 ± .57	DATE	REV.
9 1/4" ± .0555	55.5 ± .585	DATE	REV.
9 1/2" ± .0570	57.0 ± .60	DATE	REV.
9 3/4" ± .0585	58.5 ± .615	DATE	REV.
10" ± .0600	60.0 ± .63	DATE	REV.
10 1/4" ± .0615	61.5 ± .645	DATE	REV.
10 1/2" ± .0630	63.0 ± .66	DATE	REV.
10 3/4" ± .0645	64.5 ± .675	DATE	REV.
11" ± .0660	66.0 ± .69	DATE	REV.
11 1/4" ± .0675	67.5 ± .705	DATE	REV.
11 1/2" ± .0690	69.0 ± .72	DATE	REV.
11 3/4" ± .0705	70.5 ± .735	DATE	REV.
12" ± .0720	72.0 ± .75	DATE	REV.
12 1/4" ± .0735	73.5 ± .765	DATE	REV.
12 1/2" ± .0750	75.0 ± .78	DATE	REV.
12 3/4" ± .0765	76.5 ± .795	DATE	REV.
13" ± .0780	78.0 ± .81	DATE	REV.
13 1/4" ± .0795	79.5 ± .825	DATE	REV.
13 1/2" ± .0810	81.0 ± .84	DATE	REV.
13 3/4" ± .0825	82.5 ± .855	DATE	REV.
14" ± .0840	84.0 ± .87	DATE	REV.
14 1/4" ± .0855	85.5 ± .885	DATE	REV.
14 1/2" ± .0870	87.0 ± .90	DATE	REV.
14 3/4" ± .0885	88.5 ± .915	DATE	REV.
15" ± .0900	90.0 ± .93	DATE	REV.
15 1/4" ± .0915	91.5 ± .945	DATE	REV.
15 1/2" ± .0930	93.0 ± .96	DATE	REV.
15 3/4" ± .0945	94.5 ± .975	DATE	REV.
16" ± .0960	96.0 ± .99	DATE	REV.
16 1/4" ± .0975	97.5 ± .1005	DATE	REV.
16 1/2" ± .0990	99.0 ± .102	DATE	REV.
16 3/4" ± .1005	100.5 ± .1035	DATE	REV.
17" ± .1020	102.0 ± .105	DATE	REV.
17 1/4" ± .1035	103.5 ± .1065	DATE	REV.
17 1/2" ± .1050	105.0 ± .108	DATE	REV.
17 3/4" ± .1065	106.5 ± .1095	DATE	REV.
18" ± .1080	108.0 ± .111	DATE	REV.
18 1/4" ± .1095	109.5 ± .1125	DATE	REV.
18 1/2" ± .1110	111.0 ± .114	DATE	REV.
18 3/4" ± .1125	112.5 ± .1155	DATE	REV.
19" ± .1140	114.0 ± .117	DATE	REV.
19 1/4" ± .1155	115.5 ± .1185	DATE	REV.
19 1/2" ± .1170	117.0 ± .120	DATE	REV.
19 3/4" ± .1185	118.5 ± .1215	DATE	REV.
20" ± .1200	120.0 ± .123	DATE	REV.
20 1/4" ± .1215	121.5 ± .1245	DATE	REV.
20 1/2" ± .1230	123.0 ± .126	DATE	REV.
20 3/4" ± .1245	124.5 ± .1275	DATE	REV.
21" ± .1260	126.0 ± .129	DATE	REV.
21 1/4" ± .1275	127.5 ± .1305	DATE	REV.
21 1/2" ± .1290	129.0 ± .132	DATE	REV.
21 3/4" ± .1305	130.5 ± .1335	DATE	REV.
22" ± .1320	132.0 ± .135	DATE	REV.
22 1/4" ± .1335	133.5 ± .1365	DATE	REV.
22 1/2" ± .1350	135.0 ± .138	DATE	REV.
22 3/4" ± .1365	136.5 ± .1395	DATE	REV.
23" ± .1380	138.0 ± .141	DATE	REV.
23 1/4" ± .1395	139.5 ± .1425	DATE	REV.
23 1/2" ± .1410	141.0 ± .144	DATE	REV.
23 3/4" ± .1425	142.5 ± .1455	DATE	REV.
24" ± .1440	144.0 ± .147	DATE	REV.
24 1/4" ± .1455	145.5 ± .1485	DATE	REV.
24 1/2" ± .1470	147.0 ± .150	DATE	REV.
24 3/4" ± .1485	148.5 ± .1515	DATE	REV.
25" ± .1500	150.0 ± .153	DATE	REV.
25 1/4" ± .1515	151.5 ± .1545	DATE	REV.
25 1/2" ± .1530	153.0 ± .156	DATE	REV.
25 3/4" ± .1545	154.5 ± .1575	DATE	REV.
26" ± .1560	156.0 ± .159	DATE	REV.
26 1/4" ± .1575	157.5 ± .1605	DATE	REV.
26 1/2" ± .1590	159.0 ± .162	DATE	REV.
26 3/4" ± .1605	160.5 ± .1635	DATE	REV.
27" ± .1620	162.0 ± .165	DATE	REV.
27 1/4" ± .1635	163.5 ± .1665	DATE	REV.
27 1/2" ± .1650	165.0 ± .168	DATE	REV.
27 3/4" ± .1665	166.5 ± .1695	DATE	REV.
28" ± .1680	168.0 ± .171	DATE	REV.
28 1/4" ± .1695	169.5 ± .1725	DATE	REV.
28 1/2" ± .1710	171.0 ± .174	DATE	REV.
28 3/4" ± .1725	172.5 ± .1755	DATE	REV.
29" ± .1740	174.0 ± .177	DATE	REV.
29 1/4" ± .1755	175.5 ± .1785	DATE	REV.
29 1/2" ± .1770	177.0 ± .180	DATE	REV.
29 3/4" ± .1785	178.5 ± .1815	DATE	REV.
30" ± .1800	180.0 ± .183	DATE	REV.
30 1/4" ± .1815	181.5 ± .1845	DATE	REV.
30 1/2" ± .1830	183.0 ± .186	DATE	REV.
30 3/4" ± .1845	184.5 ± .1875	DATE	REV.
31" ± .1860	186.0 ± .189	DATE	REV.
31 1/4" ± .1875	187.5 ± .1905	DATE	REV.
31 1/2" ± .1890	189.0 ± .192	DATE	REV.
31 3/4" ± .1905	190.5 ± .1935	DATE	REV.
32" ± .1920	192.0 ± .195	DATE	REV.
32 1/4" ± .1935	193.5 ± .1965	DATE	REV.
32 1/2" ± .1950	195.0 ± .198	DATE	REV.
32 3/4" ± .1965	196.5 ± .1995	DATE	REV.
33" ± .1980	198.0 ± .201	DATE	REV.
33 1/4" ± .1995	199.5 ± .2025	DATE	REV.
33 1/2" ± .2010	201.0 ± .204	DATE	REV.
33 3/4" ± .2025	202.5 ± .2055	DATE	REV.
34" ± .2040	204.0 ± .207	DATE	REV.
34 1/4" ± .2055	205.5 ± .2085	DATE	REV.
34 1/2" ± .2070	207.0 ± .210	DATE	REV.
34 3/4" ± .2085	208.5 ± .2115	DATE	REV.
35" ± .2100	210.0 ± .213	DATE	REV.
35 1/4" ± .2115	211.5 ± .2145	DATE	REV.
35 1/2" ± .2130	213.0 ± .216	DATE	REV.
35 3/4" ± .2145	214.5 ± .2175	DATE	REV.
36" ± .2160	216.0 ± .219	DATE	REV.
36 1/4" ± .2175	217.5 ± .2205	DATE	REV.
36 1/2" ± .2190	219.0 ± .222	DATE	REV.
36 3/4" ± .2205	220.5 ± .2235	DATE	REV.
37" ± .2220	222.0 ± .225	DATE	REV.
37 1/4" ± .2235	223.5 ± .2265	DATE	REV.
37 1/2" ± .2250	225.0 ± .228	DATE	REV.
37 3/4" ± .2265	226.5 ± .2295	DATE	REV.
38" ± .2280	228.0 ± .231	DATE	REV.
38 1/4" ± .2295	229.5 ± .2325	DATE	REV.
38 1/2" ± .2310	231.0 ± .234	DATE	REV.
38 3/4" ± .2325	232.5 ± .2355	DATE	REV.
39" ± .2340	234.0 ± .237	DATE	REV.
39 1/4" ± .2355	235.5 ± .2385	DATE	REV.
39 1/2" ± .2370	237.0 ± .240	DATE	REV.
39 3/4" ± .2385	238.5 ± .2415	DATE	REV.
40" ± .2400	240.0 ± .243	DATE	REV.
40 1/4" ± .2415	241.5 ± .2445	DATE	REV.
40 1/2" ± .2430	243.0 ± .246	DATE	REV.
40 3/4" ± .2445	244.5 ± .2475	DATE	REV.
41" ± .2460	246.0 ± .249	DATE	REV.
41 1/4" ± .2475	247.5 ± .2505	DATE	REV.
41 1/2" ± .2490	249.0 ± .252	DATE	REV.
41 3/4" ± .2505	250.5 ± .2535	DATE	REV.
42" ± .2520	252.0 ± .255	DATE	REV.
42 1/4" ± .2535	253.5 ± .2565	DATE	REV.
42 1/2" ± .2550	255.0 ± .258	DATE	REV.
42 3/4" ± .2565	256.5 ± .2595	DATE	REV.
43" ± .2580	258.0 ± .261	DATE	REV.
43 1/4" ± .2595	259.5 ± .2625	DATE	REV.
43 1/2" ± .2610	261.0 ± .264	DATE	REV.
43 3/4" ± .2625	262.5 ± .2655	DATE	REV.
44" ± .2640	264.0 ± .267	DATE	REV.
44 1/4" ± .2655	265.5 ± .2685	DATE	REV.
44 1/2" ± .2670	267.0 ± .270	DATE	REV.
44 3/4" ± .2685	268.5 ± .2715	DATE	REV.
45" ± .2700	270.0 ± .273	DATE	REV.
45 1/4" ± .2715	271.5 ± .2745	DATE	REV.
45 1/2" ± .2730	273.0 ± .276	DATE	REV.
45 3/4" ± .2745	274.5 ± .2775	DATE	REV.
46" ± .2760	276.0 ± .279	DATE	REV.
46 1/4" ± .2775	277.5 ± .2805	DATE	REV.
46 1/2" ± .2790	279.0 ± .282	DATE	REV.
46 3/4" ± .2805	280.5 ± .2835	DATE	REV.
47" ± .2820	282.0 ± .285	DATE	REV.
47 1/4" ± .2835	283.5 ± .2865	DATE	REV.
47 1/2" ± .2850	285.0 ± .288	DATE	REV.
47 3/4" ± .2865	286.5 ± .2895	DATE	REV.
48" ± .2880	288.0 ± .291	DATE	REV.
48 1/4" ± .2895	289.5 ± .2925	DATE	REV.
48 1/2" ± .2910	291.0 ± .294	DATE	REV.
48 3/4" ± .2925	292.5 ± .2955	DATE	REV.
49" ± .2940	294.0 ± .297	DATE	REV.
49 1/4" ± .2955	295.5 ± .2985	DATE	REV.
49 1/2" ± .2970	297.0 ± .300	DATE	REV.
49 3			