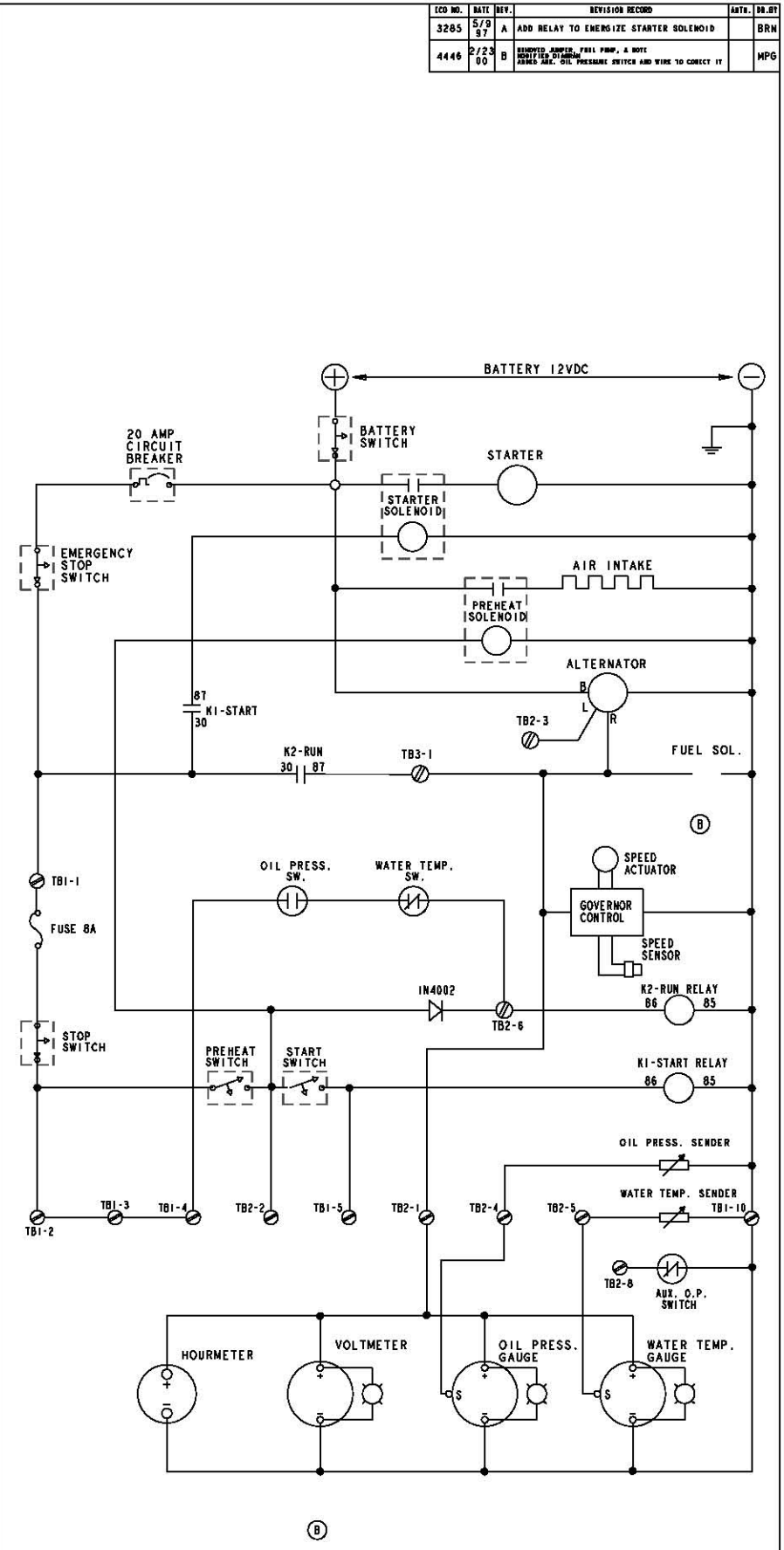
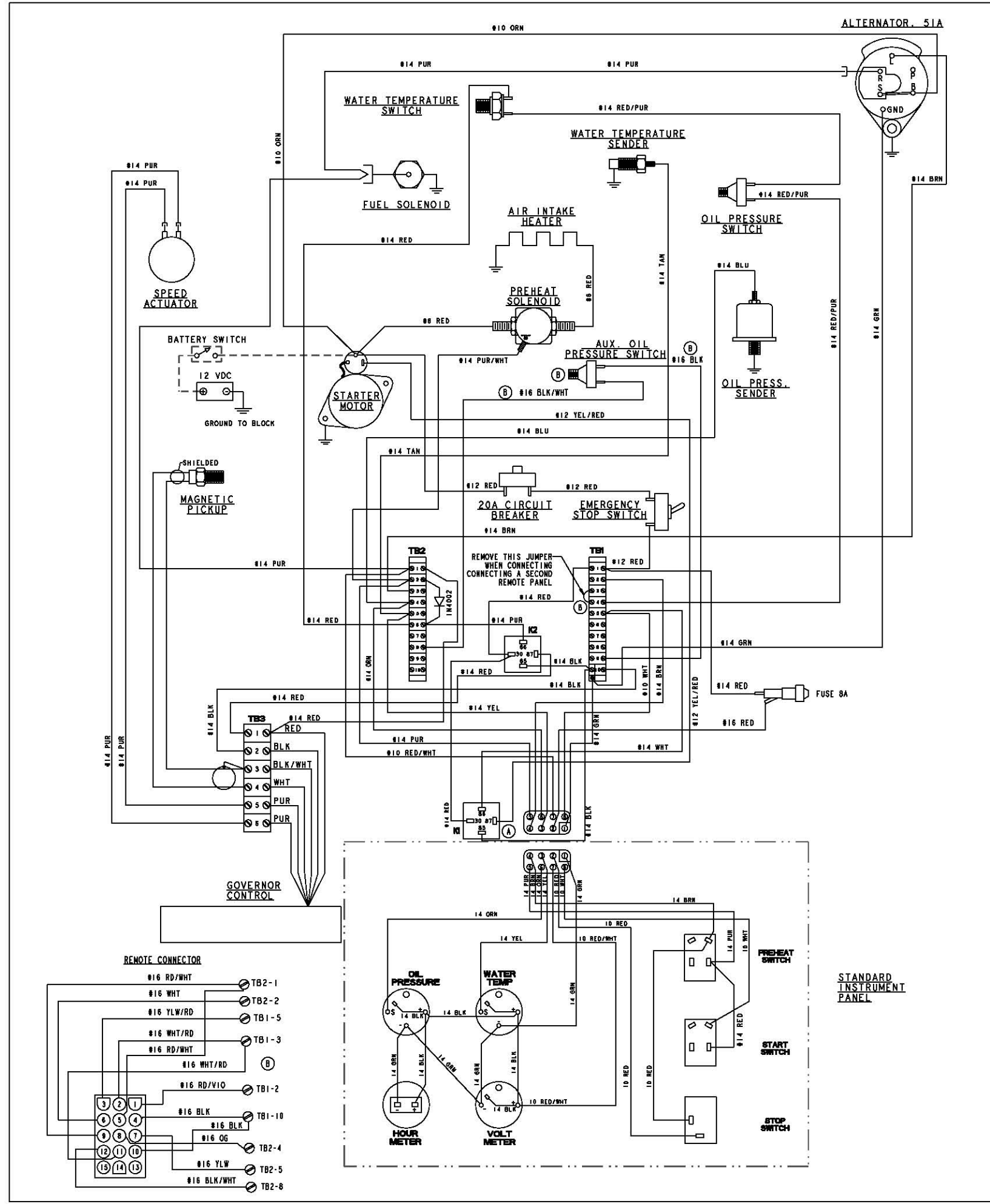


ECO NO.	DATE	REV.	REVISION RECORD	INTX.	DR. BY
3285	5/9	97	A		BRM
4446	2/23	80	B		MPG



TOLERANCES		WESTERBEKE CORPORATION AYON, MA., 02322	
INCHES	MILLIMETERS	WIRING DIAGRAM, 32.0 KW. BEDAR WITH ELECTRONIC GOVERNING	
±.0005	±.0125	DATE	REV.
±.0010	±.0250	APPROVED BY	DATE
±.0015	±.0375	DESIGNED BY	DATE
±.0020	±.0500	CHECKED BY	DATE
±.0030	±.0750	SCALE	NONE
±.0040	±.1000	INCHES	E
±.0050	±.1250	MILLIMETERS	41171
±.0060	±.1500	REV.	B
±.0070	±.1750	DATE	1 of 1