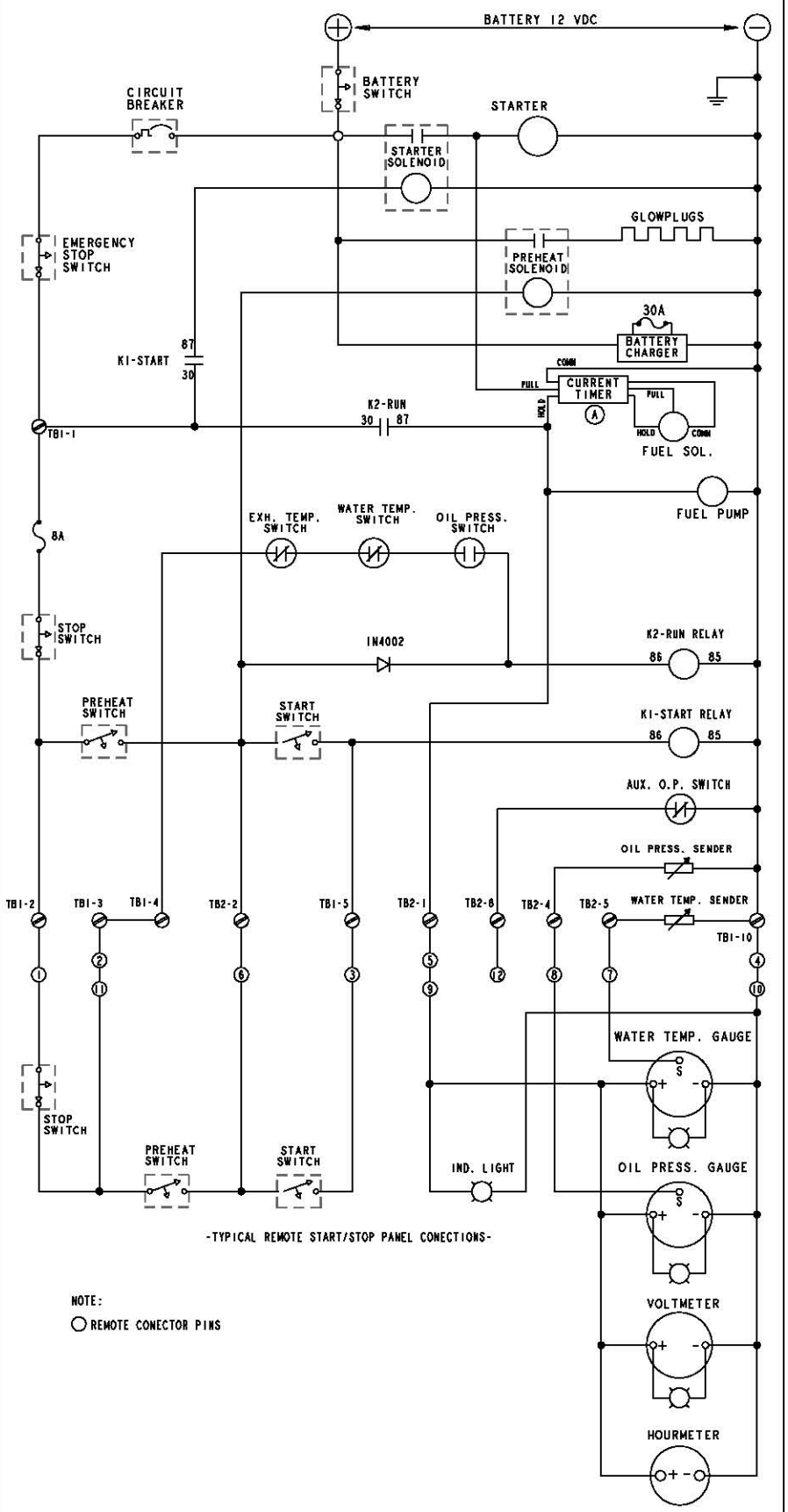
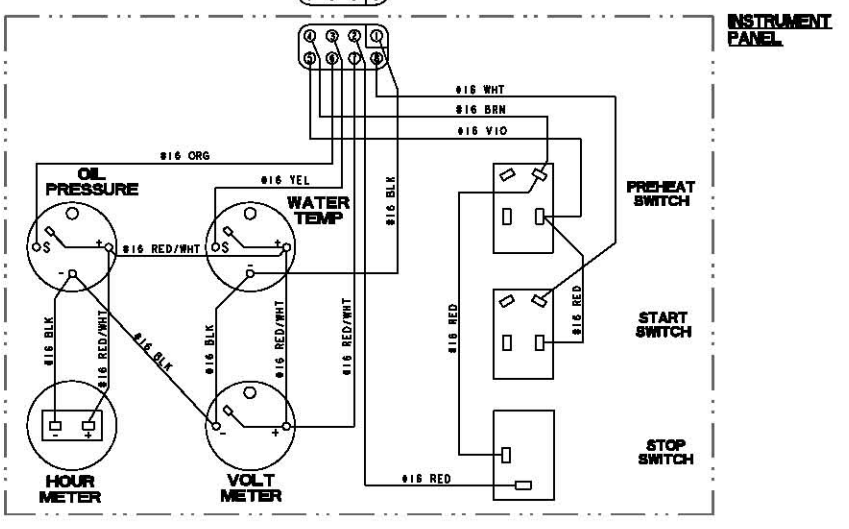
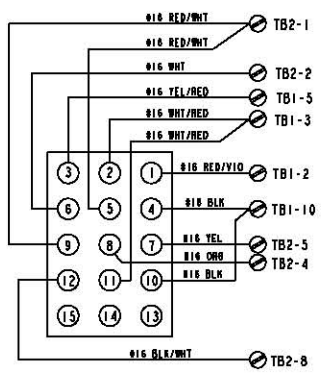


NOTE:  
1. REMOVE JUMPER WHEN CONNECTING A SECOND REMOTE PANEL.



NOTE:  
○ REMOTE CONNECTOR PINS

ECO NO.	DATE	REV.	REVISION RECORD	AUTH.	DR.	ST.	5082 12/24 A	ADDED CURRENT TIMER	TSM

TOLERANCES		WESTERBEKE CORPORATION	
UNLESS OTHERWISE SPECIFIED		AVON MA. 02322	
INCHES	MILLIMETERS	WIRING DIAGRAM/SCHEMATIC,	
±.0005	±.0127	5.0 BCDB - SRC	
±.0010	±.0254	DESIGNED BY	DATE
±.0015	±.0381	ISSUED BY	DATE
±.0020	±.0508	SCALE	NONE
±.0025	±.0635	SIZE	4 1/2" X 6 1/2"
±.0030	±.0762	REV.	44732
±.0035	±.0891	REV.	A