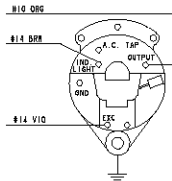
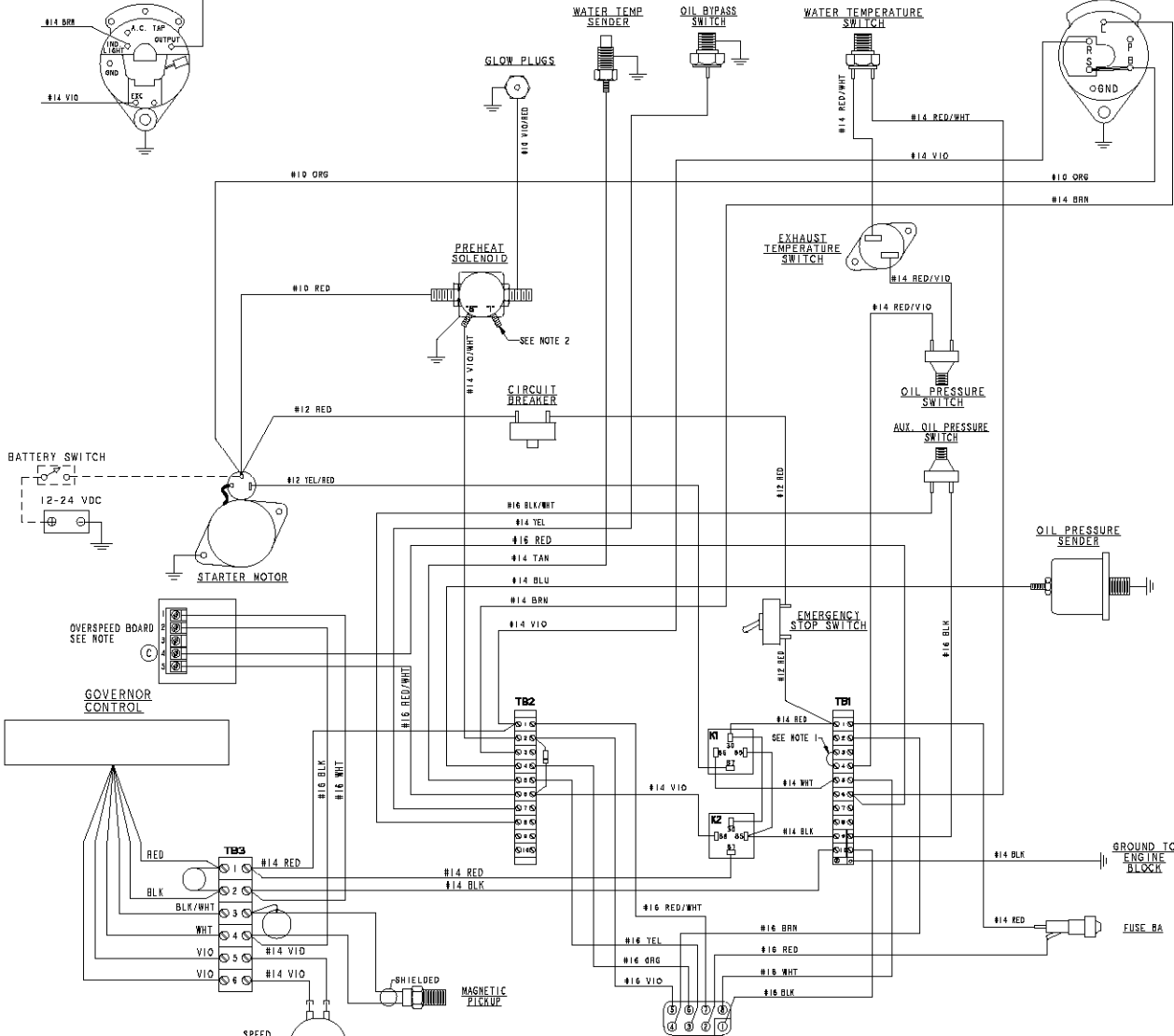
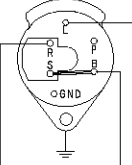


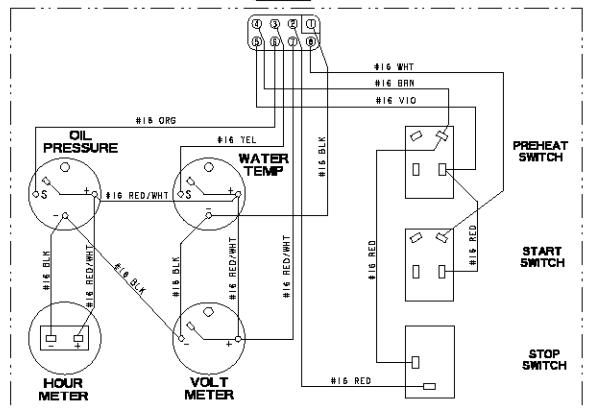
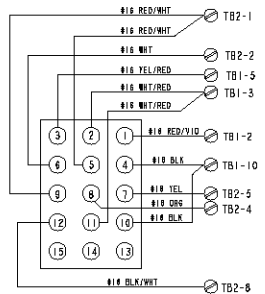
ALTERNATOR, 24VDC 42A



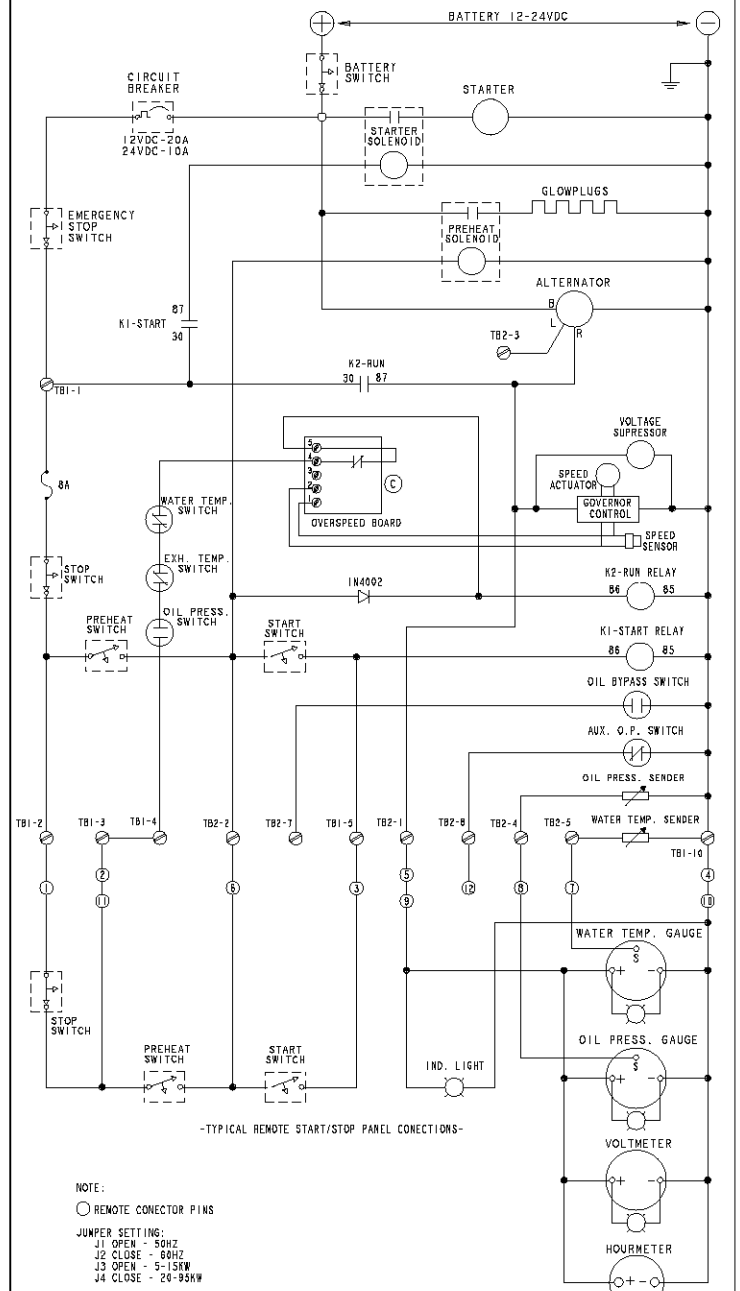
ALTERNATOR, 12V 51A



NOTE:  
 1. REMOVE JUMPER WHEN CONNECTING A SECOND REMOTE PANEL.  
 2. GROUND "1" TERMINAL OF PREHEAT SOLENOID ON 24V SYSTEM ONLY.



LOG NO.	DATE	REV.	REVISION RECORD	AUTH.	DR. BY
4470	5/4 2000	A	ADD VOLTAGE SUPPRESSOR BETWEEN TB3-1, TB3-2	JCA	
4623	2/23 2001	B	NORMAL CONDITION OF SWITCHER CONNECTED IN WIRING SCHEMATIC.	JCA	
5767	8/22 2004	C	ADD OVERSPEED BOARD		GA



NOTE:  
 ○ REMOTE CONNECTOR PINS  
 JUMPER SETTING:  
 J1 OPEN - 50HZ  
 J2 CLOSE - 60HZ  
 J3 OPEN - 5-15KW  
 J4 CLOSE - 20-95KW

TOLERANCES		WESTERBEKE CORPORATION	
UNLESS OTHERWISE NOTED		AVON, MA. 02322	
FINISHED	MILLIMETERS	WIRING DIAGRAM/SCHEMATIC	
±.01	±.0005	MARINE GENERATOR	
±.02	±.0010	FORM OF	DATE
±.05	±.0020	REVISION	NO.
±.10	±.0050	APPROVED BY	DATE
±.15	±.0075	DATE	NO.
±.20	±.0100	SIZE	PRINTING RANGE
±.25	±.0125	SCALE	
±.30	±.0150	FILE	
±.35	±.0175	NO.	
±.40	±.0200	REV.	
±.45	±.0225	APP. 1 of 1	
±.50	±.0250		
±.55	±.0275		
±.60	±.0300		
±.65	±.0325		
±.70	±.0350		
±.75	±.0375		
±.80	±.0400		
±.85	±.0425		
±.90	±.0450		
±.95	±.0475		
±.00	±.0500		
±.01	±.0525		
±.02	±.0550		
±.03	±.0575		
±.04	±.0600		
±.05	±.0625		
±.06	±.0650		
±.07	±.0675		
±.08	±.0700		
±.09	±.0725		
±.10	±.0750		
±.11	±.0775		
±.12	±.0800		
±.13	±.0825		
±.14	±.0850		
±.15	±.0875		
±.16	±.0900		
±.17	±.0925		
±.18	±.0950		
±.19	±.0975		
±.20	±.1000		
±.21	±.1025		
±.22	±.1050		
±.23	±.1075		
±.24	±.1100		
±.25	±.1125		
±.26	±.1150		
±.27	±.1175		
±.28	±.1200		
±.29	±.1225		
±.30	±.1250		
±.31	±.1275		
±.32	±.1300		
±.33	±.1325		
±.34	±.1350		
±.35	±.1375		
±.36	±.1400		
±.37	±.1425		
±.38	±.1450		
±.39	±.1475		
±.40	±.1500		
±.41	±.1525		
±.42	±.1550		
±.43	±.1575		
±.44	±.1600		
±.45	±.1625		
±.46	±.1650		
±.47	±.1675		
±.48	±.1700		
±.49	±.1725		
±.50	±.1750		
±.51	±.1775		
±.52	±.1800		
±.53	±.1825		
±.54	±.1850		
±.55	±.1875		
±.56	±.1900		
±.57	±.1925		
±.58	±.1950		
±.59	±.1975		
±.60	±.2000		
±.61	±.2025		
±.62	±.2050		
±.63	±.2075		
±.64	±.2100		
±.65	±.2125		
±.66	±.2150		
±.67	±.2175		
±.68	±.2200		
±.69	±.2225		
±.70	±.2250		
±.71	±.2275		
±.72	±.2300		
±.73	±.2325		
±.74	±.2350		
±.75	±.2375		
±.76	±.2400		
±.77	±.2425		
±.78	±.2450		
±.79	±.2475		
±.80	±.2500		
±.81	±.2525		
±.82	±.2550		
±.83	±.2575		
±.84	±.2600		
±.85	±.2625		
±.86	±.2650		
±.87	±.2675		
±.88	±.2700		
±.89	±.2725		
±.90	±.2750		
±.91	±.2775		
±.92	±.2800		
±.93	±.2825		
±.94	±.2850		
±.95	±.2875		
±.96	±.2900		
±.97	±.2925		
±.98	±.2950		
±.99	±.2975		
±.00	±.3000		