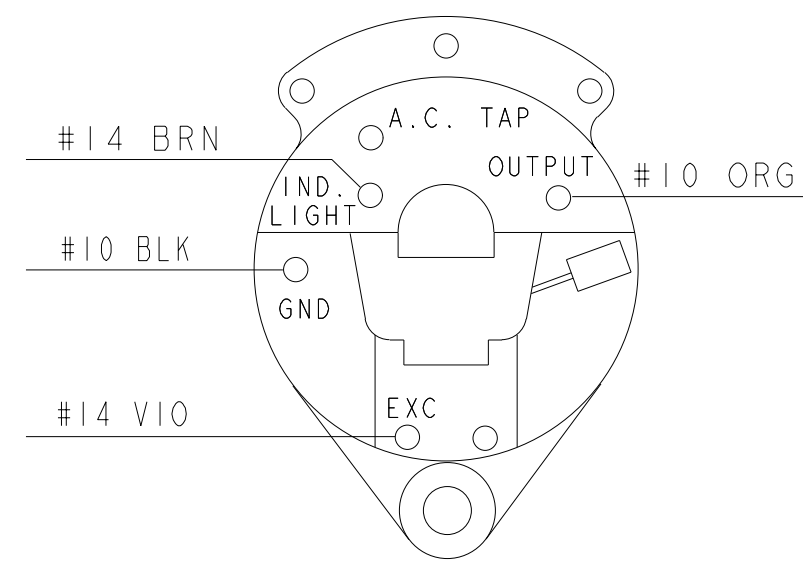
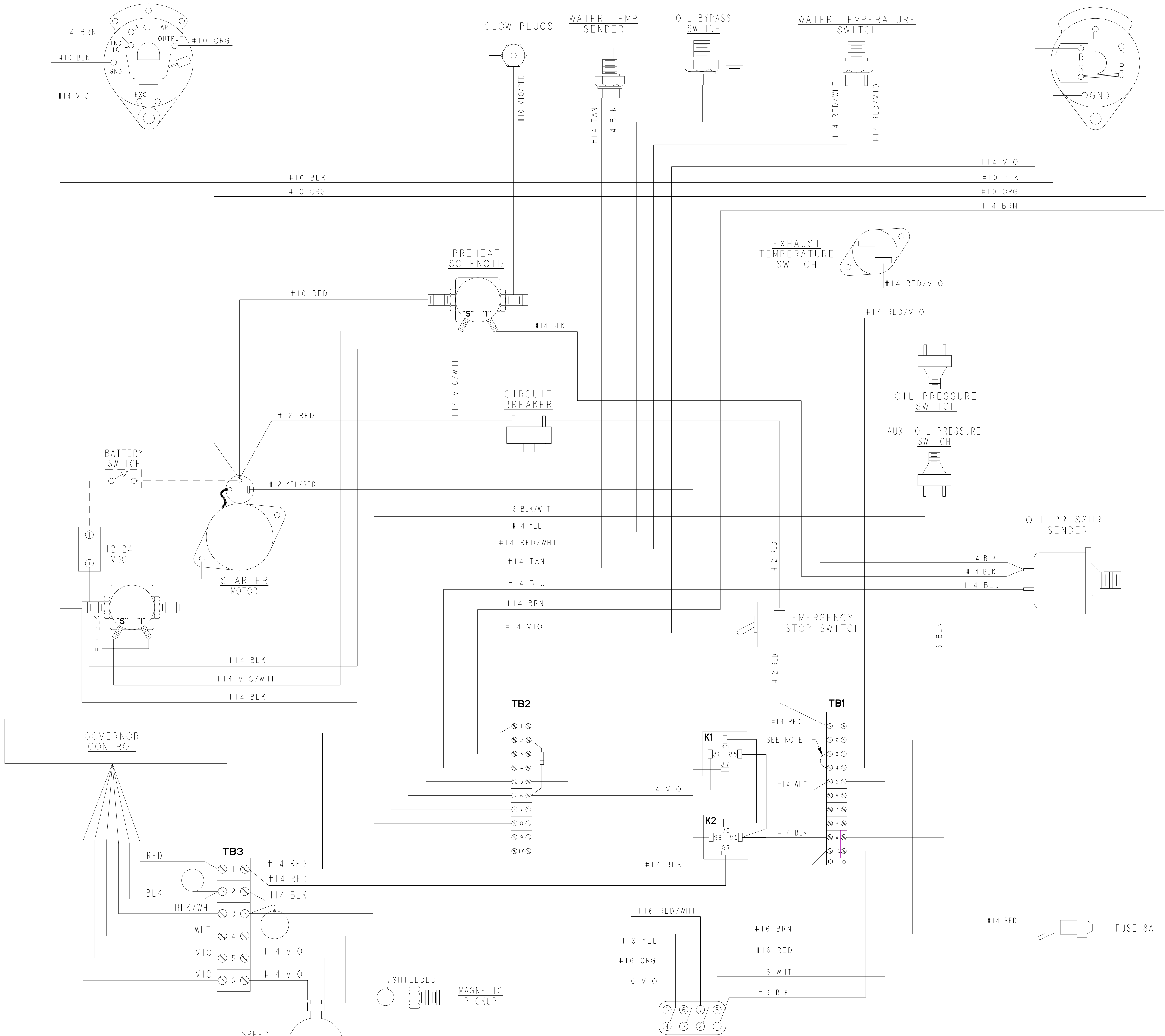
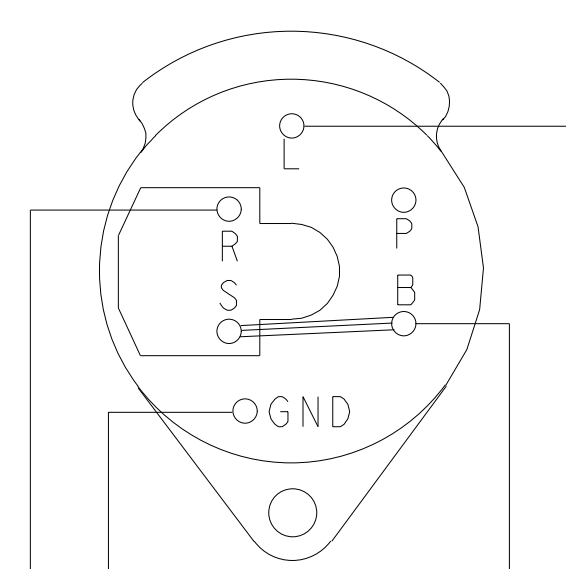


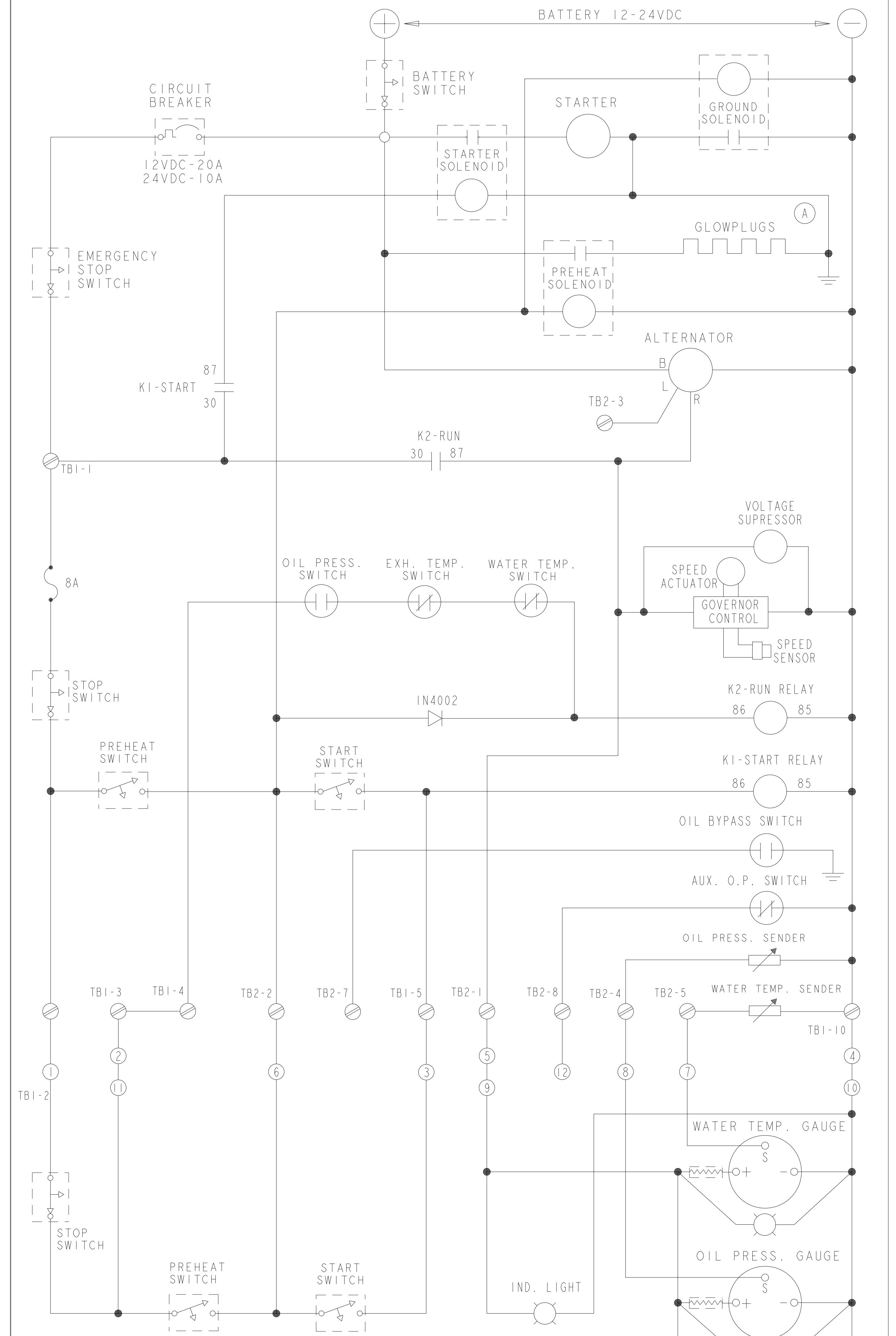
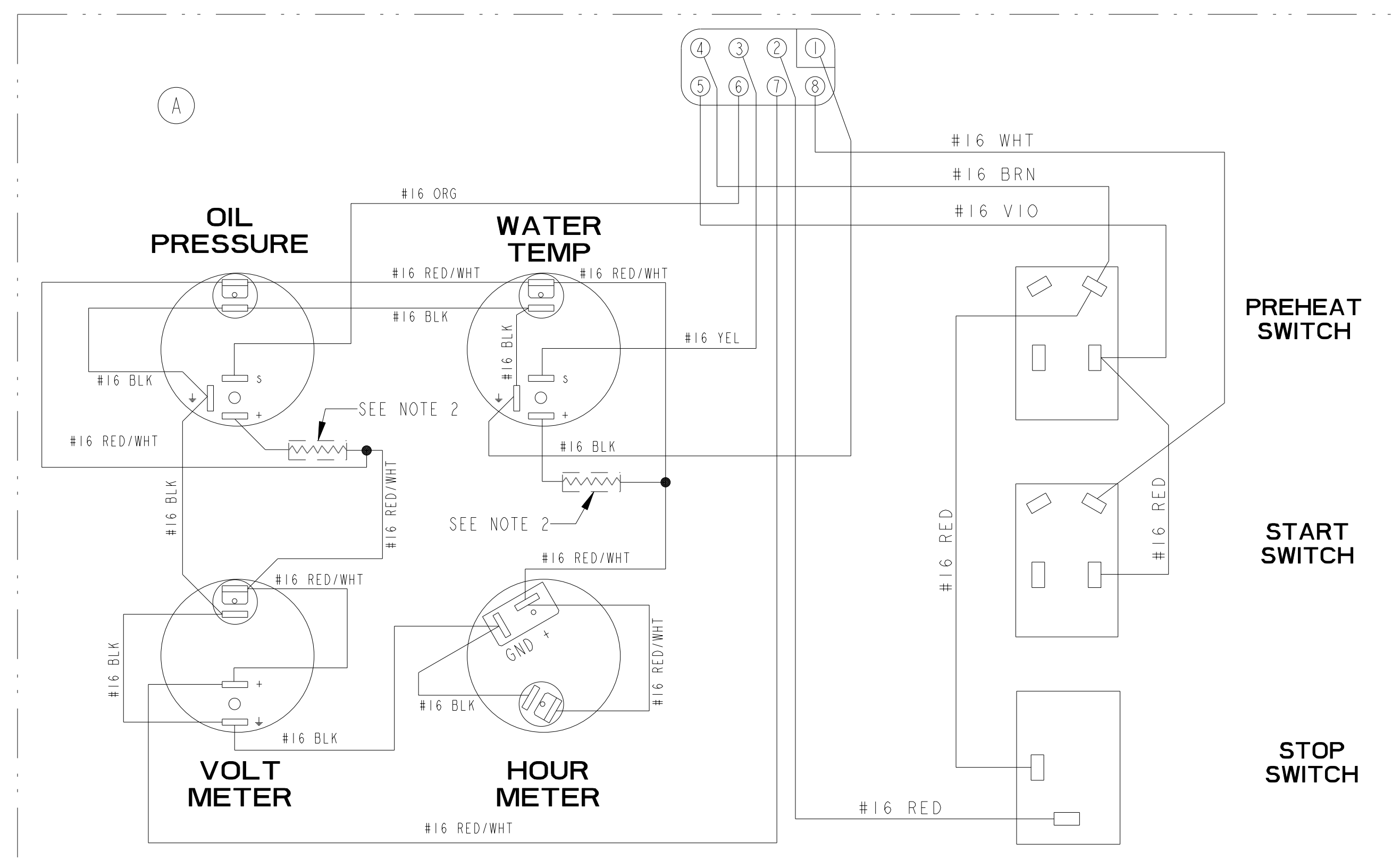
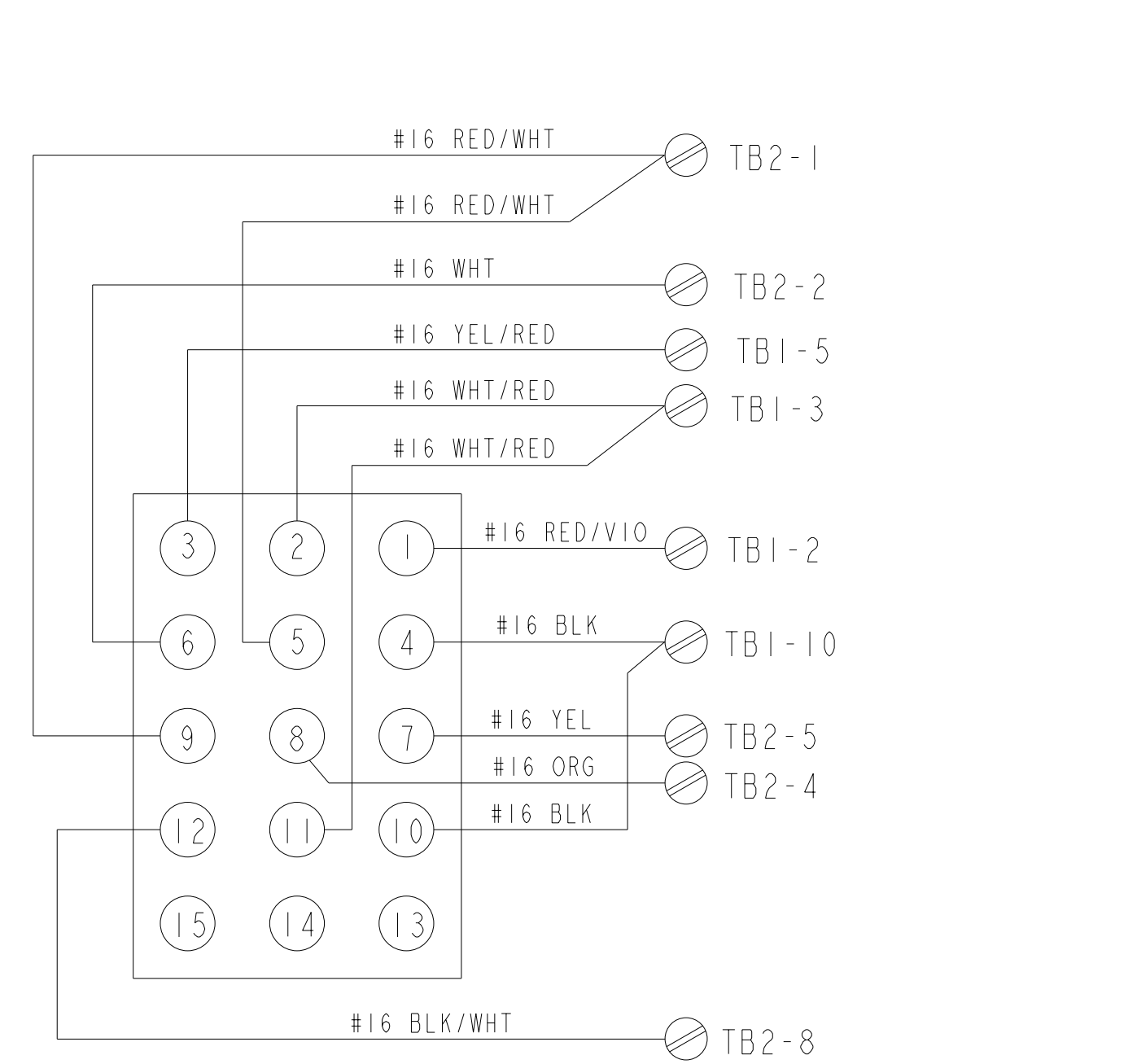
ALTERNATOR, 24V 42A



ALTERNATOR, 12V 51A



NOTE:
1. REMOVE JUMPER WHEN CONNECTING A SECOND REMOTE PANEL.



- TYPICAL REMOTE START/STOP PANEL CONNECTIONS -

NOTE:
 1. REMOTE CONNECTOR PINS
 2. FOR 24 VOLT SYSTEM, USE 150Ω RESISTOR AS SHOWN.

TOLERANCES (UNLESS OTHERWISE NOTED)		WESTERBEKE CORPORATION AVON, MA. 02322	
INCHES XX : .02 XXX : .005 CAST : .03 FINISH : ZP	MILLIMETERS X : XX : XXX :	TITLE WIRING DIAGRAM/SCHEMATIC MARINE GENERATOR - UNGROUNDED	
DIMENSIONS < INCHES > < MILLIMETERS > (WHEN APPLICABLE)		APPROVED BY DATE	DATE MATERIAL: DRAWN BY DATE
SCALE SHT. 1 of 1		SIZE E	DRAWING NUMBER 45673