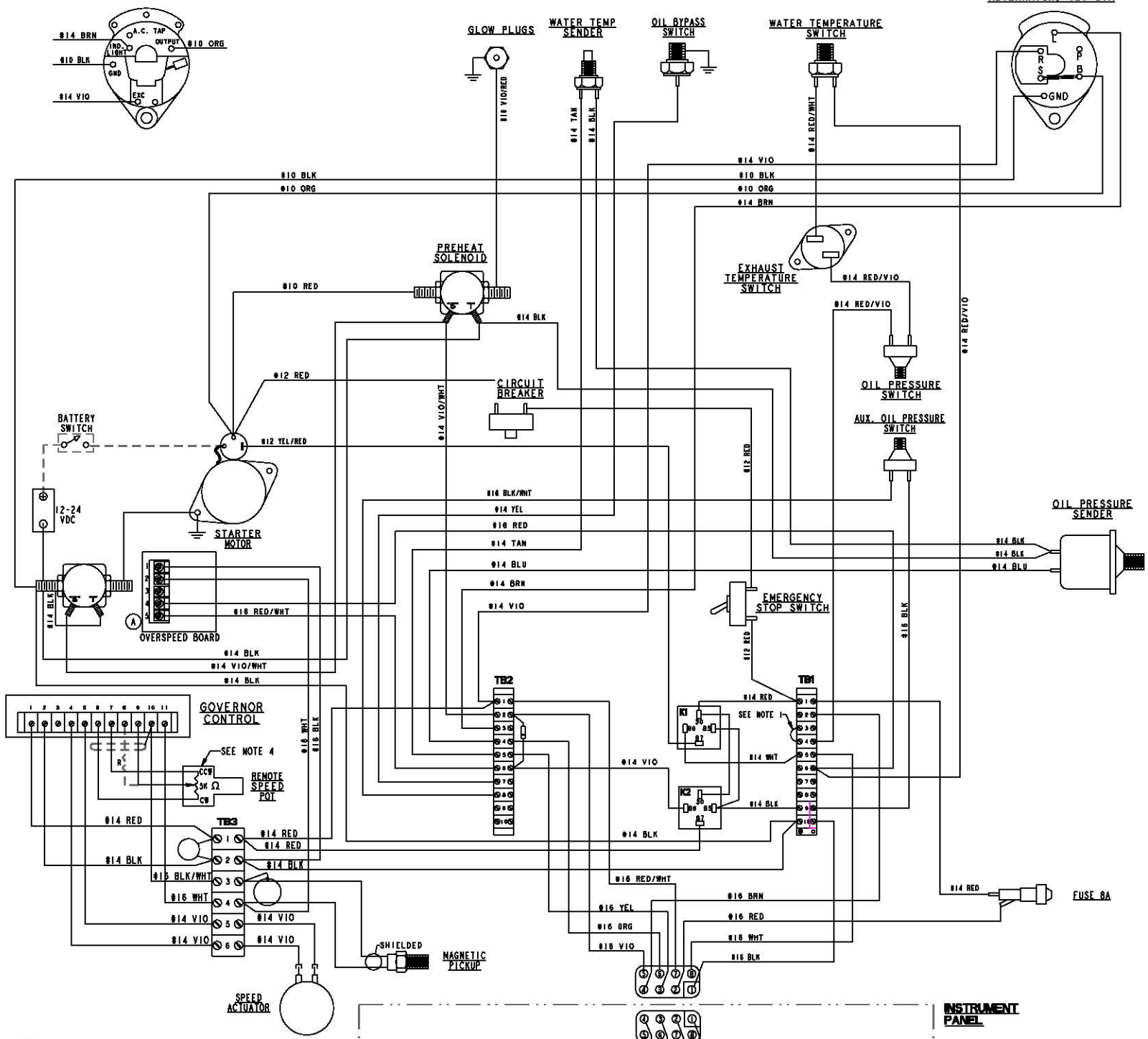
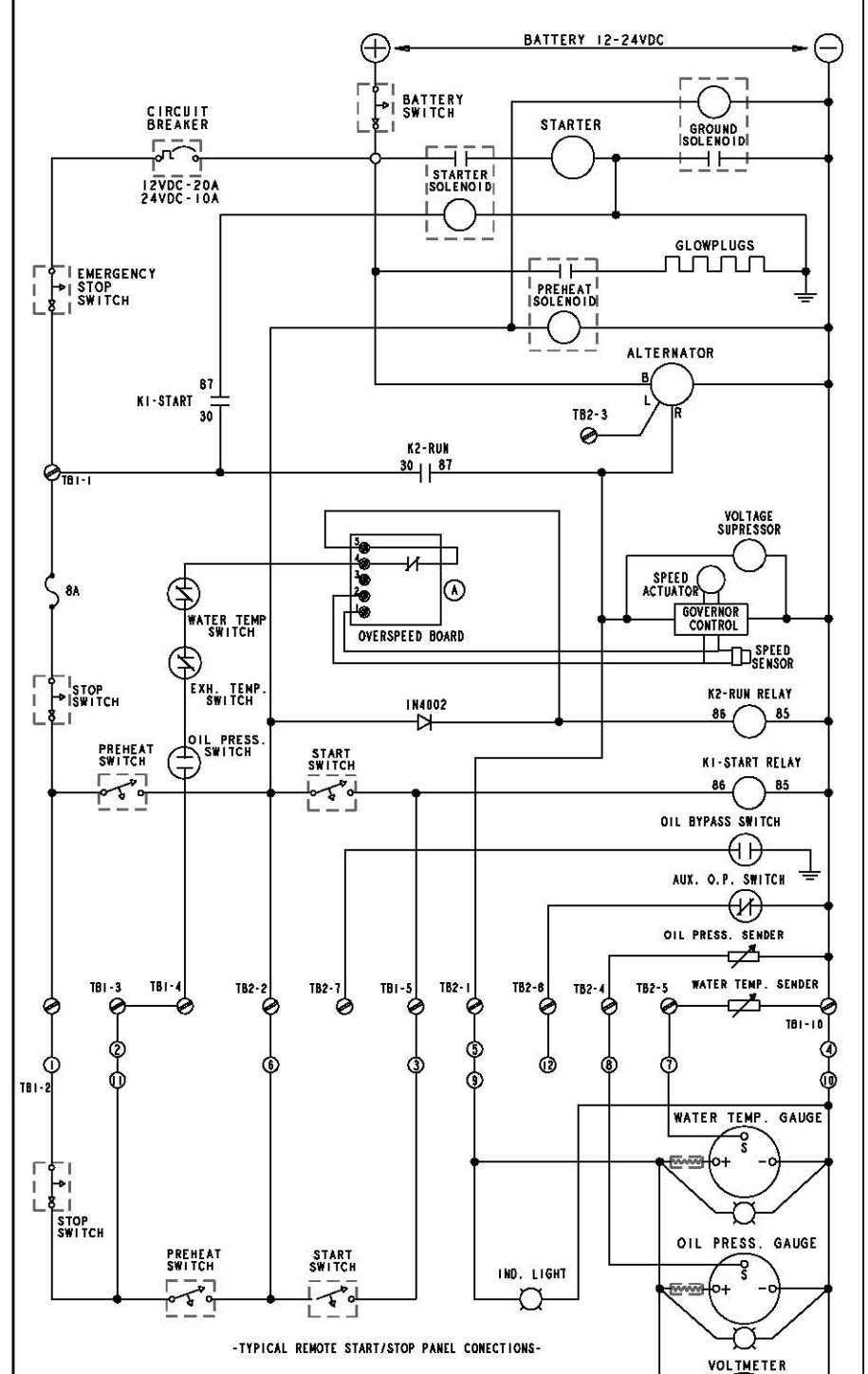
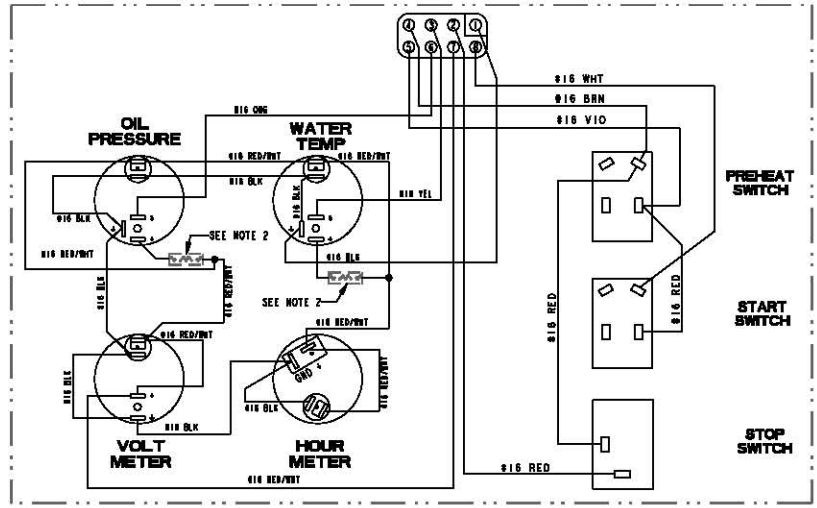
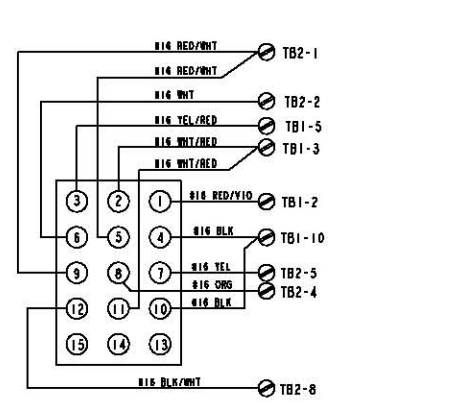


ALTERNATOR, 24V 42A

ALTERNATOR, 12V 51A



NOTE:
1. REMOVE JUMPER WHEN CONNECTING A SECOND REMOTE PANEL.



NOTE:
1. REMOTE CONNECTOR PINS
2. FOR 24 VOLT SYSTEM, USE 150Ω RESISTOR AS SHOWN.

TOLERANCES UNLESS OTHERWISE SPECIFIED	WESTERBEKE CORPORATION AVON, MA. 02322	
INCHES FRACTIONS DECIMALS MILLIMETERS	TITLE WIRING DIAGRAM/SCHEMATIC MARINE GENERATOR - UNGND / PARALLEL	
DRAWN BY CHECKED BY DATE	DESIGNED BY DATE	REV. NO. DATE
SCALE INCHES MILLIMETERS	NO. OF SHEETS E 48910	SHEET NO. A