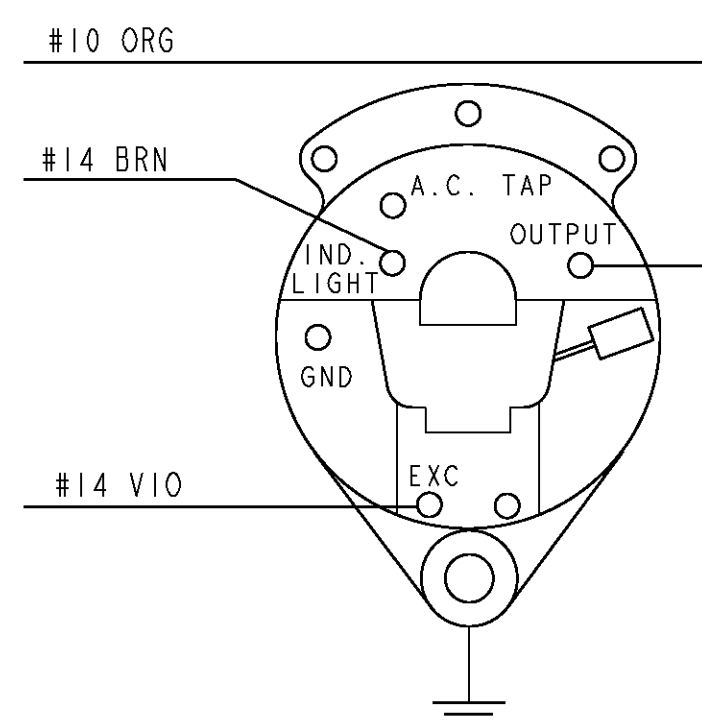
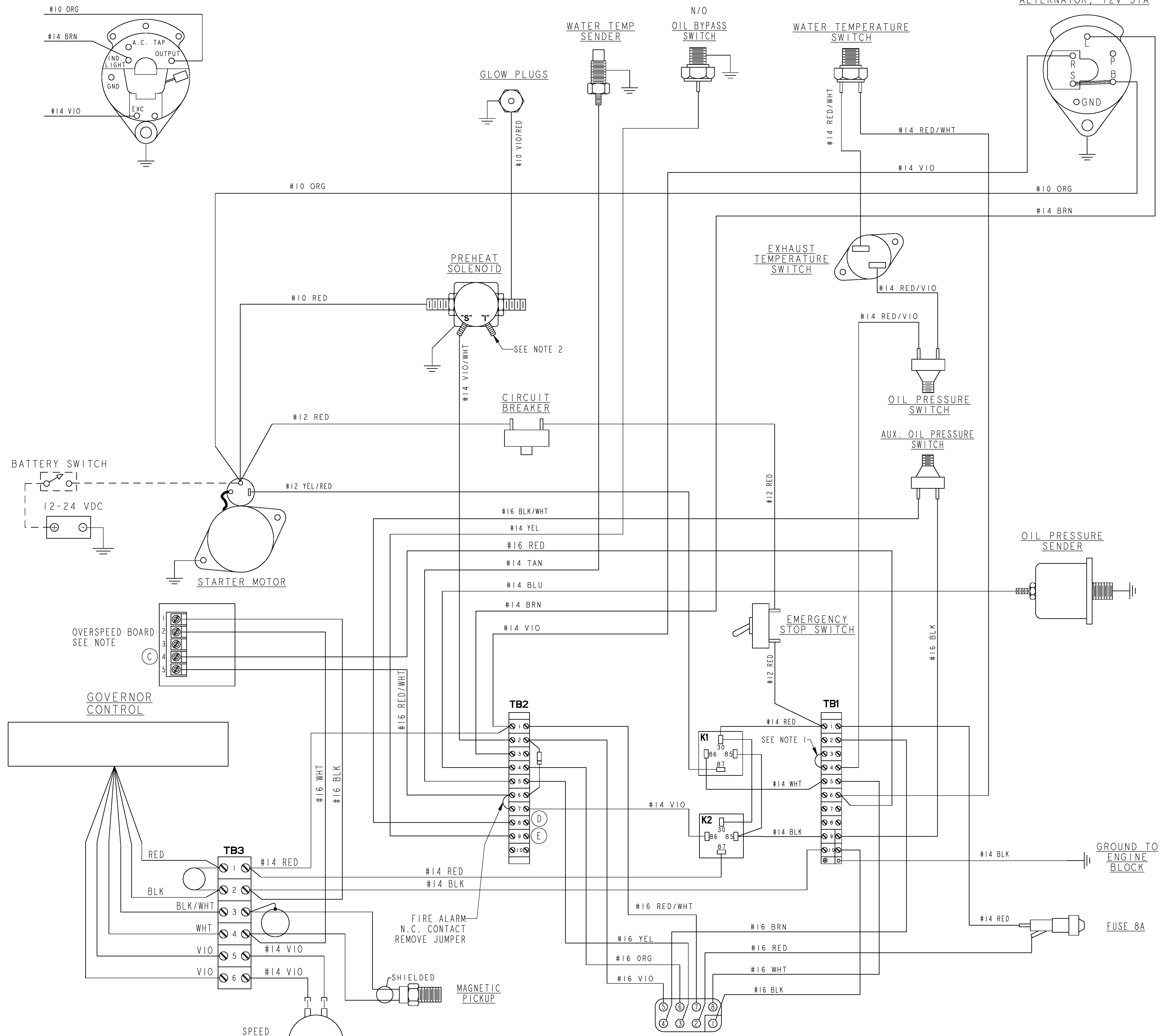
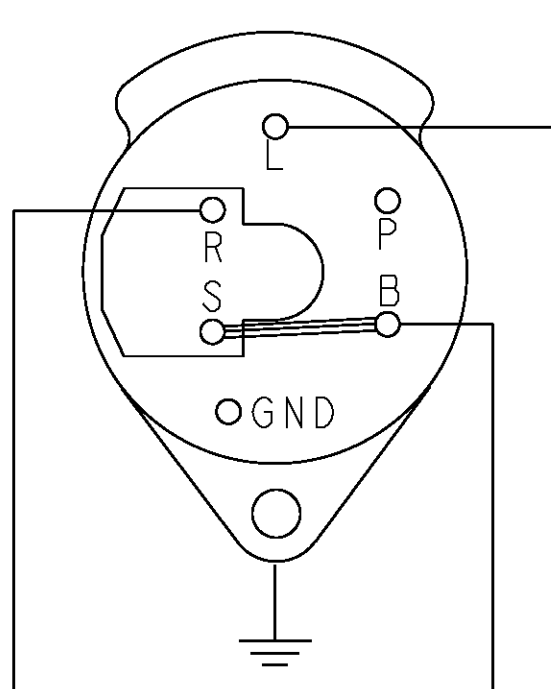


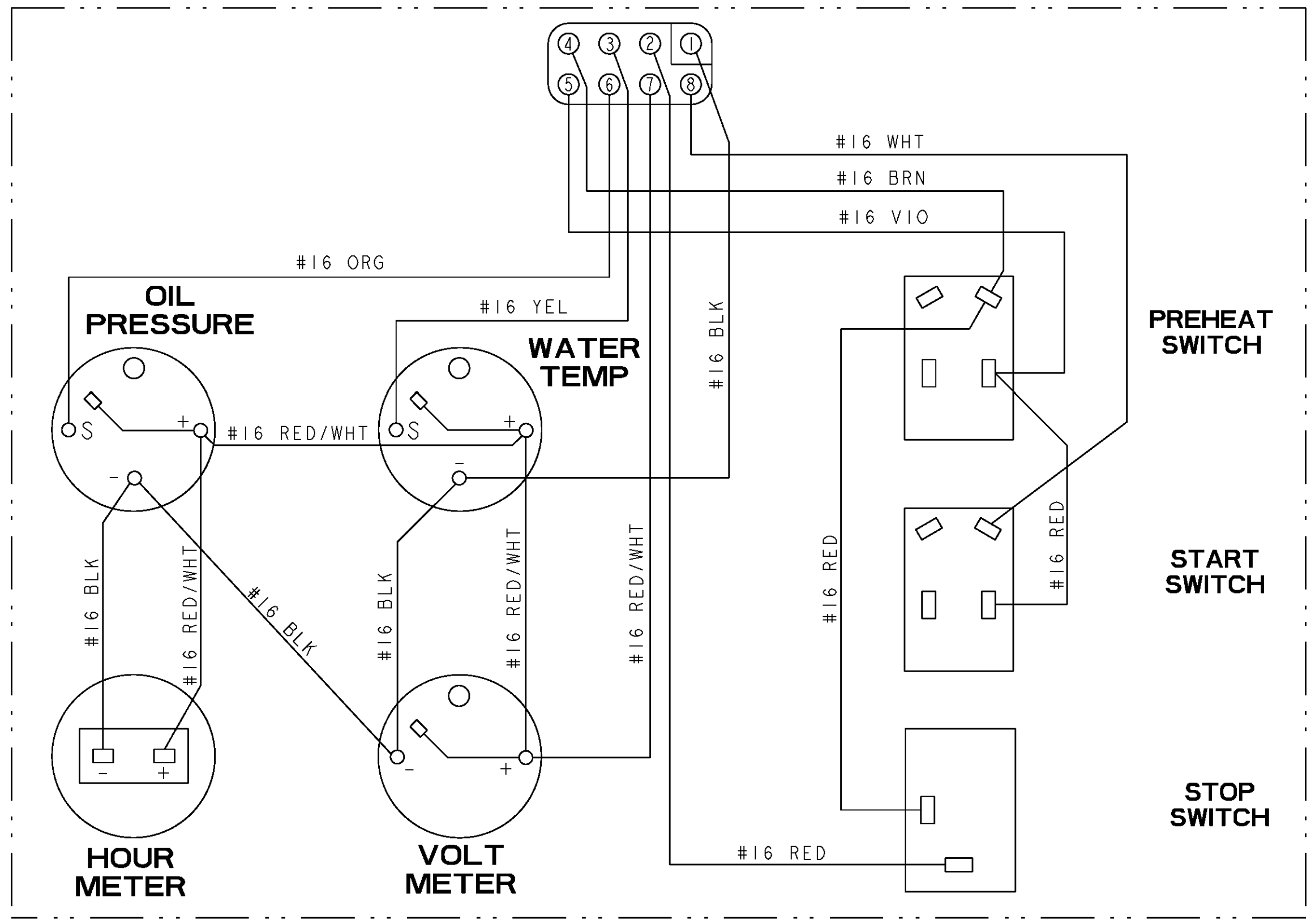
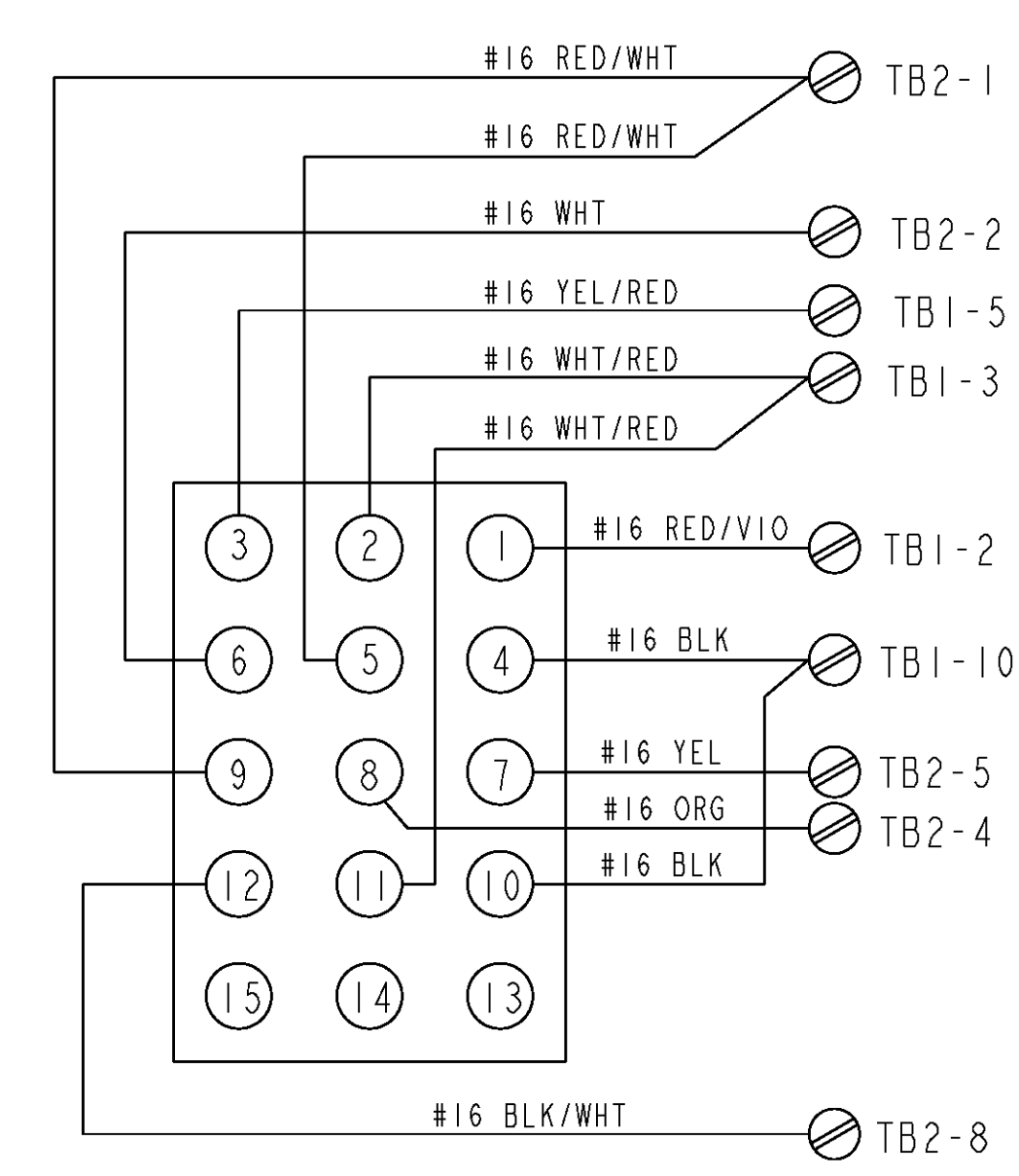
ALTERNATOR, 24VDC 42A



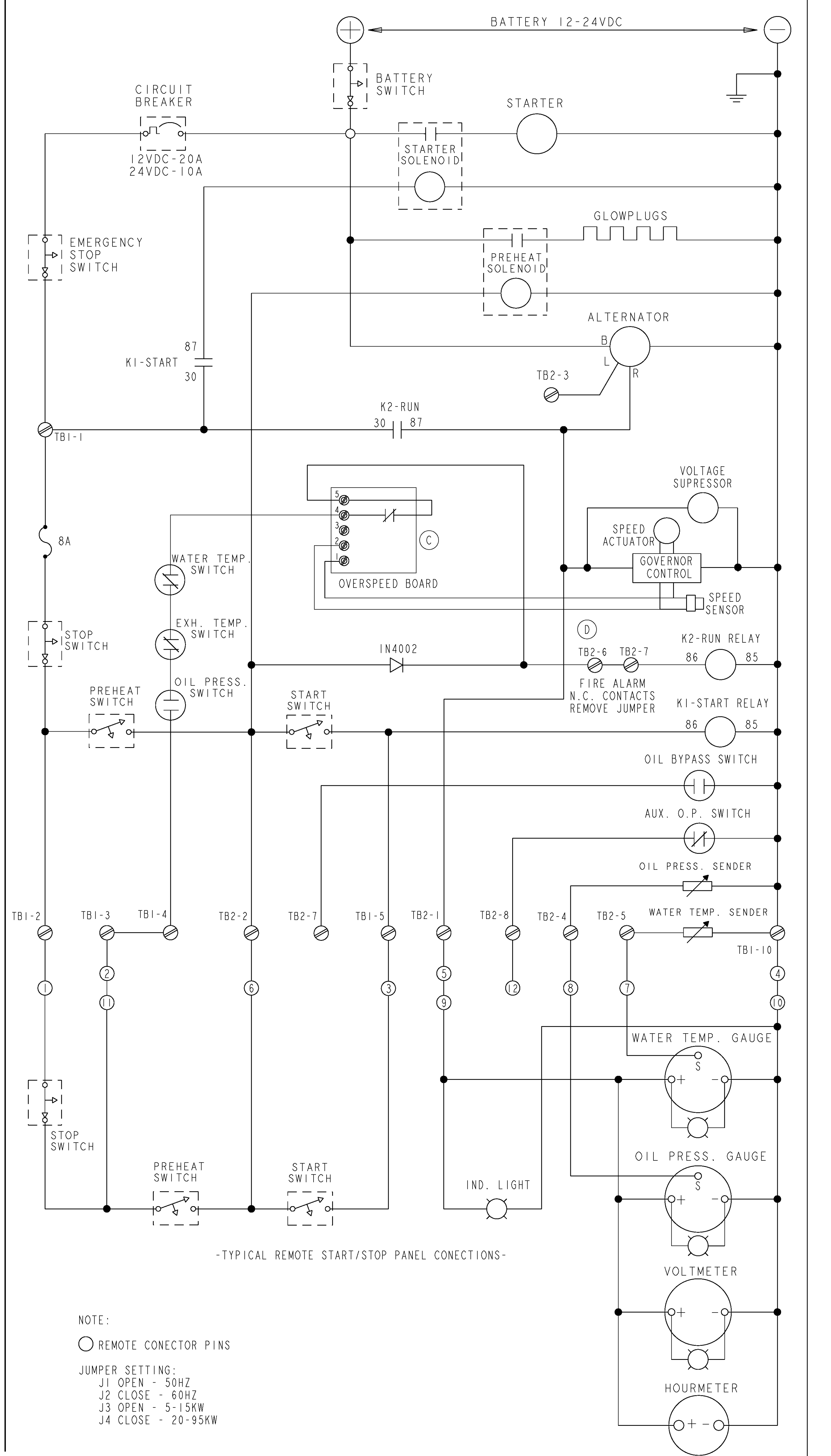
ALTERNATOR, 12V 51A



NOTE:  
 1. REMOVE JUMPER WHEN CONNECTING A SECOND REMOTE PANEL.  
 2. GROUND "1" TERMINAL OF PREHEAT SOLENOID ON 24V SYSTEM ONLY.



ECO NO.	DATE	REV.	REVISION RECORD	AUTH.	DR. BY
4670	8/4 2000	A	ADD VOLTAGE SUPPRESSOR BETWEEN TB3-1, TB3-2	JCA	
4823	2/23 2001	B	NORMAL CONDITION OF SWITCHES CORRECTED IN WIRING SCHEMATIC.	JCA	
5767	6/22 2004	C	ADD OVERSPEED BOARD	GA	
5861	11-3 2004	D	ADDED JUMPER BETWEEN TB2-6&7; K2-86 WAS CONNECTED TO TB2-6.	GA	
6179	3/20 2006	E	RELOCATED #14 YEL TB2-7 TO TB2-9	RPS	
6595	1-26 2008	F	UPDATE TITLE BOX WITH 45-95 BEDA MODEL.	GA	



NOTE:  
 ○ REMOTE CONNECTOR PINS  
 JUMPER SETTING:  
 J1 OPEN - 50HZ  
 J2 CLOSE - 60HZ  
 J3 OPEN - 5-15KW  
 J4 CLOSE - 20-95KW

TOLERANCES (UNLESS OTHERWISE NOTED)		WESTERBEKE CORPORATION AVON MA. 02322	
INCHES	WILLIMETERS	TITLE	
.XX	.02	WIRING DIAGRAM/SCHEMATIC	
.XXX	.005	45.0-95.0 BED/A GENERATOR	
CASST	.03	DRAWN BY	DATE
FINISH	.04	ANDREW KOSS	19/Apr/00
DIMENSIONS		APPROVED BY	DATE
INCHES			
WILLIMETERS		SCALE	SIZE
(WHEN APPLICABLE)		1 of 1	DRAWING NUMBER
			<b>44780</b>
			REV. F