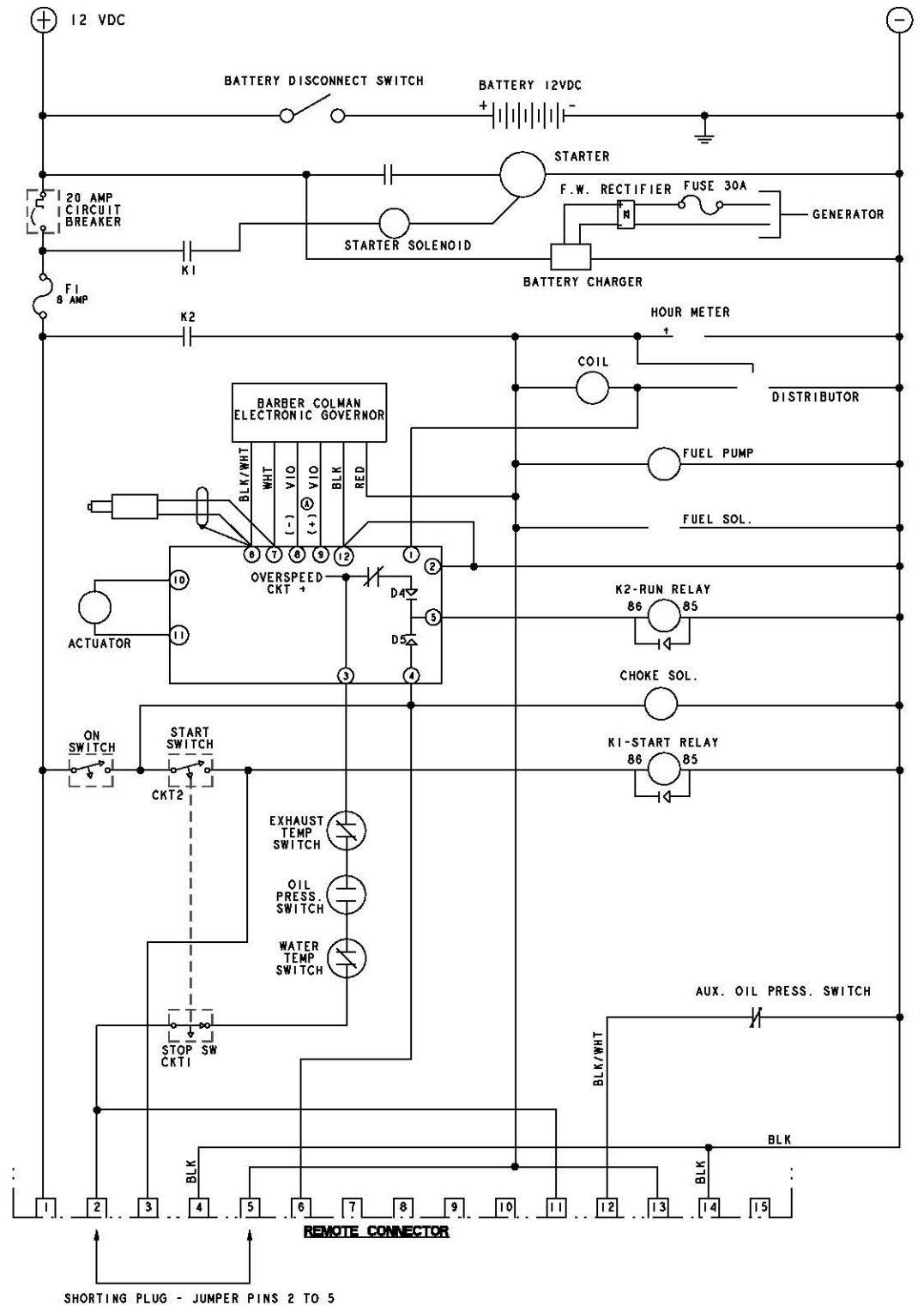
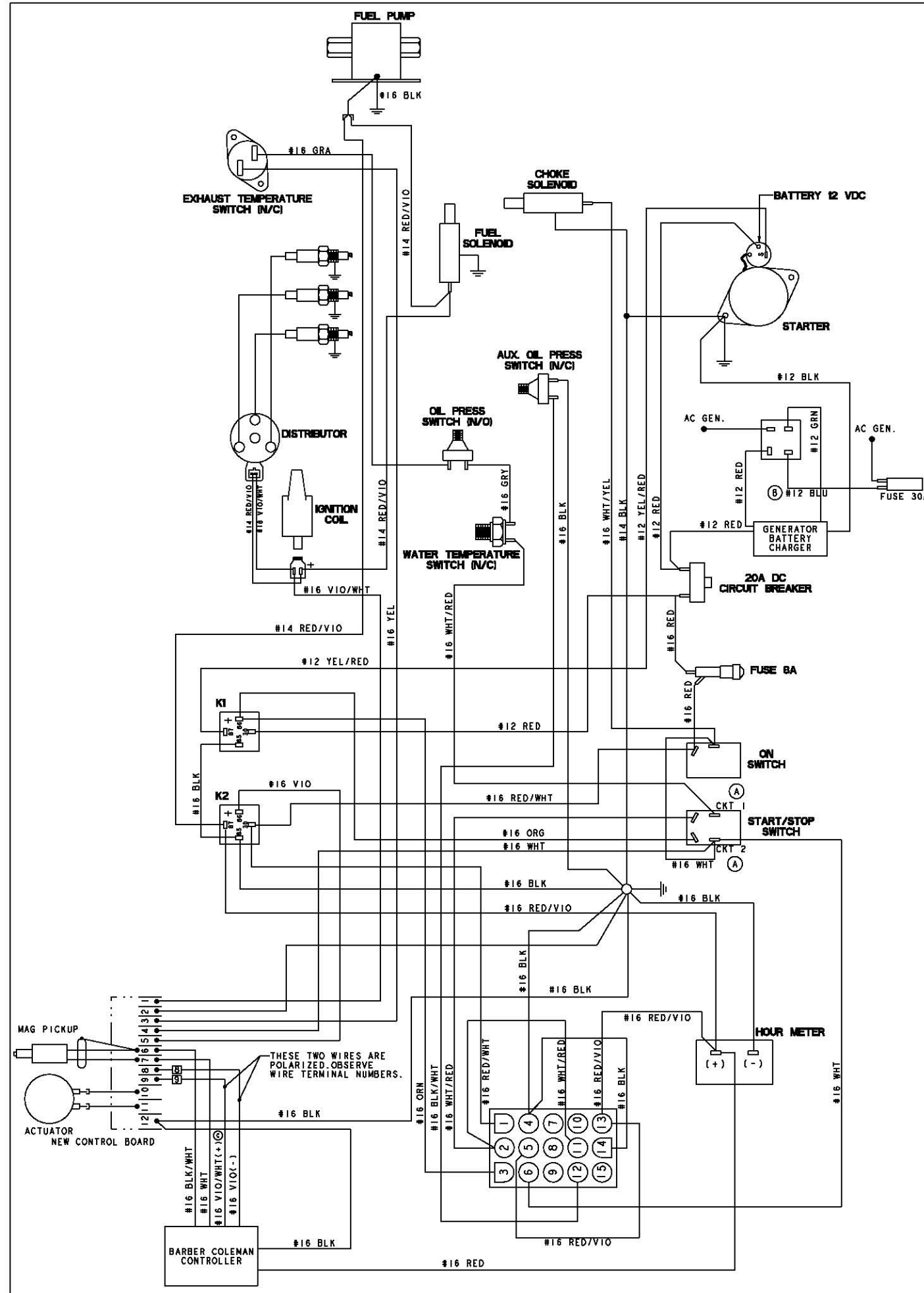


ECO NO.	DATE	REV.	REVISION RECORD	INTX.	DR. BY
5178	7/71	A	ADDED POLARITY SYMBOLS TO SCHEMATIC	TSM	
5291	1/72	B	WIRE #12 BLU WAS #12 GRN	TSM	
5386	1/72	C	CONTROLLER VIO/WHT (+) WAS VIO (+)	HJM	



- NOTES:
1. ALL WIRE #16AWG(105DEG C 600V-ALPHA# 1350/19-MIL-N-16878D TYPE B) UNLESS SPECIFIED OTHERWISE.
  2. WARNING - RELAYS K1, K2 HAVE INTERNAL DIODES ACROSS THEIR COILS, POLARITY AS INDICATED MUST BE MAINTAINED TO AVOID DAMAGE TO THE RELAYS.

TOLERANCES		WESTERBEKE CORPORATION	
UNLESS OTHERWISE SPECIFIED		TAURTON MA. 02780	
INCHES	MILLIMETERS	TITLE	
±.0005	±.0127	WIRING DIAGRAM 5.0 - 7.0 BCG	
±.0010	±.0254	DATE	REV.
±.0015	±.0381	12/18/71	1
±.0020	±.0508	DESIGNED BY	APPROVED BY
±.0030	±.0762	DATE	DATE
±.0040	±.1016	SCALE	NONE
±.0050	±.1270	SIZE	8 1/2 X 11
±.0060	±.1524	QUANTITY	1
±.0070	±.1778	DRW. NO.	46876
±.0080	±.2032	REV.	C
±.0090	±.2286	PAGE 1 OF 1	