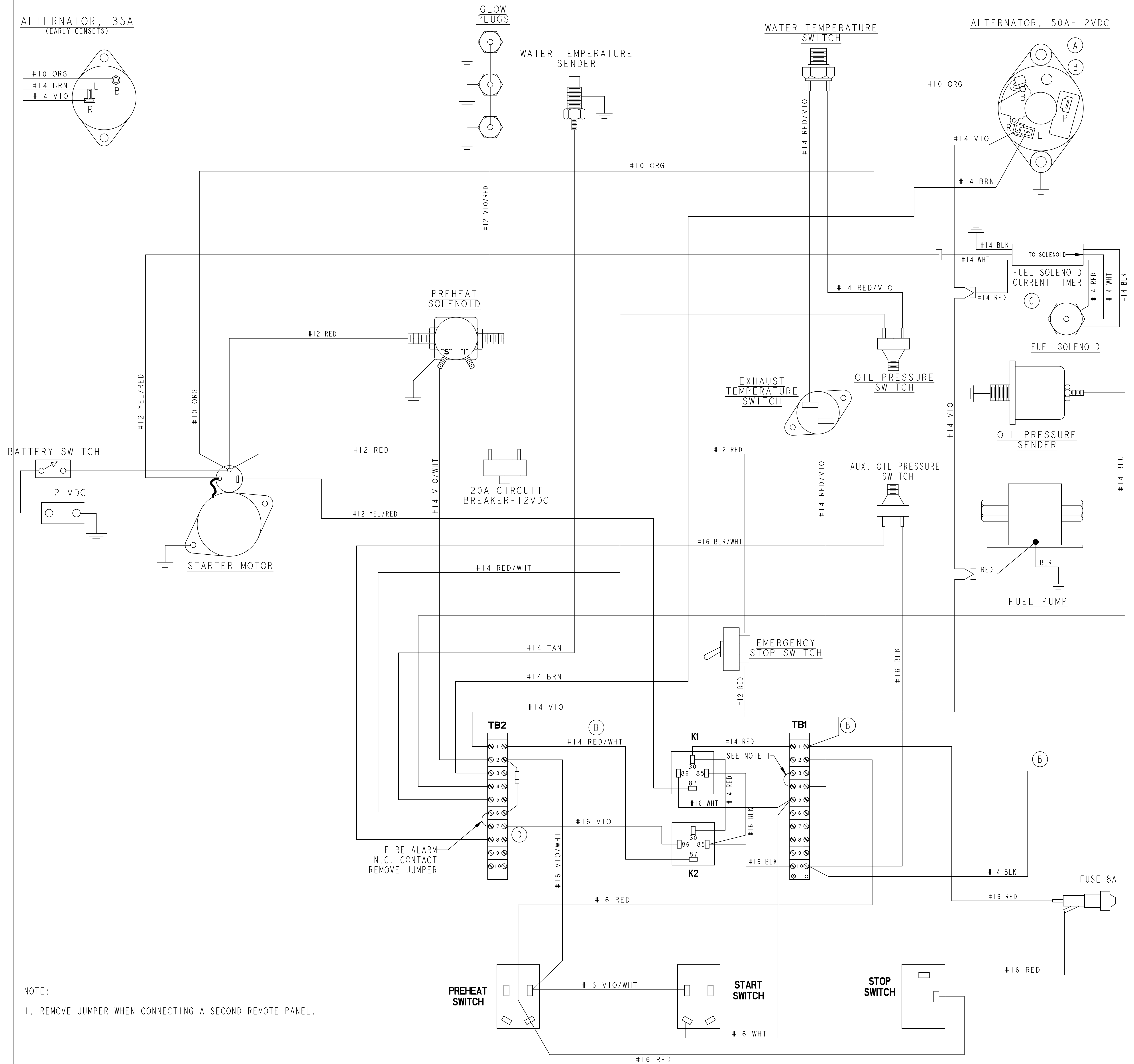
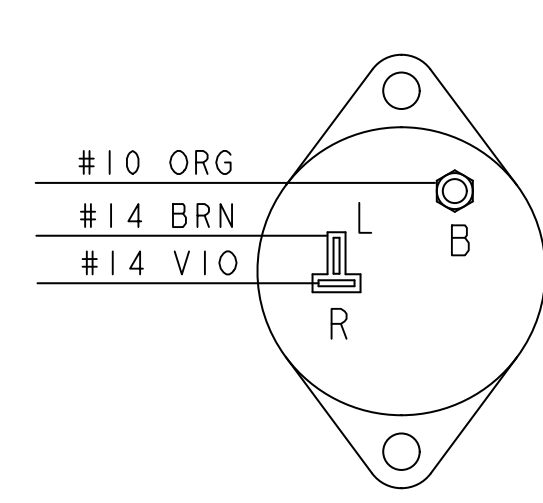
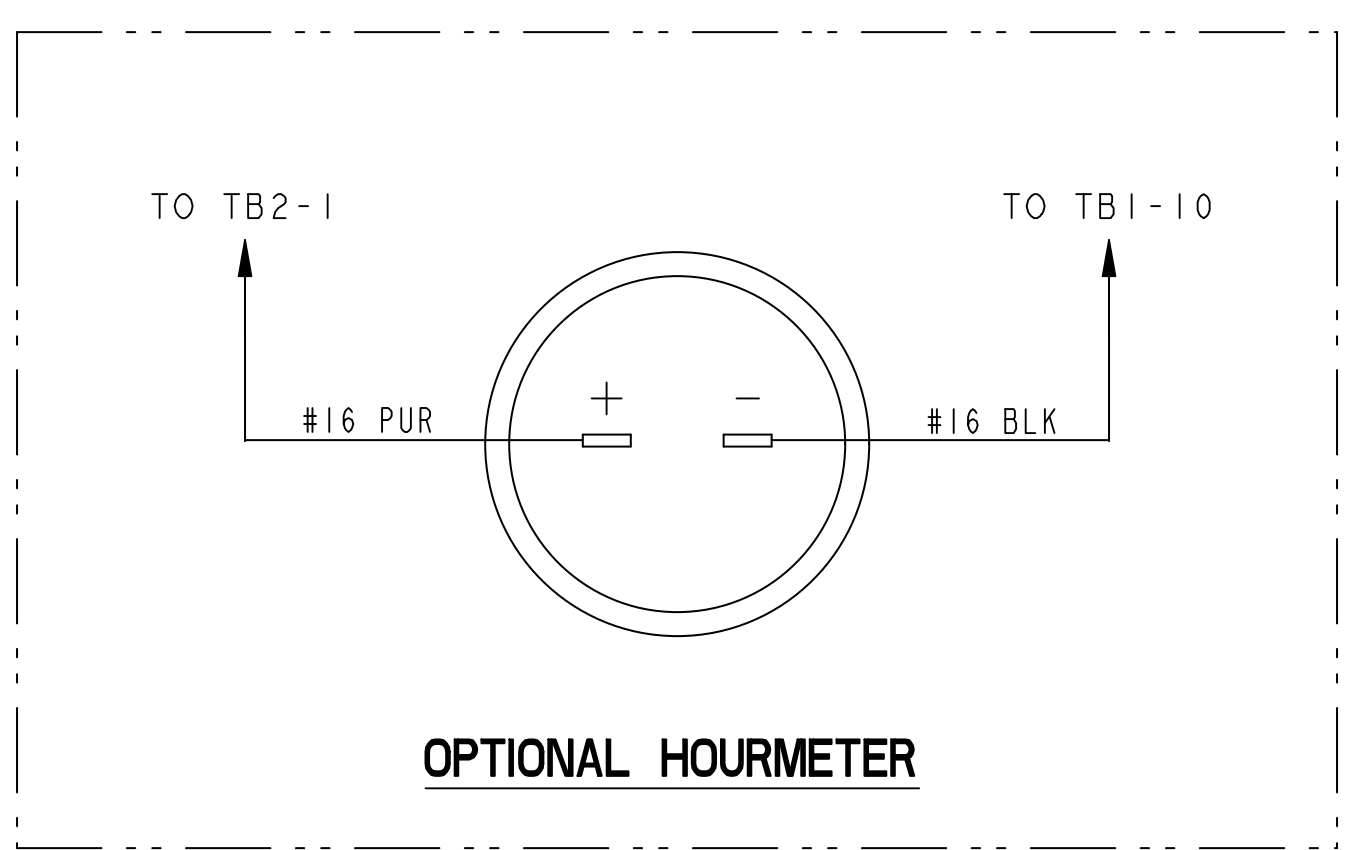
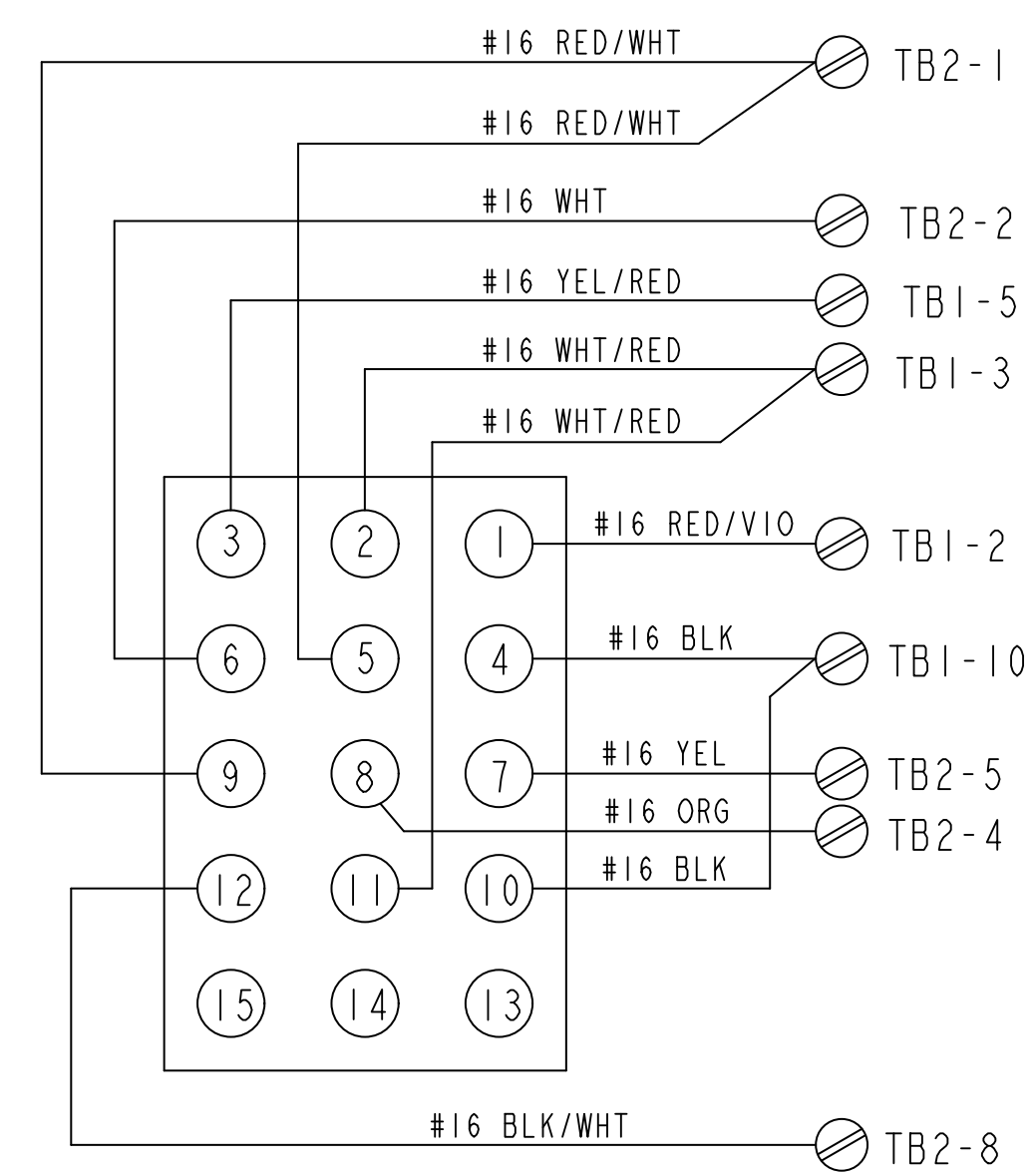


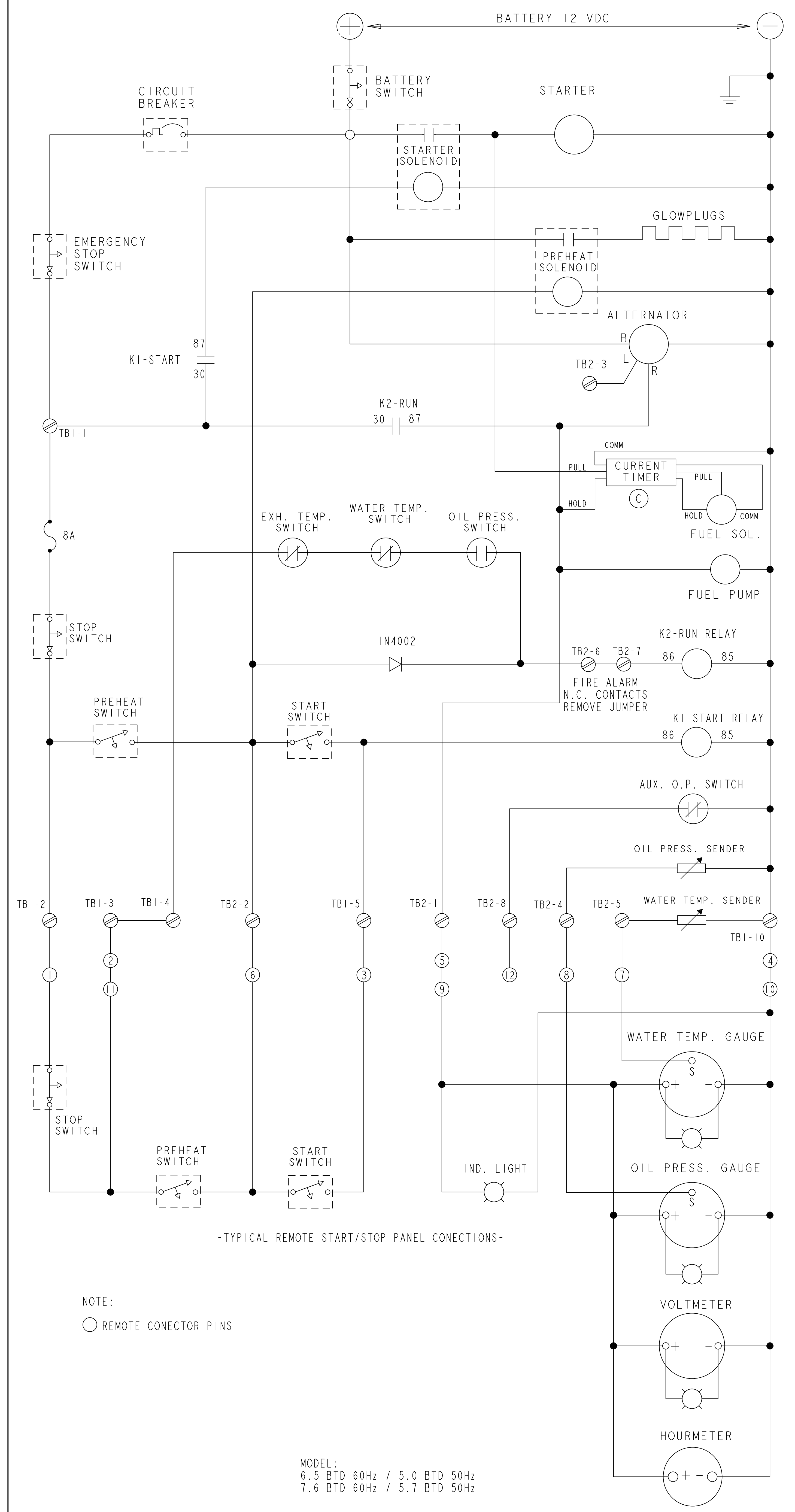
ALTERNATOR, 35A
(EARLY GENSETS)



NOTE:
1. REMOVE JUMPER WHEN CONNECTING A SECOND REMOTE PANEL.



ALTERNATOR, 50A-12VDC



NOTE:
○ REMOTE CONNECTOR PINS

MODEL:
6.5 BTD 60Hz / 5.0 BTD 50Hz
7.6 BTD 60Hz / 5.7 BTD 50Hz

TOLERANCES (UNLESS OTHERWISE NOTED)				WESTERBEKE	
7077	7-11 2014	E	ADD NEW MODEL 6.5 BTD	GA	<small>INCHES</small> MILLIMETERS <small>XX</small> ±.005 <small>CAST</small> ±.005 <small>FINISH</small> ±.005 <small>ANGLES</small> ±.2° <small>FINISH</small> ±.2°
5861	11-2 04	D	ADDED JUMPER BETWEEN TB2-6&7; K2-86 WAS CONNECTED TO TB2-6.	GA	
5082	10/24 01	C	ADDED CURRENT TIMER	TSM	
4876	07/9	B	UPDATED SCHEMATIC TO SHOW GROUND ON ALTERNATOR	JCH	
4632	7/12 05	A	UPDATED ALTERNATOR WIRING SCHEMATIC	TSM	
ECO NO.	DATE	REV.	REVISION RECORD	AUTH.	DR. BY