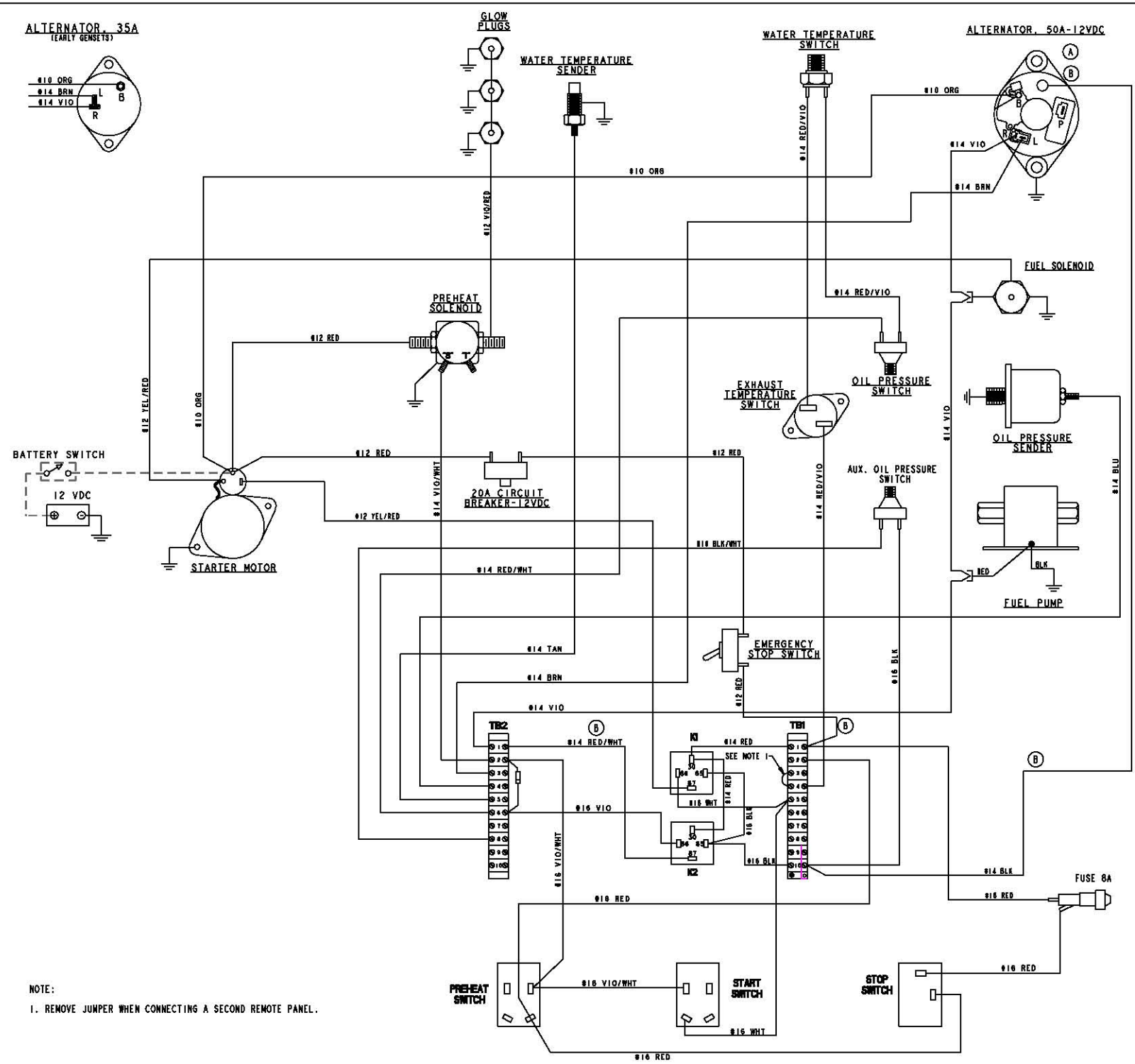
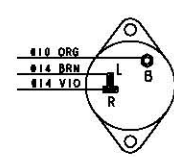
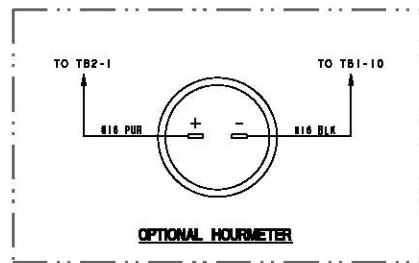
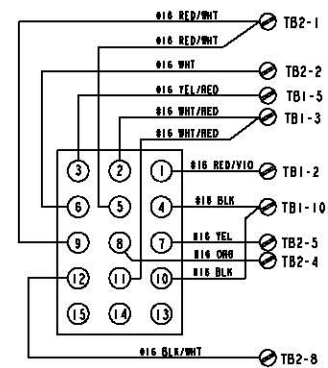


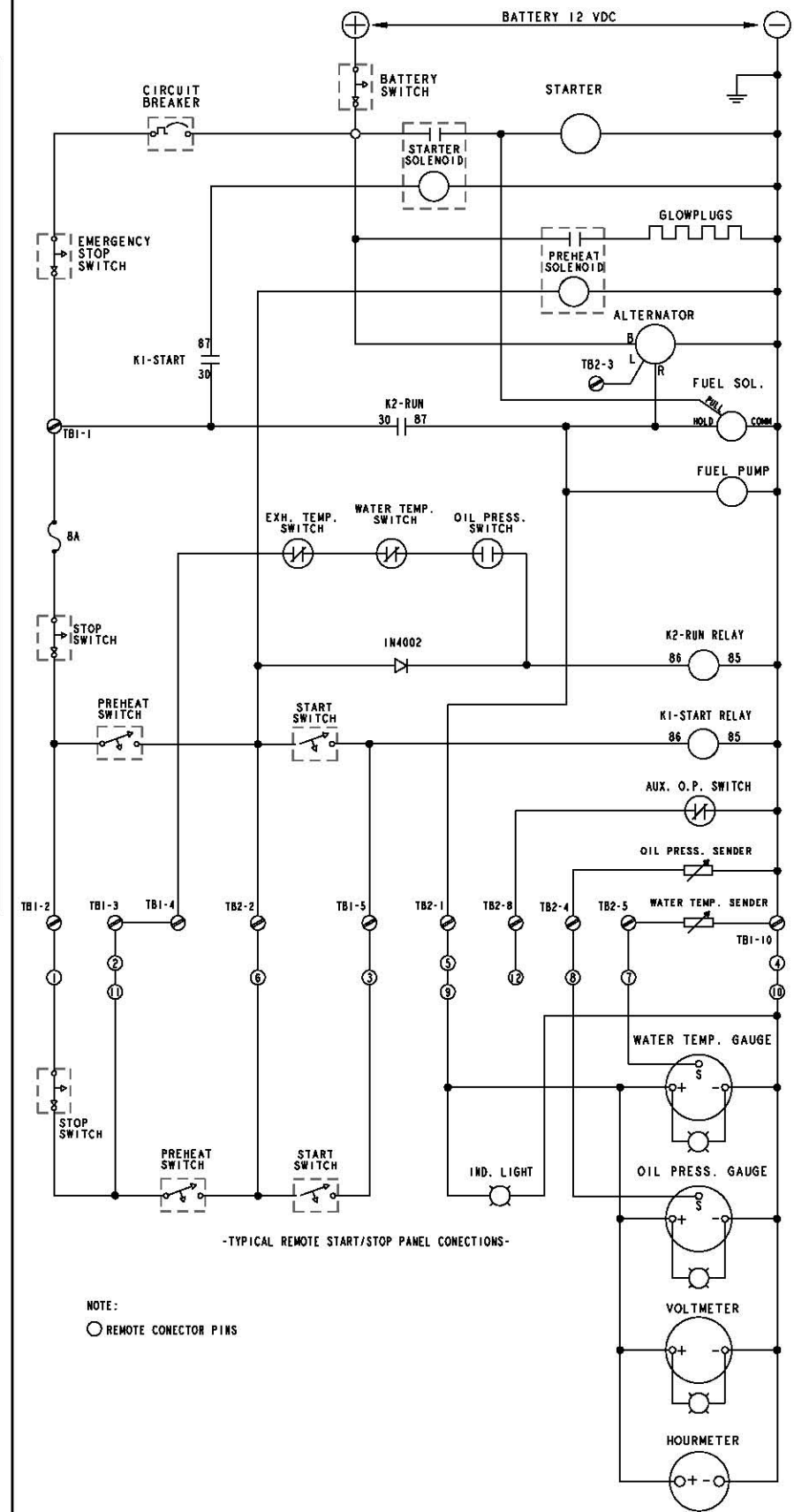
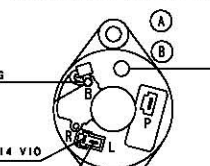
ALTERNATOR 35A
(EARLY GENSETS)



NOTE:
1. REMOVE JUMPER WHEN CONNECTING A SECOND REMOTE PANEL.



ALTERNATOR 50A-12VDC



NOTE:
○ REMOTE CONNECTOR PINS

-TYPICAL REMOTE START/STOP PANEL CONNECTIONS-

ECO NO.	DATE	REV.	REVISION RECORD	AUTH.	DR.	BY
4876	7/81	B	UPDATED SCHEMATIC TO SHOW REMOVAL OF ALTERNATOR	JCH		
4832	1/81	A	UPDATED ALTERNATOR WIRING SCHEMATIC	YSW		

TOLERANCES		WESTERBEKE CORPORATION	
UNLESS OTHERWISE SPECIFIED		AYON MA. 02322	
INCHES	MILLIMETERS	WIRING DIAGRAM/SCHEMATIC,	
FRACTIONS		T.B. & BTD MINI - SRC	
±.0005	±.0025	DATE	REV.
±.0010	±.0050	BY	44734
±.0015	±.0075	CHKD	
±.0020	±.0100	APP'D	
±.0030	±.0150	DATE	
±.0040	±.0200	REV.	
±.0050	±.0250	BY	
±.0060	±.0300	CHKD	
±.0070	±.0350	APP'D	
±.0080	±.0400	DATE	
±.0090	±.0450	REV.	
±.0100	±.0500	BY	