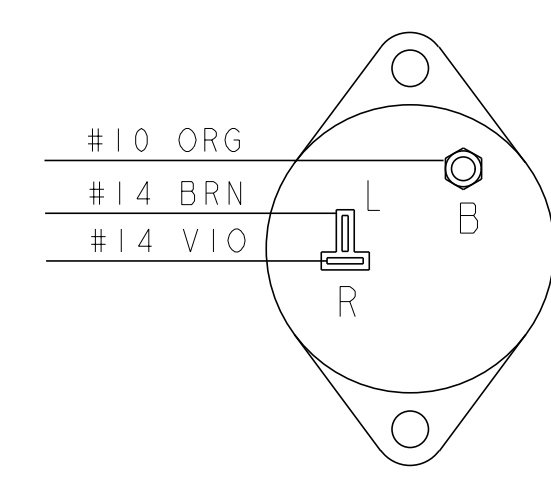
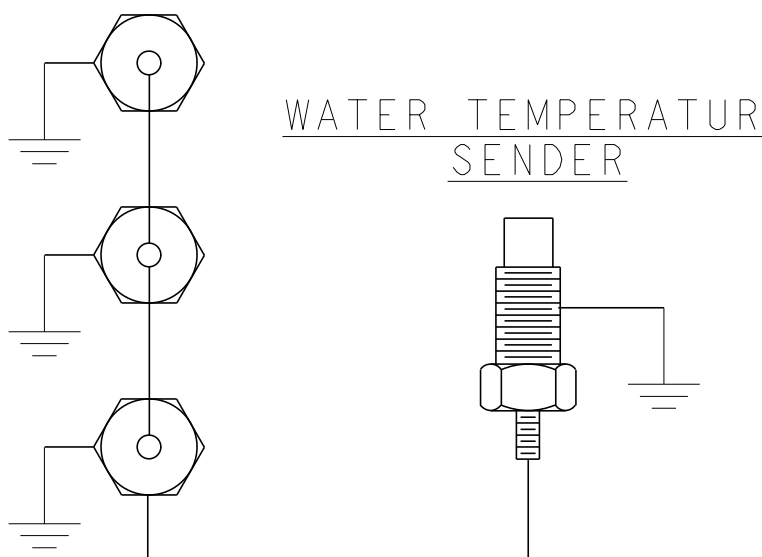


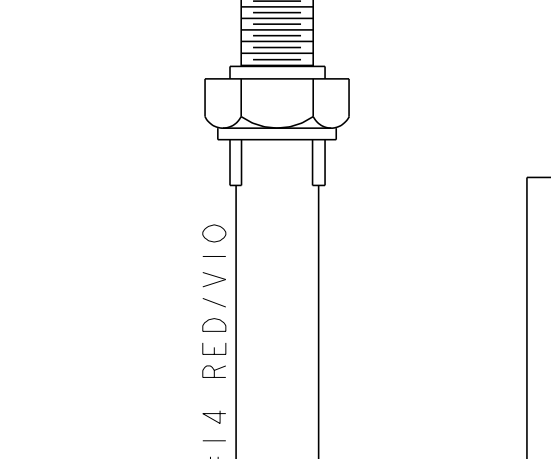
ALTERNATOR, 35A
(EARLY GENSETS)



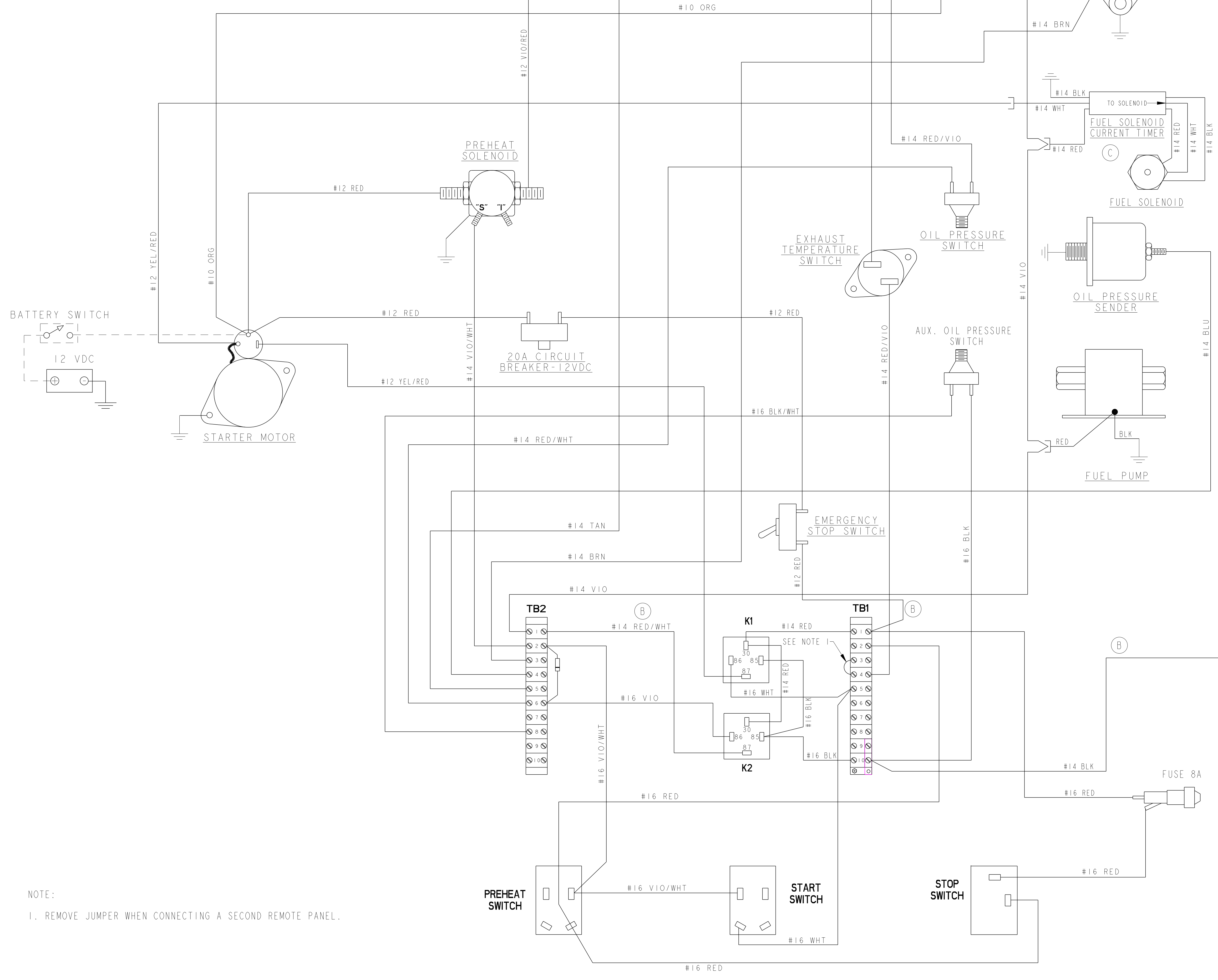
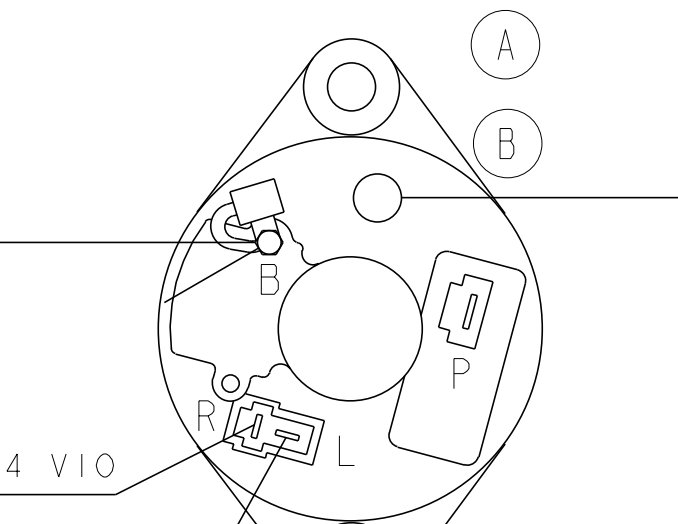
GLOW PLUGS



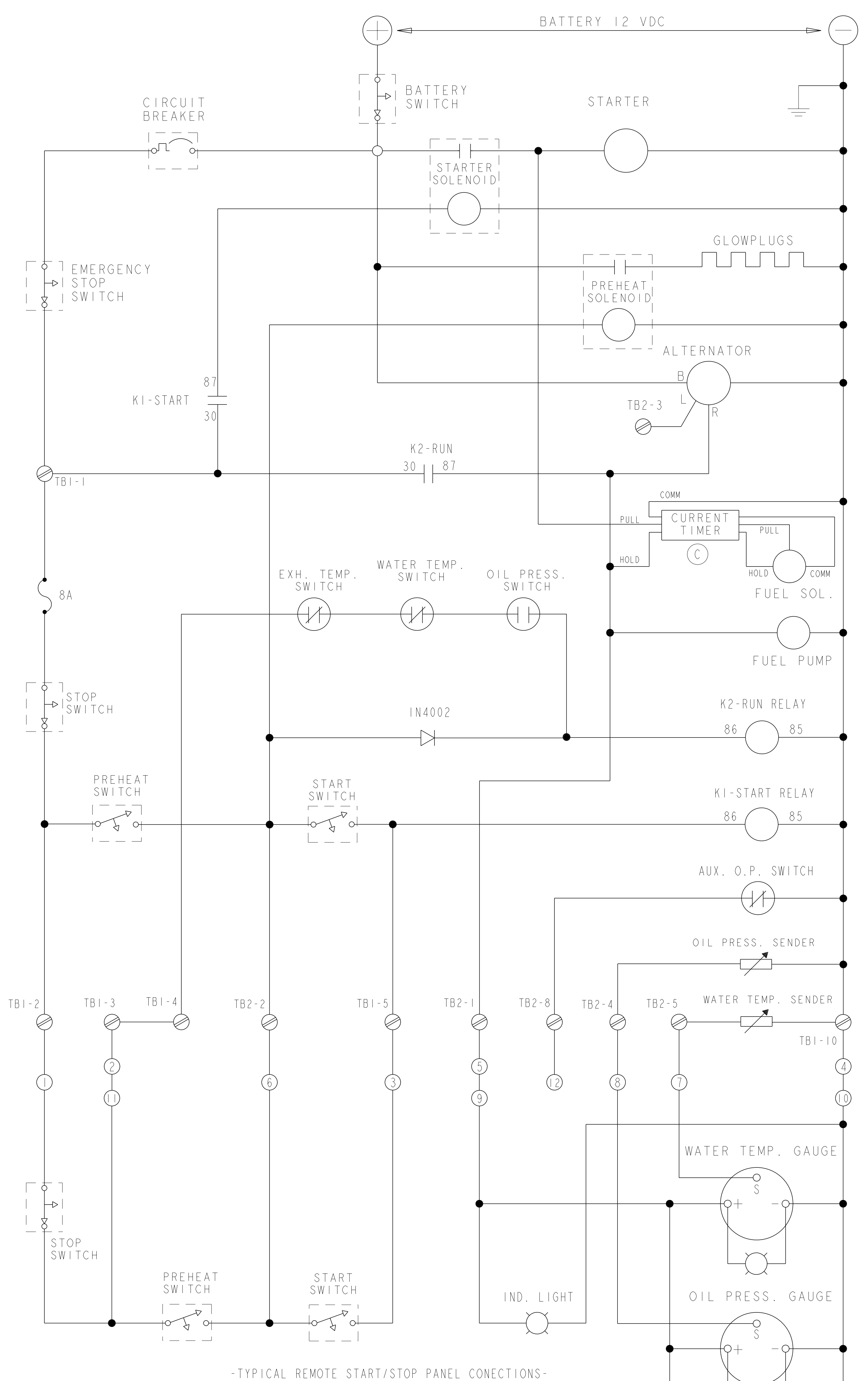
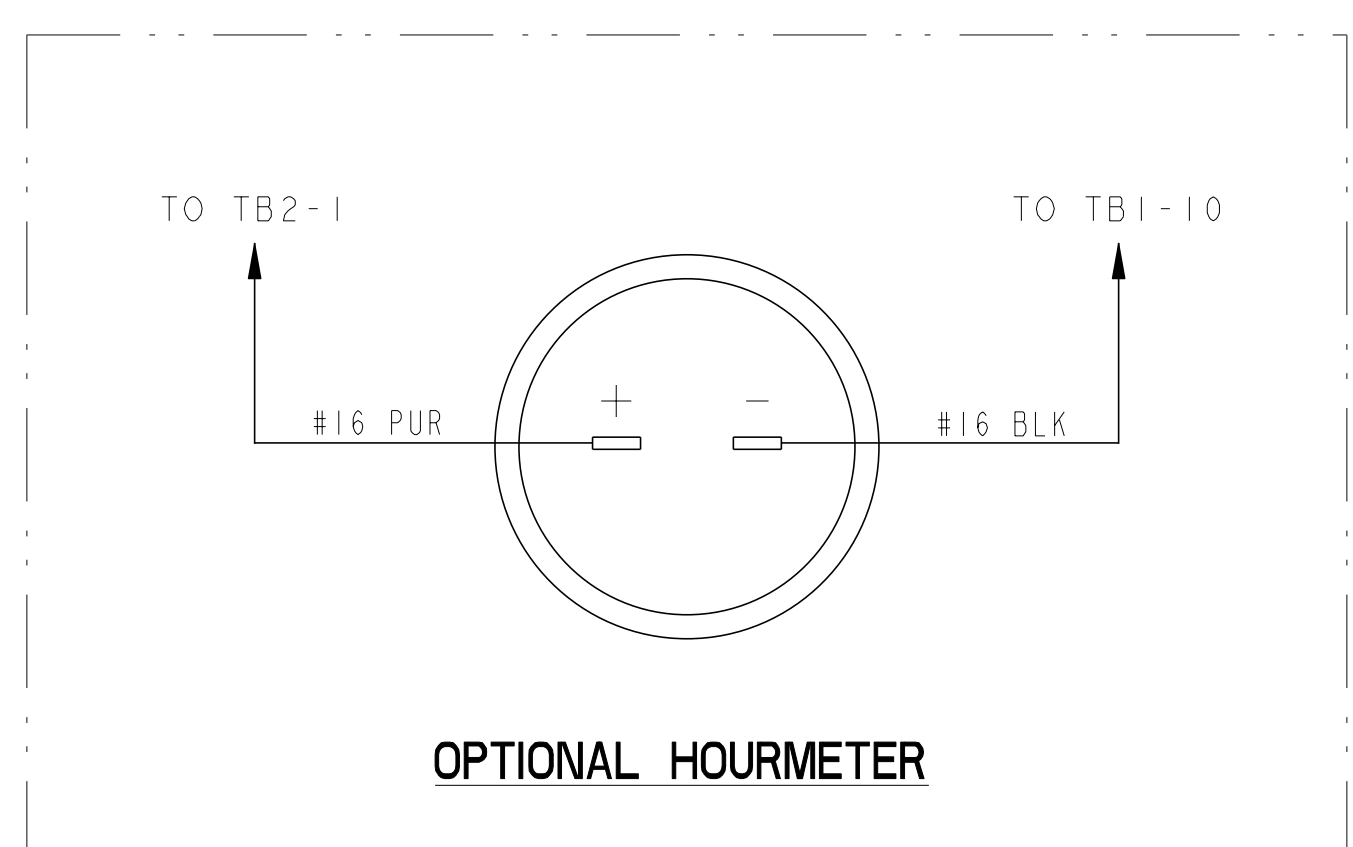
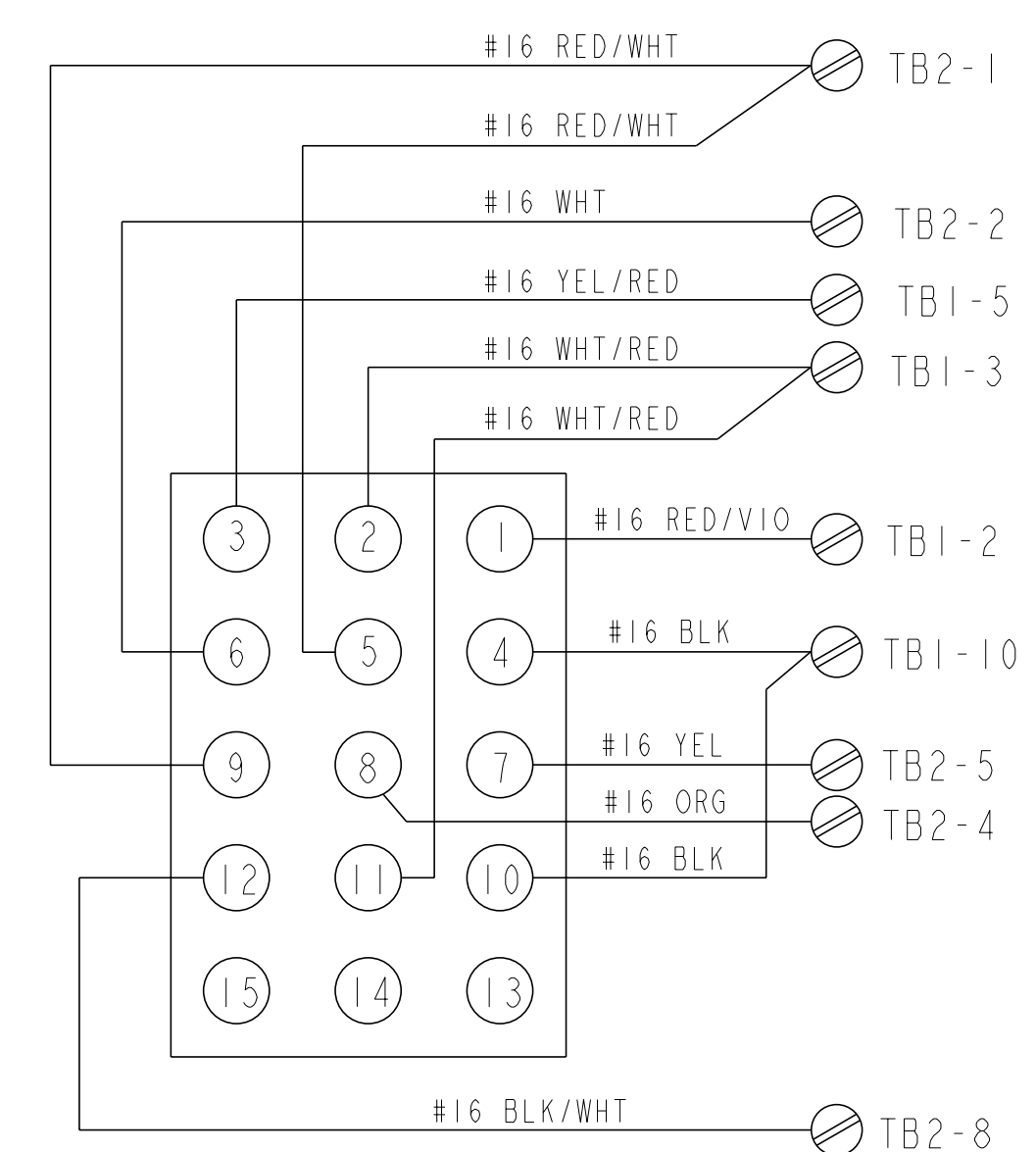
WATER TEMPERATURE SWITCH



ALTERNATOR, 50A-12VDC



NOTE:
1. REMOVE JUMPER WHEN CONNECTING A SECOND REMOTE PANEL.



NOTE:
○ REMOTE CONNECTOR PINS

TOLERANCES (UNLESS OTHERWISE NOTED)		WESTERBEKE CORPORATION AVON MA. 02322	
INCHES	MILLIMETERS	TITLE	
.xx : .00	x : .	WIRING DIAGRAM/SCHEMATIC, 7.6 BTD MINI - SRC	
.xxx : .005	.x : .	DRAWN BY	DATE
CAST : .03	.xx :	JCH	1/4 MAY / 00
FINISH : .5		APPROVED BY	DATE
		TSM	
DIMENSIONS (WHEN APPLICABLE)		SCALE	DRAWING NUMBER
INCHES		NONE	E 44734
		SHT. 1 of 1	REV. C

5082	10/24/01	C	ADDED CURRENT TIMER	TSM
4876	4/9/00	B	UPDATED SCHEMATIC TO SHOW GROUND ON ALTERNATOR	JCH
4632	12/20/99	A	UPDATED ALTERNATOR WIRING SCHEMATIC	TSM
REVISION RECORD				
ECO NO.	DATE	REV.	AUTH.	DR. BY