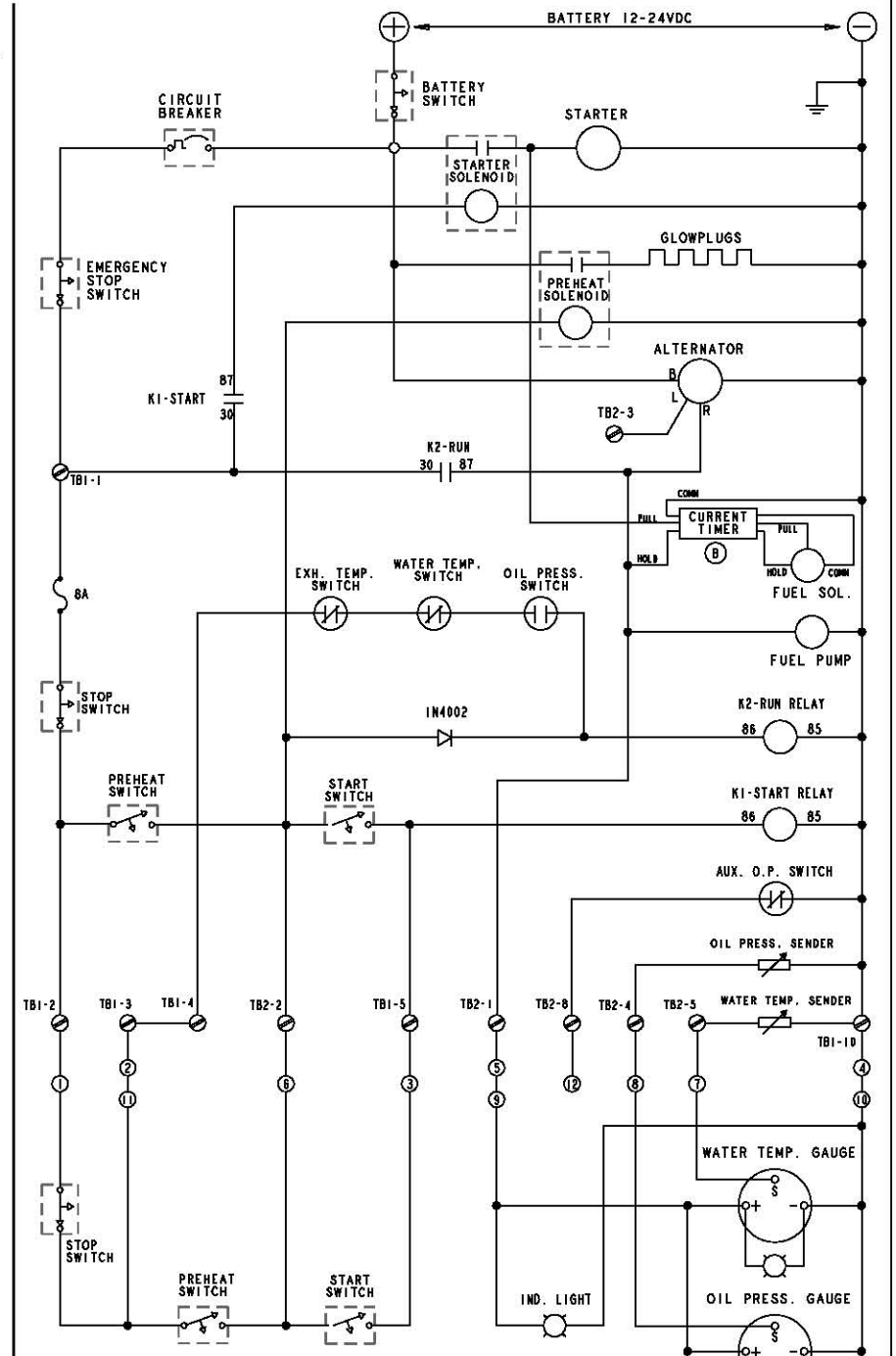
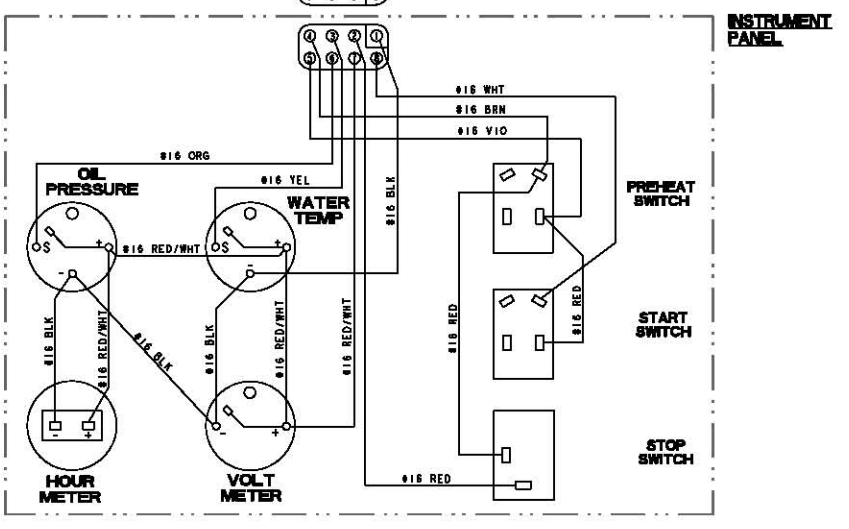
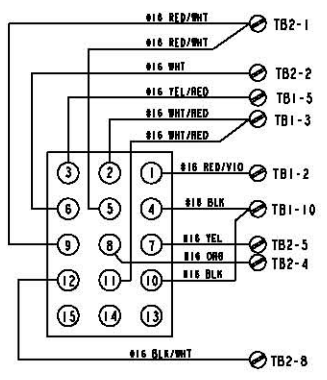


NOTE:  
 1. REMOVE JUMPER WHEN CONNECTING A SECOND REMOTE PANEL.  
 2. GROUND "1" TERMINAL OF PREHEAT SOLENOID ON 24V SYSTEM ONLY.



NOTE:  
 ○ REMOTE CONECTOR PINS

ECO NO.	DATE	REV.	REVISION RECORD	AUTH.	DR. ST.
5082	1/74	B	ADDED CURRENT TIMER	TSM	
4632	7/73	A	UPDATED ALTERNATOR WIRING SCHEMATIC	TSM	

ECO NO.	DATE	REV.	REVISION RECORD	AUTH.	DR. ST.
5082	1/74	B	ADDED CURRENT TIMER	TSM	
4632	7/73	A	UPDATED ALTERNATOR WIRING SCHEMATIC	TSM	

TOLERANCES		WESTERBEKE CORPORATION	
UNLESS OTHERWISE SPECIFIED		AVON MA. 02322	
INCHES	MILLIMETERS	WIRING DIAGRAM/SCHEMATIC	
±.0005	±.0127	8.0 BTM, 10.0 BTM, 12.5 BTM, 15.0 BTDC - SEC	
±.0010	±.0254		
±.0015	±.0381		
±.0020	±.0508		
±.0030	±.0762		
±.0040	±.1016		
±.0050	±.1270		
±.0060	±.1524		
±.0070	±.1778		
±.0080	±.2032		
±.0090	±.2286		
±.0010	±.0254		
±.0015	±.0381		
±.0020	±.0508		
±.0030	±.0762		
±.0040	±.1016		
±.0050	±.1270		
±.0060	±.1524		
±.0070	±.1778		
±.0080	±.2032		
±.0090	±.2286		
±.0010	±.0254		
±.0015	±.0381		
±.0020	±.0508		
±.0030	±.0762		
±.0040	±.1016		
±.0050	±.1270		
±.0060	±.1524		
±.0070	±.1778		
±.0080	±.2032		
±.0090	±.2286		
±.0010	±.0254		
±.0015	±.0381		
±.0020	±.0508		
±.0030	±.0762		
±.0040	±.1016		
±.0050	±.1270		
±.0060	±.1524		
±.0070	±.1778		
±.0080	±.2032		
±.0090	±.2286		
±.0010	±.0254		
±.0015	±.0381		
±.0020	±.0508		
±.0030	±.0762		
±.0040	±.1016		
±.0050	±.1270		
±.0060	±.1524		
±.0070	±.1778		
±.0080	±.2032		
±.0090	±.2286		
±.0010	±.0254		
±.0015	±.0381		
±.0020	±.0508		
±.0030	±.0762		
±.0040	±.1016		
±.0050	±.1270		
±.0060	±.1524		
±.0070	±.1778		
±.0080	±.2032		
±.0090	±.2286		
±.0010	±.0254		
±.0015	±.0381		
±.0020	±.0508		
±.0030	±.0762		
±.0040	±.1016		
±.0050	±.1270		
±.0060	±.1524		
±.0070	±.1778		
±.0080	±.2032		
±.0090	±.2286		
±.0010	±.0254		
±.0015	±.0381		
±.0020	±.0508		
±.0030	±.0762		
±.0040	±.1016		
±.0050	±.1270		
±.0060	±.1524		
±.0070	±.1778		
±.0080	±.2032		
±.0090	±.2286		
±.0010	±.0254		
±.0015	±.0381		
±.0020	±.0508		
±.0030	±.0762		
±.0040	±.1016		
±.0050	±.1270		
±.0060	±.1524		
±.0070	±.1778		
±.0080	±.2032		
±.0090	±.2286		
±.0010	±.0254		
±.0015	±.0381		
±.0020	±.0508		
±.0030	±.0762		
±.0040	±.1016		
±.0050	±.1270		
±.0060	±.1524		
±.0070	±.1778		
±.0080	±.2032		
±.0090	±.2286		
±.0010	±.0254		
±.0015	±.0381		
±.0020	±.0508		
±.0030	±.0762		
±.0040	±.1016		
±.0050	±.1270		
±.0060	±.1524		
±.0070	±.1778		
±.0080	±.2032		
±.0090	±.2286		
±.0010	±.0254		
±.0015	±.0381		
±.0020	±.0508		
±.0030	±.0762		
±.0040	±.1016		
±.0050	±.1270		
±.0060	±.1524		
±.0070	±.1778		
±.0080	±.2032		
±.0090	±.2286		
±.0010	±.0254		
±.0015	±.0381		
±.0020	±.0508		
±.0030	±.0762		
±.0040	±.1016		
±.0050	±.1270		
±.0060	±.1524		
±.0070	±.1778		
±.0080	±.2032		
±.0090	±.2286		
±.0010	±.0254		
±.0015	±.0381		
±.0020	±.0508		
±.0030	±.0762		
±.0040	±.1016		
±.0050	±.1270		
±.0060	±.1524		
±.0070	±.1778		
±.0080	±.2032		
±.0090	±.2286		
±.0010	±.0254		
±.0015	±.0381		
±.0020	±.0508		
±.0030	±.0762		
±.0040	±.1016		
±.0050	±.1270		
±.0060	±.1524		
±.0070	±.1778		
±.0080	±.2032		
±.0090	±.2286		
±.0010	±.0254		
±.0015	±.0381		
±.0020	±.0508		
±.0030	±.0762		
±.0040	±.1016		
±.0050	±.1270		
±.0060	±.1524		
±.0070	±.1778		
±.0080	±.2032		
±.0090	±.2286		
±.0010	±.0254		
±.0015	±.0381		
±.0020	±.0508		
±.0030	±.0762		
±.0040	±.1016		
±.0050	±.1270		
±.0060	±.1524		
±.0070	±.1778		
±.0080	±.2032		
±.0090	±.2286		
±.0010	±.0254		
±.0015	±.0381		
±.0020	±.0508		
±.0030	±.0762		
±.0040	±.1016		
±.0050	±.1270		
±.0060	±.1524		
±.0070	±.1778		
±.0080	±.2032		
±.0090	±.2286		
±.0010	±.0254		
±.0015	±.0381		
±.0020	±.0508		
±.0030	±.0762		
±.0040	±.1016		
±.0050	±.1270		
±.0060	±.1524		
±.0070	±.1778		
±.0080	±.2032		
±.0090	±.2286		
±.0010	±.0254		
±.0015	±.0381		
±.0020	±.0508		
±.0030	±.0762		
±.0040	±.1016		
±.0050	±.1270		
±.0060	±.1524		
±.0070	±.1778		
±.0080	±.2032		
±.0090	±.2286		
±.0010	±.0254		
±.0015	±.0381		
±.0020	±.0508		
±.0030	±.0762		
±.0040	±.1016		
±.0050	±.1270		
±.0060	±.1524		
±.0070	±.1778		
±.0080	±.2032		
±.0090	±.2286		
±.0010	±.0254		
±.0015	±.0381		
±.0020	±.0508		
±.0030	±.0762		
±.0040	±.1016		
±.0050	±.1270		
±.0060	±.1524		
±.0070	±.1778		
±.0080	±.2032		
±.0090	±.2286		
±.0010	±.0254		
±.0015	±.0381		
±.0020	±.0508		
±.0030	±.0762		
±.0040	±.1016		
±.0050	±.1270		
±.0060	±.1524		
±.0070	±.1778		
±.0080	±.2032		
±.0090	±.2286		
±.0010	±.0254		
±.0015	±.0381		
±.0020	±.0508		
±.0030	±.0762		
±.0040	±.1016		
±.0050	±.1270		
±.0060	±.1524		
±.0070	±.1778		
±.0080	±.2032		
±.0090	±.2286		
±.0010	±.0254		
±.0015	±.0381		
±.0020	±.0508		
±.0030	±.0762		
±.0040	±.1016		
±.0050	±.1270		
±.0060	±.1524		
±.0070	±.1778		
±.0080	±.2032		
±.0090	±.2286		
±.0010	±.0254		
±.0015	±.0381		
±.0020	±.0508		
±.0030	±.0762		
±.0040	±.1016		
±.0050	±.1270		
±.0060	±.1524		
±.0070	±.1778		
±.0080	±.2032		
±.0090	±.2286		
±.0010	±.0254		
±.0015	±.0381		
±.0020	±.0508		
±.0030	±.0762		
±.0040	±.1016		
±.0050	±.1270		
±.0060	±.1524		
±.0070	±.1778		
±.0080	±.2032		
±.0090	±.228		