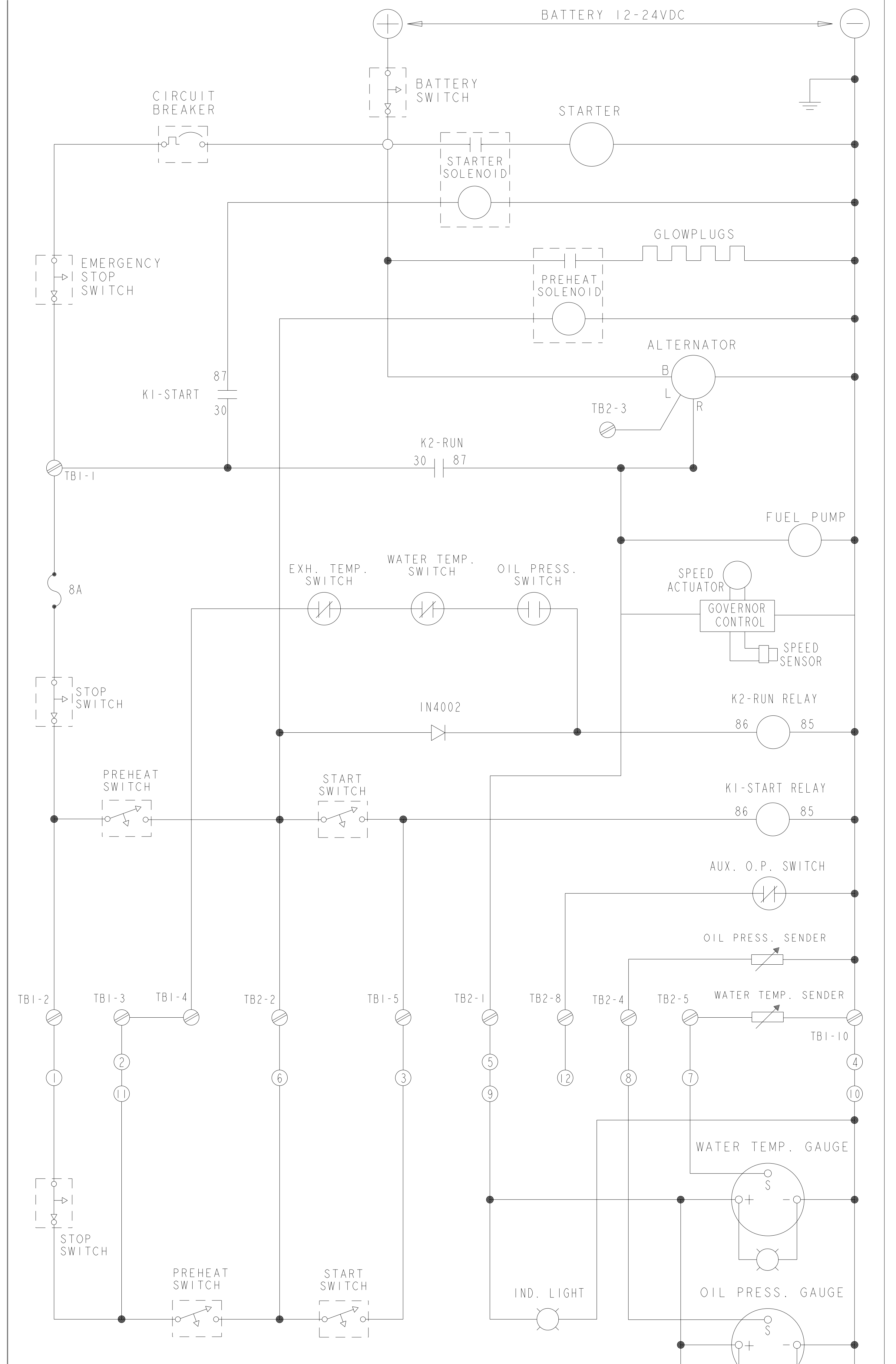
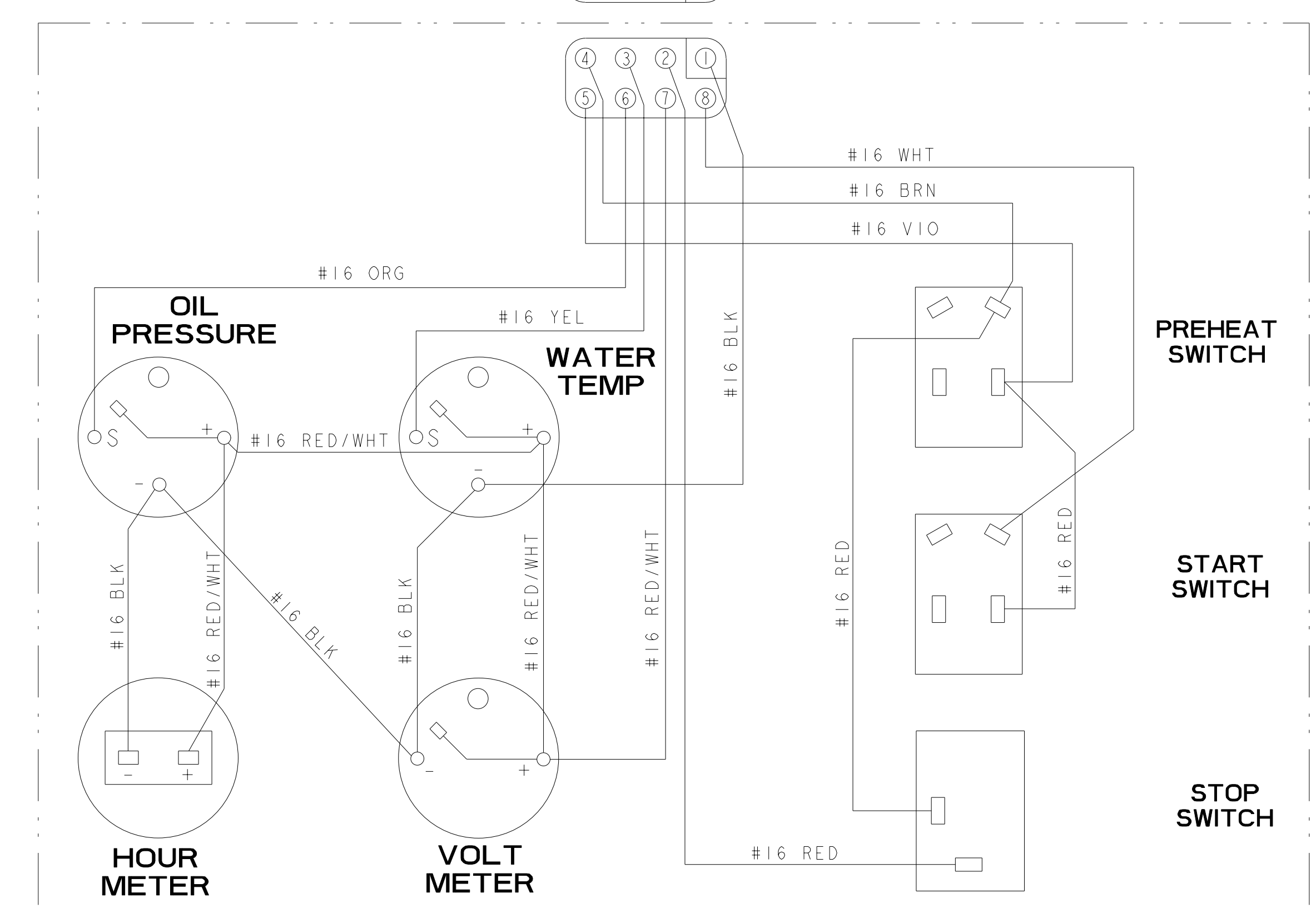
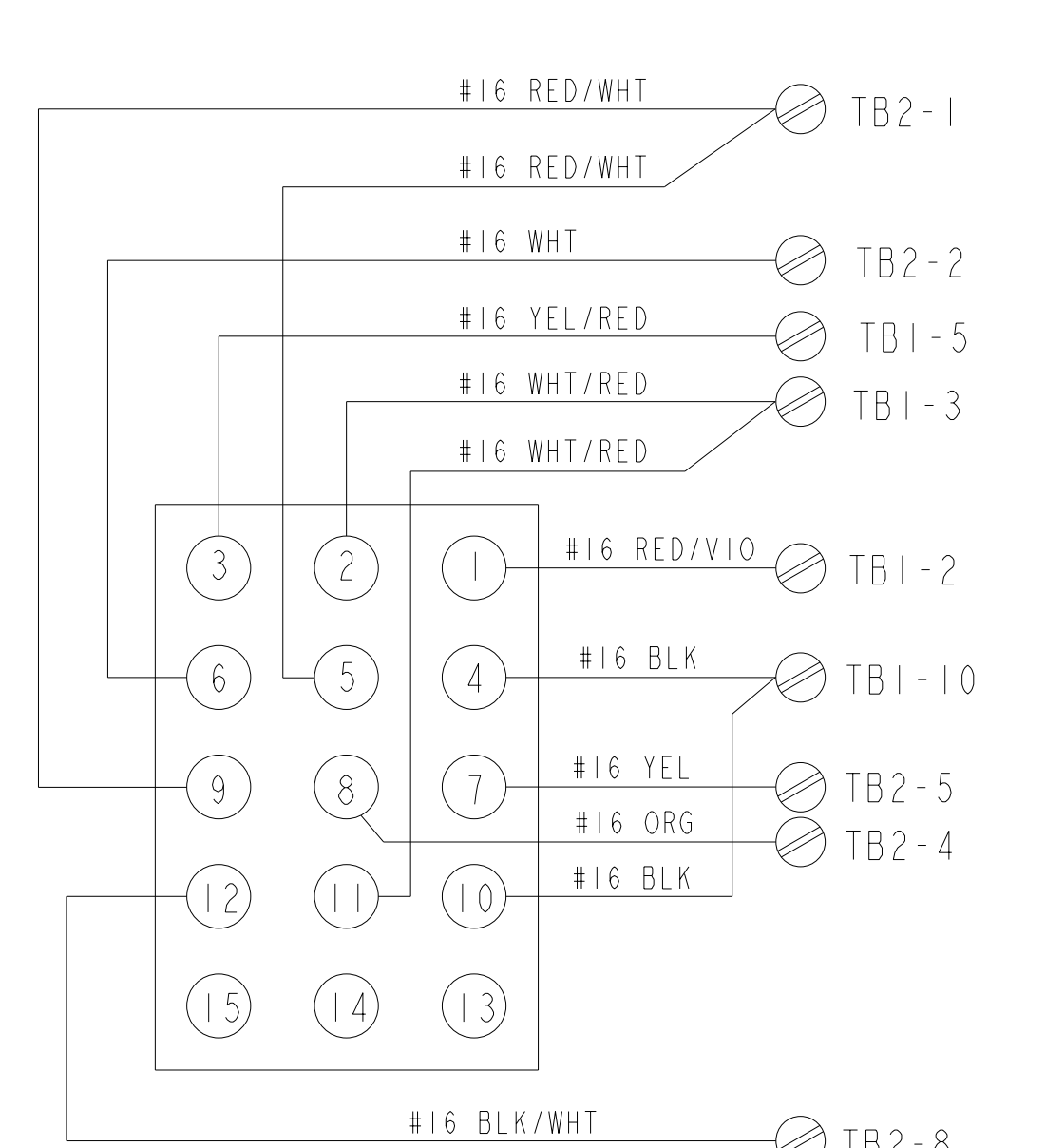


NOTE:
 1. REMOVE JUMPER WHEN CONNECTING A SECOND REMOTE PANEL.
 2. GROUND "1" TERMINAL OF PREHEAT SOLENOID ON 24V SYSTEM ONLY.



NOTE:
 ○ REMOTE CONNECTOR PINS

TOLERANCES (UNLESS OTHERWISE NOTED)		WESTERBEKE CORPORATION AVON MA. 02322	
INCHES	MILLIMETERS	TITLE	WIRING DIAGRAM/SCHEMATIC, 8.0 BTDA, 10.0 BTDA, 12.5 BTDB, 15.0 BTDC - SRC W/ELECT GOV
.XX	.09	DATE	16/ Jun/08
.XX	.005	APPROVED BY	
CAST	.03	DATE	
FINISH	.5	MATERIAL	
		DRAWN BY	
		DATE	
		SCALE	NONE
		SIZE	DRAWING NUMBER
		SHT.	1 OF 1
		REV.	E 44927

ECO. NO.	DATE	REV.	REVISION RECORD	AUTH.	DR. BY