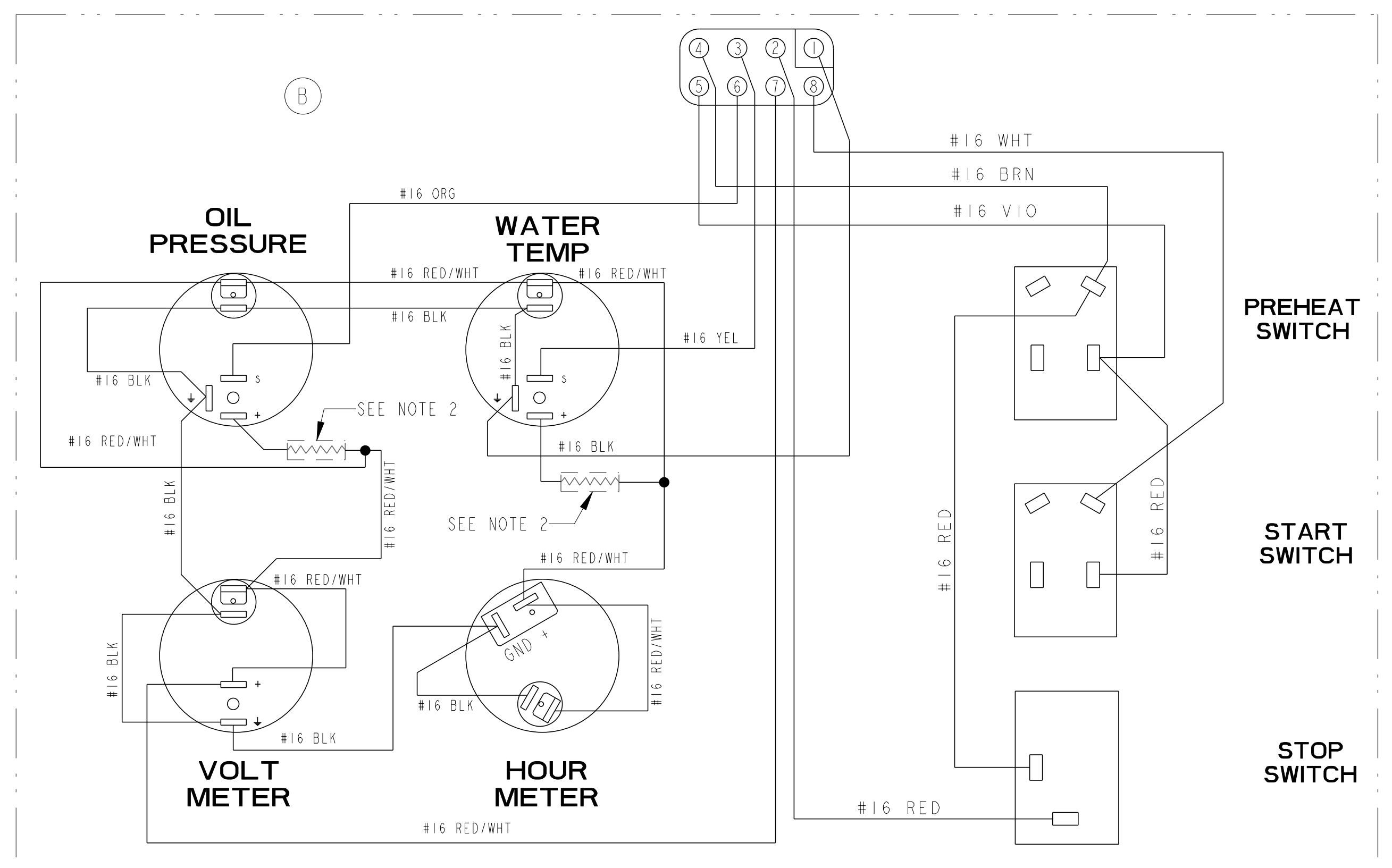
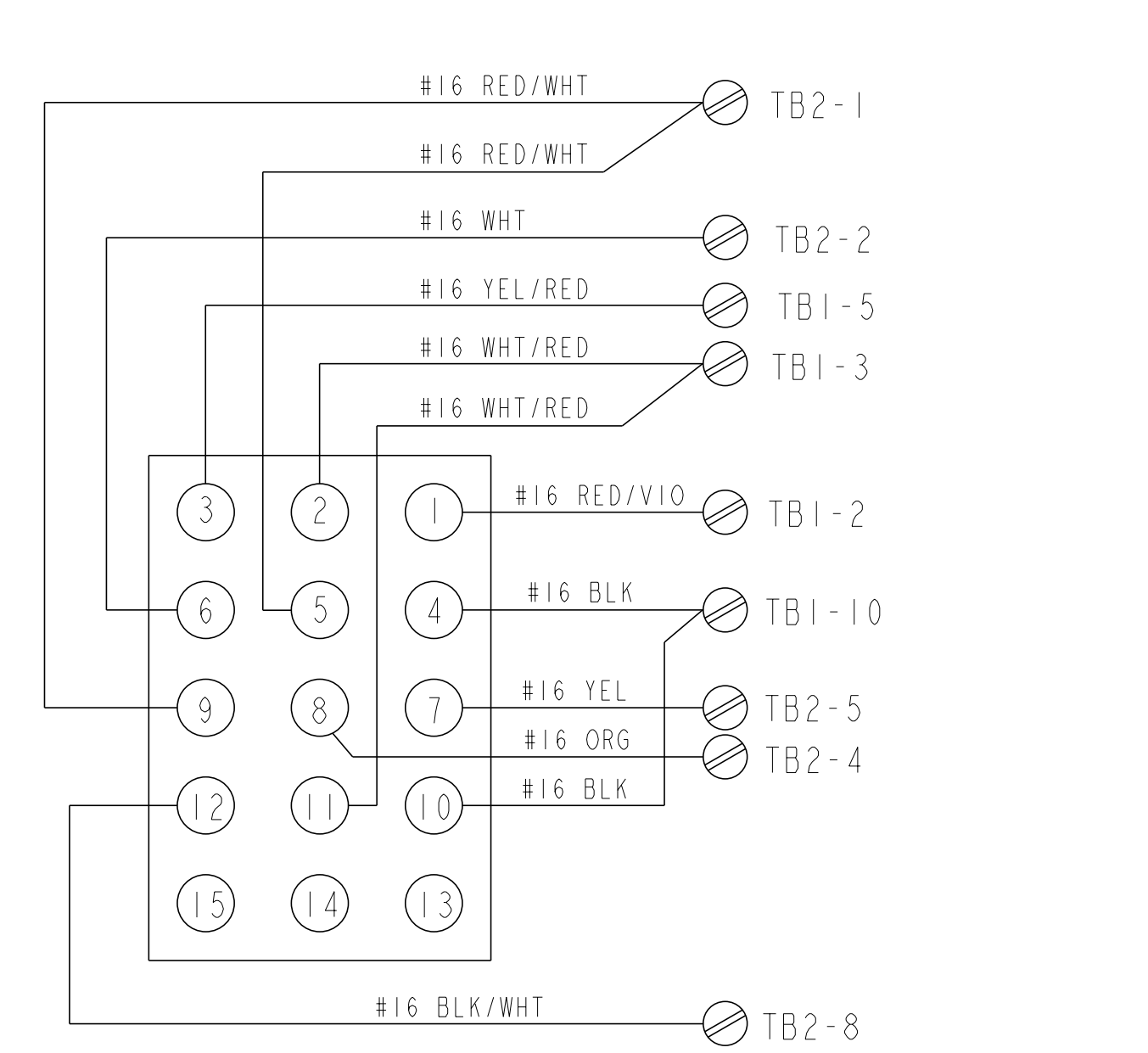


NOTE:
1. REMOVE JUMPER WHEN CONNECTING A SECOND REMOTE PANEL.



INSTRUMENT PANEL

NOTE:
1. REMOTE CONNECTOR PINS
2. FOR 24 VOLT SYSTEM, USE 150Ω RESISTOR AS SHOWN.

5121	11/19	B	GAGES CHANGED; REWIRED INSTRUMENT PANEL	JRS
4777	8/17	A	UPDATED WIRING FOR GROUND SOLENOID	JH
ECO NO.	DATE	REV.	REVISION RECORD	AUTH. DR. BY

TOLERANCES (UNLESS OTHERWISE NOTED)		WESTERBEKE CORPORATION AVON, MA. 02322	
INCHES	MILLIMETERS	TITLE	
XX : .00	X :	WIRING DIAGRAM/SCHEMATIC, 8.0 B7DA - 15 B7DC	
XXX : .005	XX :	UNGROUNDING - SRC W/ELECTRONIC GOVERNING	
CAST : .03	.XX :	DRAWN BY	
FINISH : .25		DATE	
		MATERIAL	
		APPROVED BY	
		DATE	
		SCALE NONE	
		SIZE	
		DRAWING NUMBER	
		REV.	
		E 44970	
		SHT. 1 of 1	