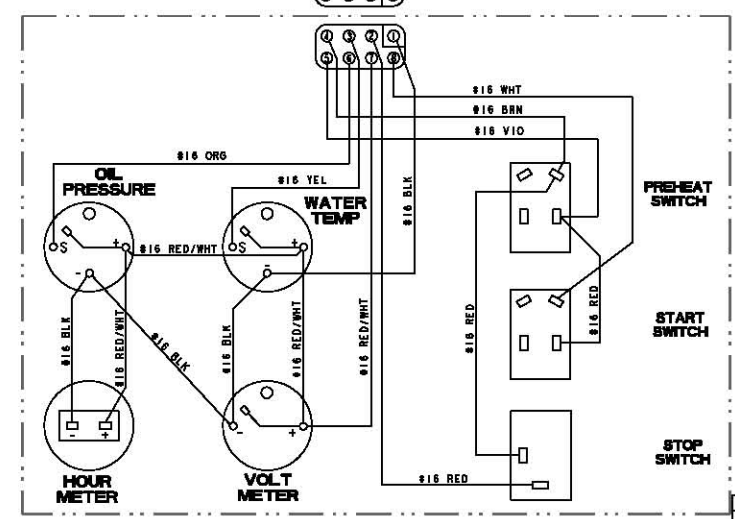
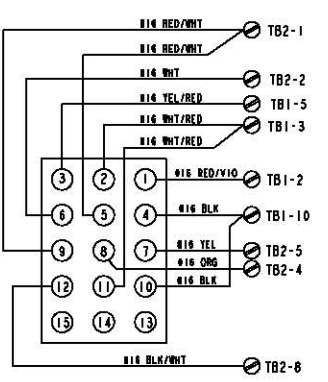


-TYPICAL REMOTE START/STOP PANEL CONNECTIONS-

NOTE:
 ○ REMOTE CONECTOR PINS

NOTE:
 1. REMOVE JUMPER WHEN CONNECTING A SECOND REMOTE PANEL.



ECO NO.	DATE	REV.	REVISION RECORD	AUTH.	DR.	ECO NO.	DATE	REV.	REVISION RECORD	AUTH.	DR.

TOLERANCES		WESTERBEKE CORPORATION AVON MA. 02322	
INCHES	FRACTIONS	TITLE	
1/16	1/32	WIRING DIAGRAM/SCHEMATIC, 8.0 BEDA-15.8 BEDC, UNGROUNDED - SRC	
1/8	3/16	DATE	REV.
3/16	1/2	08/11/90	1
1/2	3/4	DESIGNED BY	CHKD BY
3/4	1	SCALE NONE	DATE 08/11/90
1	1 1/2	SIZE	44807
1 1/2	2	REV.	
2	3	REV.	
3	4	REV.	
4	5	REV.	
5	6	REV.	
6	7	REV.	
7	8	REV.	
8	9	REV.	
9	10	REV.	
10	11	REV.	
11	12	REV.	
12	13	REV.	
13	14	REV.	
14	15	REV.	
15	16	REV.	
16	17	REV.	
17	18	REV.	
18	19	REV.	
19	20	REV.	