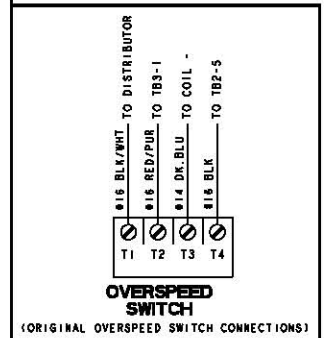
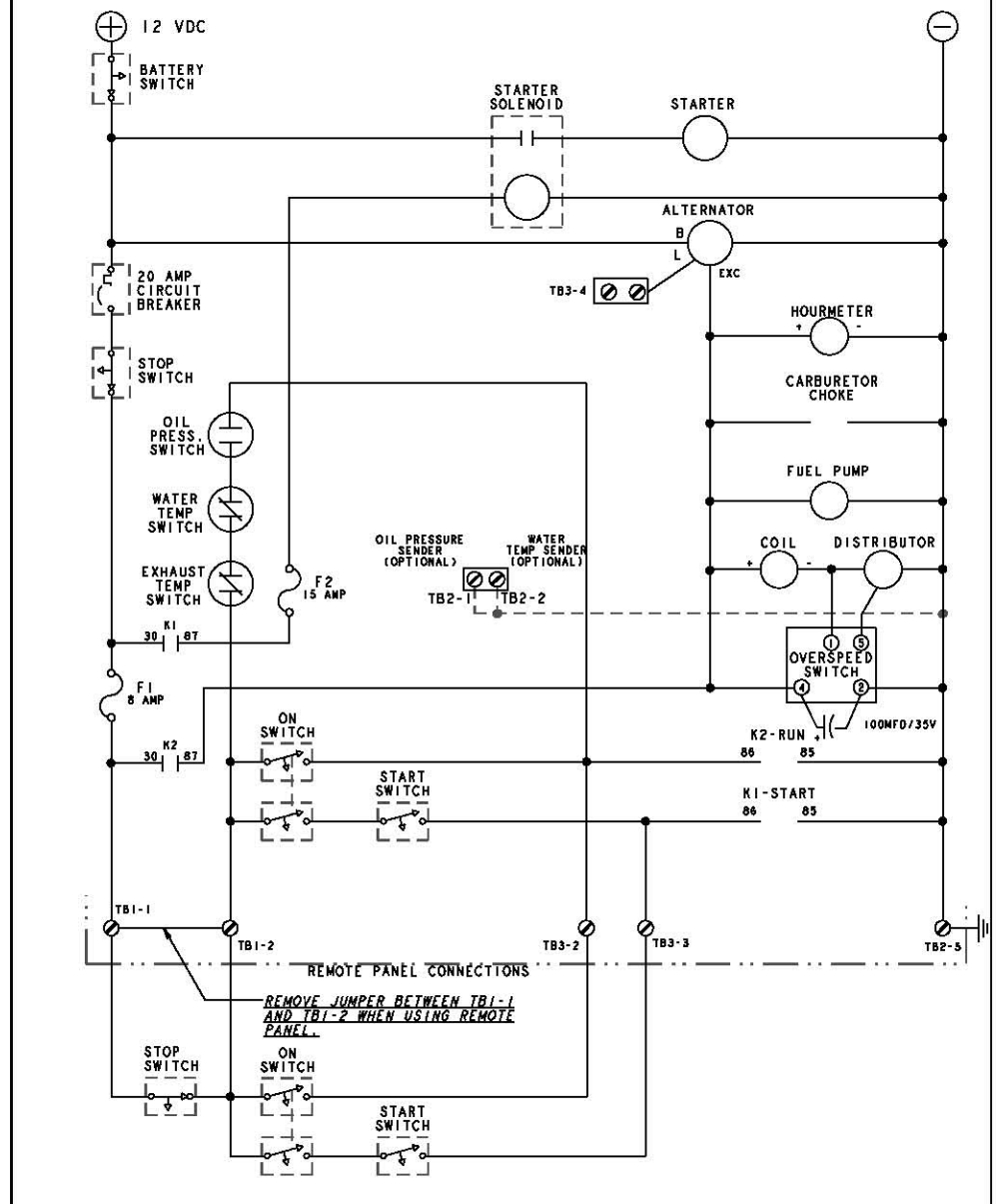


ECO NO.	DATE	REV.	REVISION RECORD	DATE	BY
4644		A	CHANGED WIRE COLORS FROM RED/PUR TO RED TO MATCH HARNESS. P/W #4116. CHANGED WIRE FROM RED/PUR TO PUR TO MATCH HARNESS. P/W #4817.		TSM



TOLERANCES		WESTERBEKE CORPORATION	
INCHES	FRACTIONS	AVON, MA., 02322	
MILLIMETERS	FRACTIONS	WIRING DIAGRAM, 8.5, 12.5, AND 15.0 KW BTG GASOLINE GENSETS	
UNLESS OTHERWISE NOTED		DATE	REV.
		5/17/80	
DIMENSIONS	UNLESS OTHERWISE NOTED	SCALE	BY
		DATE	BY
		5/17/80	
		DATE	BY
		DATE	BY