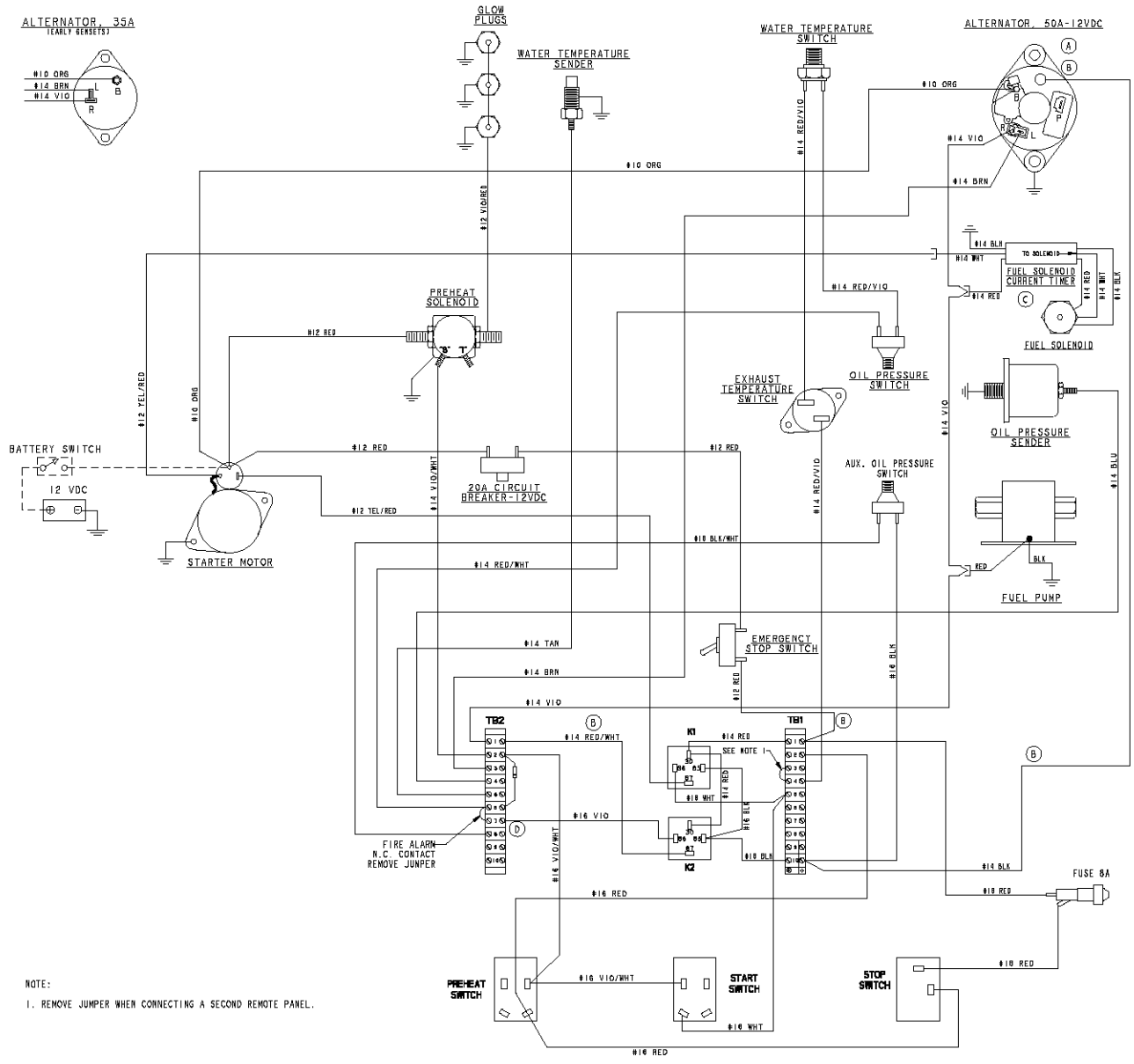
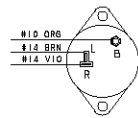
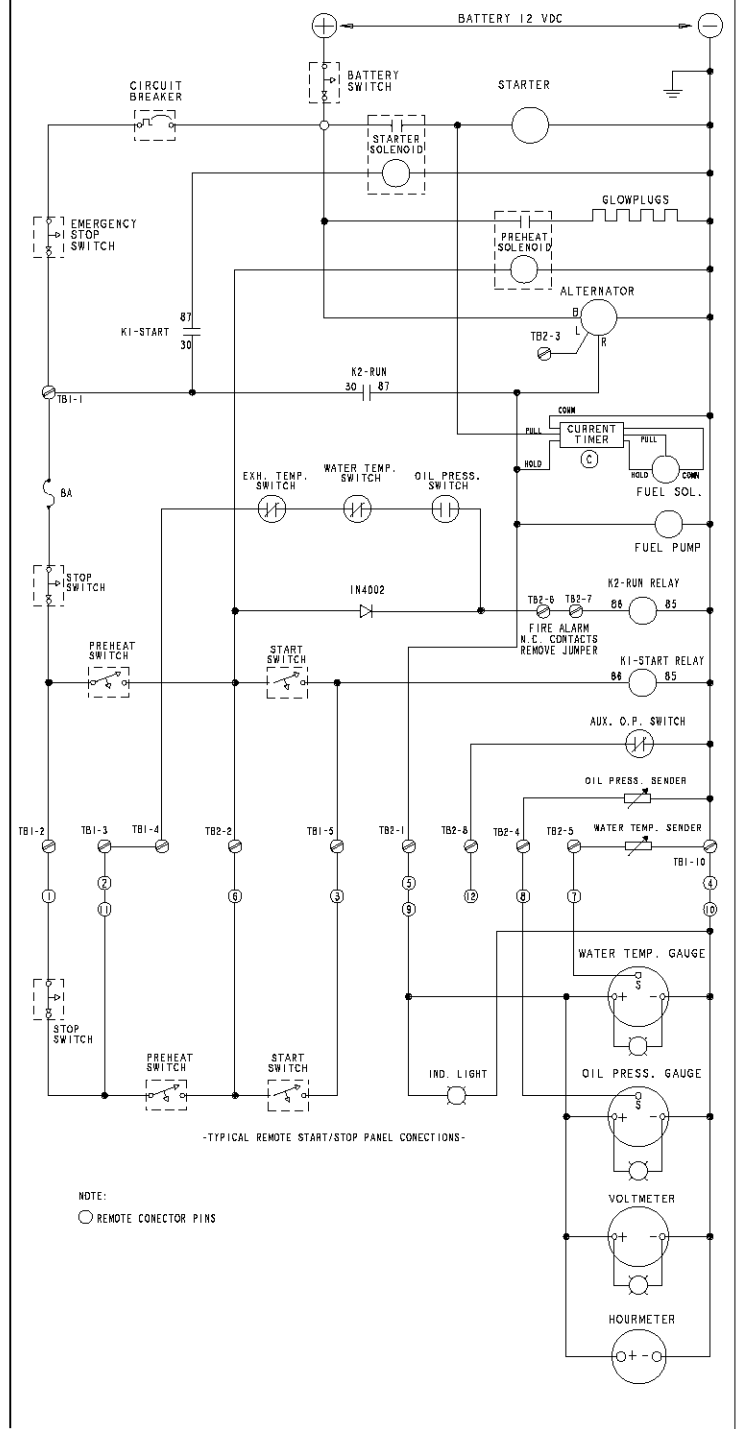
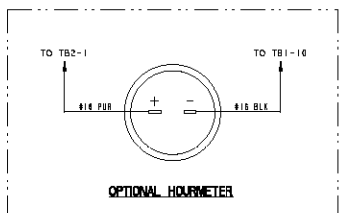
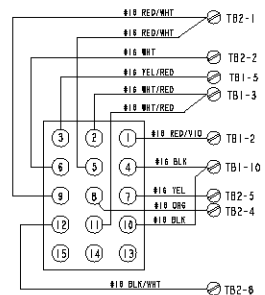


ALTERNATOR 35A
(EARLY MODELS)



NOTE:
1. REMOVE JUMPER WHEN CONNECTING A SECOND REMOTE PANEL.



NOTE:
○ REMOTE CONNECTOR PINS

TOLERANCES UNLESS OTHERWISE SPECIFIED				WESTERBEKE CORPORATION			
INCHES		MILLIMETERS		AVON, MA. 02322			
FRACTIONS	DECIMALS	FRACTIONS	DECIMALS	WIRING DIAGRAM/SCHEMATIC,			
1/16" - 3/16"	0.005	1/16" - 3/16"	0.005	7.8 BTD - SRC			
3/16" - 1/2"	0.005	3/16" - 1/2"	0.005	FORM NO.	REV.	DATE	APPROVED BY
1/2" - 1 1/2"	0.010	1/2" - 1 1/2"	0.010	44734	1	10/10/80	JCH
1 1/2" - 2 1/2"	0.015	1 1/2" - 2 1/2"	0.015	MADE NONE			
2 1/2" - 4 1/2"	0.020	2 1/2" - 4 1/2"	0.020	SCALE NONE			
4 1/2" - 6 1/2"	0.030	4 1/2" - 6 1/2"	0.030	SHEET 1 OF 1			
6 1/2" - 12 1/2"	0.040	6 1/2" - 12 1/2"	0.040	REV. E 44734			
12 1/2" - 18 1/2"	0.050	12 1/2" - 18 1/2"	0.050	D			
18 1/2" - 24 1/2"	0.060	18 1/2" - 24 1/2"	0.060				

ECO NO.	DATE	REV.	REVISION RECORD	AUTH.	DR. BY