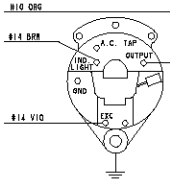
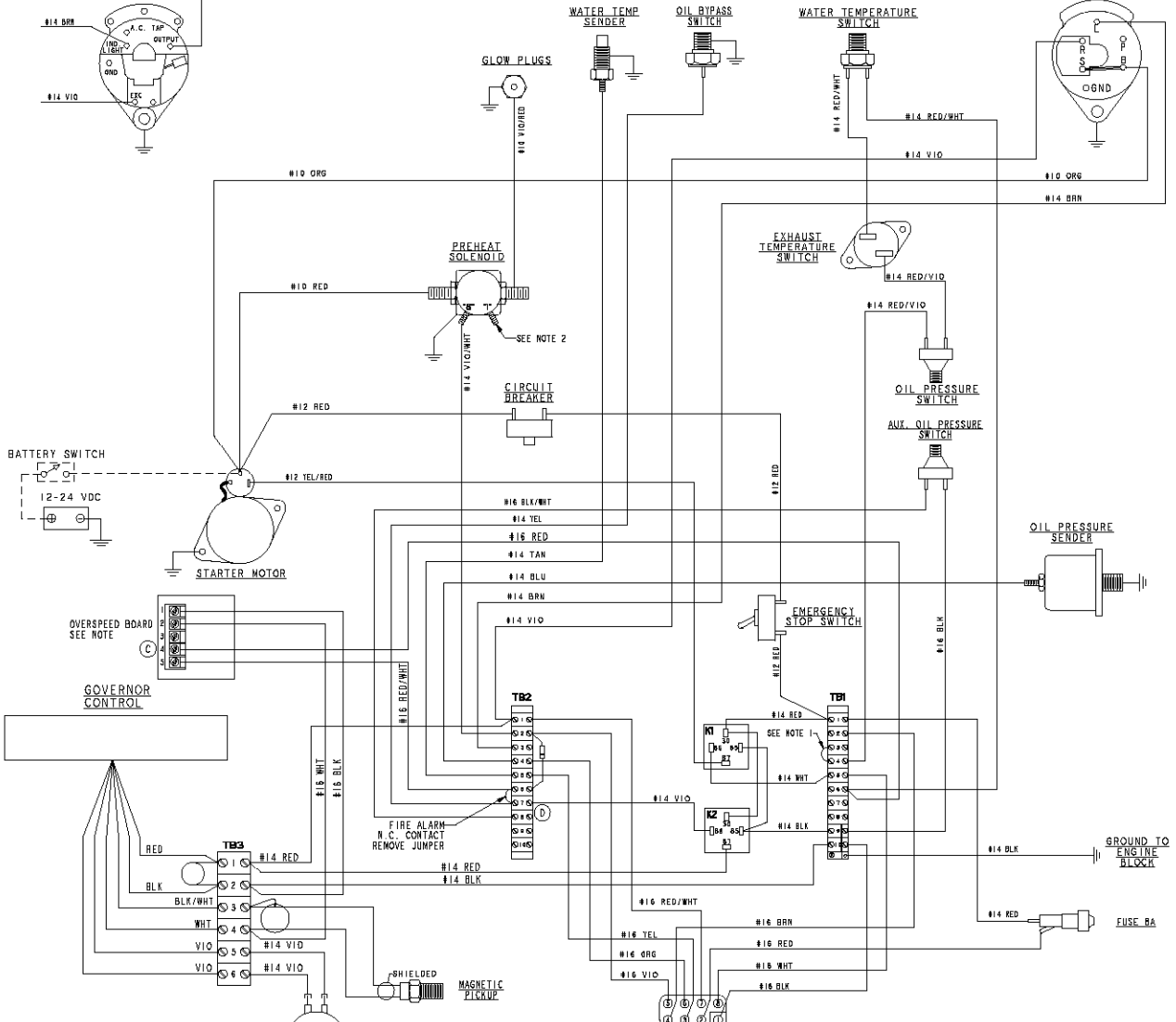
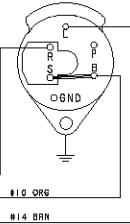


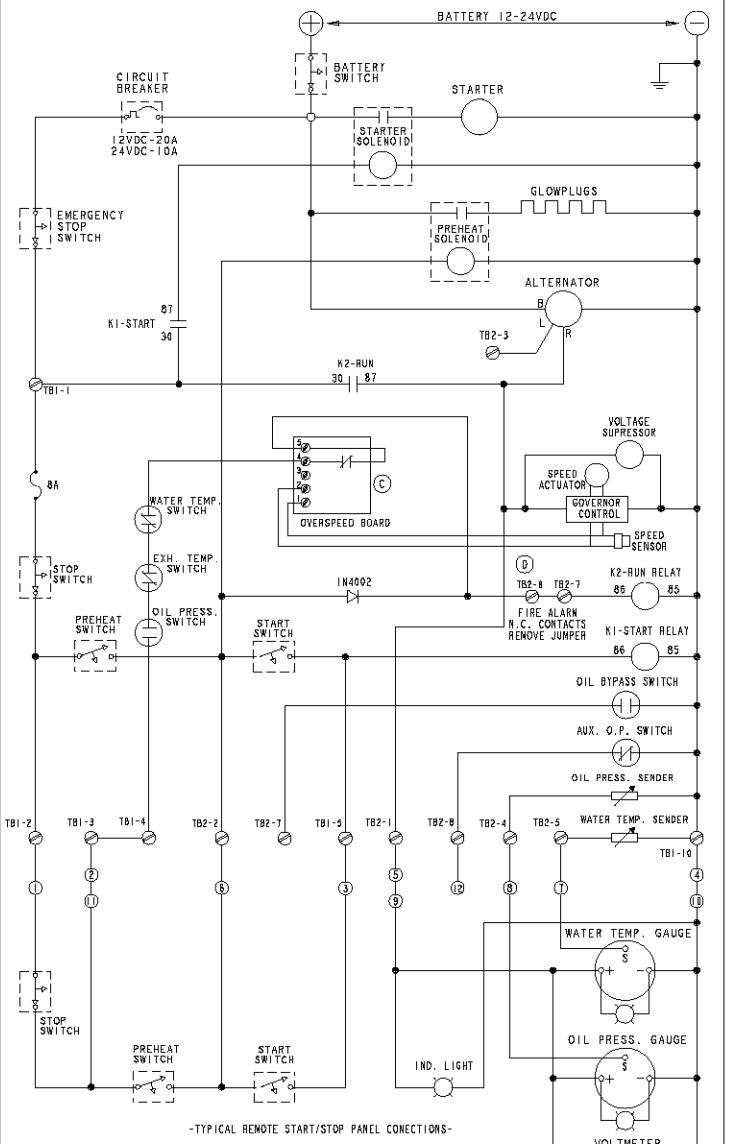
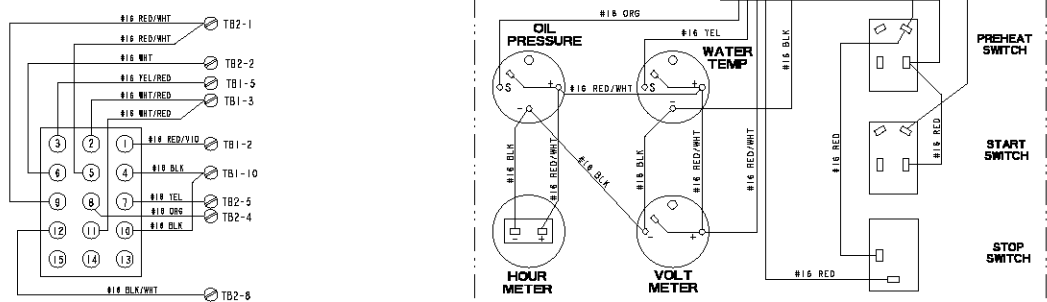
ALTERNATOR, 24VDC 42A



ALTERNATOR, 12V 51A



NOTE:
 1. REMOVE JUMPER WHEN CONNECTING A SECOND REMOTE PANEL.
 2. GROUND "1" TERMINAL OF PREHEAT SOLENOID ON 24V SYSTEM ONLY.



NOTE:
 REMOTE CONNECTOR PINS
 JUMPER SETTING:
 J1 OPEN - 50HZ
 J2 CLOSE - 60HZ
 J3 OPEN - 5-15KW
 J4 CLOSE - 20-95KW

DOC NO.	DATE	REV	REVISION RECORD	AUTH.	DR.
4670	5/4	2500	A	JCA	JCA
4823	2/28	2601	B	JCA	JCA
5767	6/22	2604	C	GA	GA
5861	1/10	2608	D	GA	GA

TOLERANCES		WATERMARK		WESTERBEKE CORPORATION	
FINISHED	±0.001	INCHES	MILLIMETERS	AVON, MA. 02322	45-0-85-0 BED GENERATOR
DRAWING	±0.001	1:1	1:1	DATE	
ISSUED BY	JCA	DRAWING NO.	44780	REV.	D