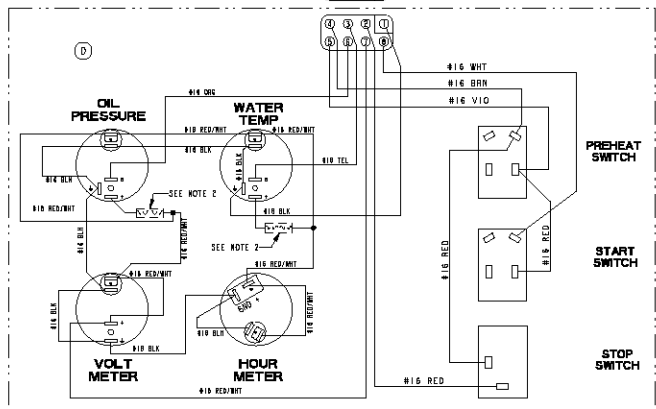
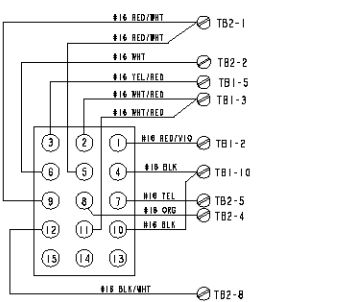


-TYPICAL REMOTE START/STOP PANEL CONNECTIONS-

NOTE:
 1. REMOTE CONNECTOR PINS
 2. FOR 24 VOLT SYSTEM, USE 1500Ω RESISTOR AS SHOWN.

NOTE:
 1. REMOVE JUMPER WHEN CONNECTING A SECOND REMOTE PANEL.



INSTRUMENT PANEL

TOLERANCES		UNLESS OTHERWISE NOTED		DIMENSIONS		UNLESS OTHERWISE NOTED	
FRACTIONS	DIMENSIONS	FRACTIONS	DIMENSIONS	FRACTIONS	DIMENSIONS	FRACTIONS	DIMENSIONS
0.061	0.0005	E	ADDED JUMPER BETWEEN TB2-8; 1500Ω WAS CONNECTED TO TB2-8	GA	0.0005	0.0005	0.0005
0.121	0.0010	D	COILS CHANGED, WIRETRAC INSTRUMENT PANEL CORRECTED SCHEMATIC	JRS	0.0010	0.0010	0.0010
0.002	0.0001	C	ADDED CURRENT TIMER	TSM	0.0001	0.0001	0.0001
0.777	0.0001	B	UPDATE WIRING FOR GROUND SOLENOID	JH	0.0001	0.0001	0.0001
0.723	0.0001	A	DRWG TITLE WAS INCORRECT	TSM	0.0001	0.0001	0.0001
0.000	0.0000				0.0000	0.0000	0.0000