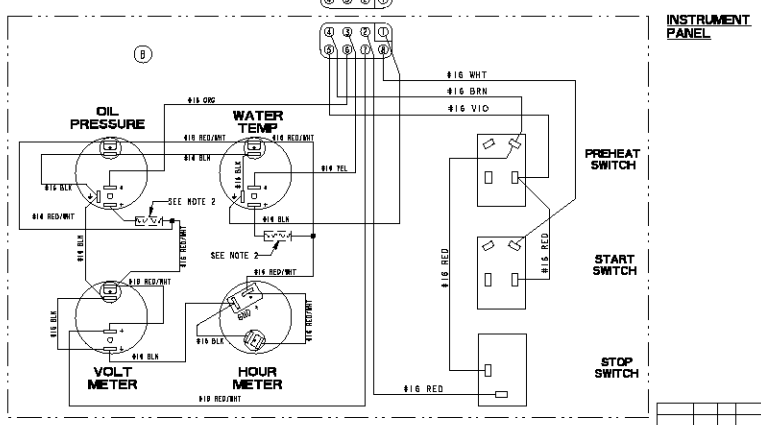
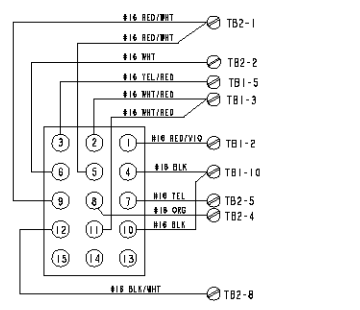


-TYPICAL REMOTE START/STOP PANEL CONNECTIONS-

- NOTE:
1. REMOTE CONNECTOR PINS
  2. FOR 24 VOLT SYSTEM, USE 150Ω RESISTOR AS SHOWN.
  3. JUMPER SETTING: J1 OPEN-50HZ  
J1 CLOSE-60HZ  
J2 OPEN-5-15W  
J2 CLOSE-20-95KW

NOTE:  
1. REMOVE JUMPER WHEN CONNECTING A SECOND REMOTE PANEL.



DRAWING		TOLERANCES		UNLESS OTHERWISE NOTED		WESTERBEKE CORPORATION	
NO.	REV.	INCHES	MILLIMETERS	DATE	BY	TITLE	AVON, MA. 02322
5061	11-2	D			GA	WIRING DIAGRAM/SCHEMATIC, 8.0 B70A - 15 BTDC	
5707	4-1	C			GA	UNGUARDED - SRC W/ ELECTRONIC GOVERNING	
5121	01	D			JRS		
4777	REV. A				JH		
ED. NO.	DATE	REV.	REVISION RECORD	AUTH.	DR. BY		