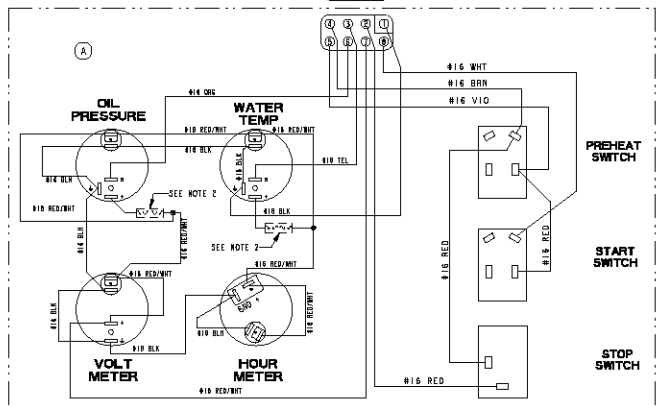
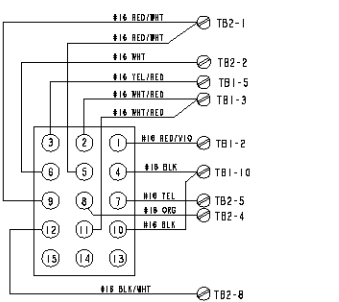


-TYPICAL REMOTE START/STOP PANEL CONNECTIONS-

- NOTE:
 ①. REMOTE CONNECTOR PINS
 ②. FOR 24 VOLT SYSTEM, USE 150Ω RESISTOR AS SHOWN.

NOTE:
 1. REMOVE JUMPER WHEN CONNECTING A SECOND REMOTE PANEL.



INSTRUMENT PANEL