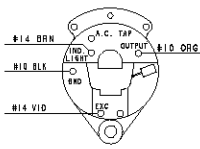
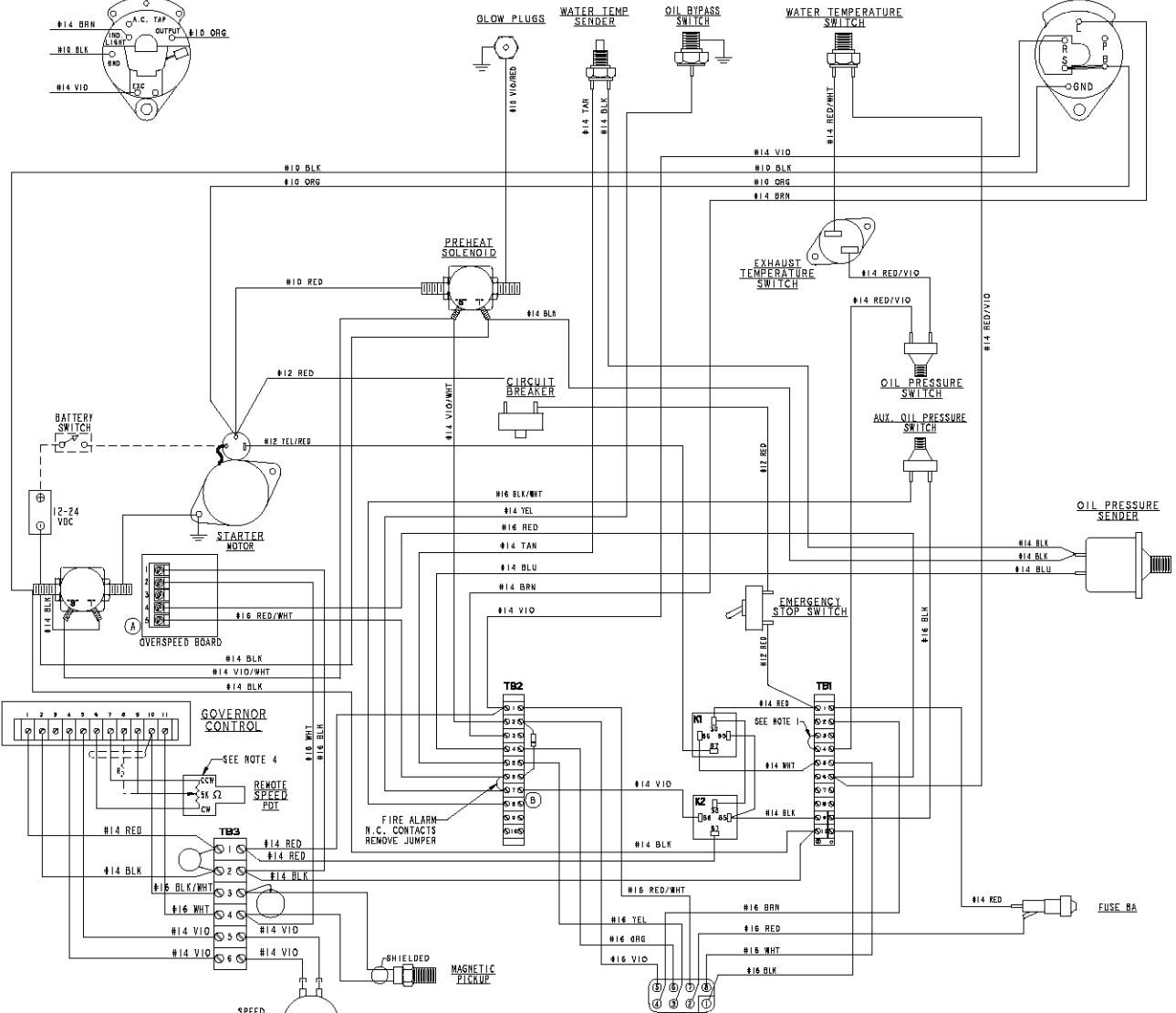
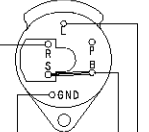


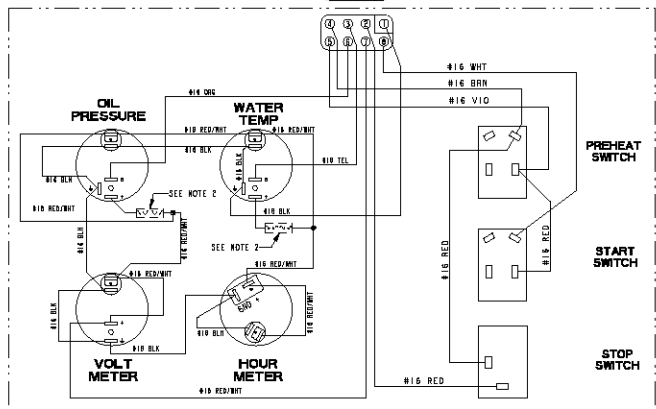
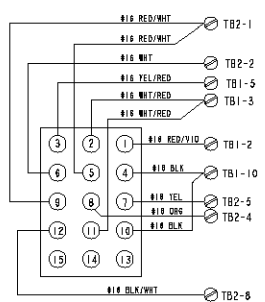
ALTERNATOR, 24V 42A



ALTERNATOR, 12V 51A

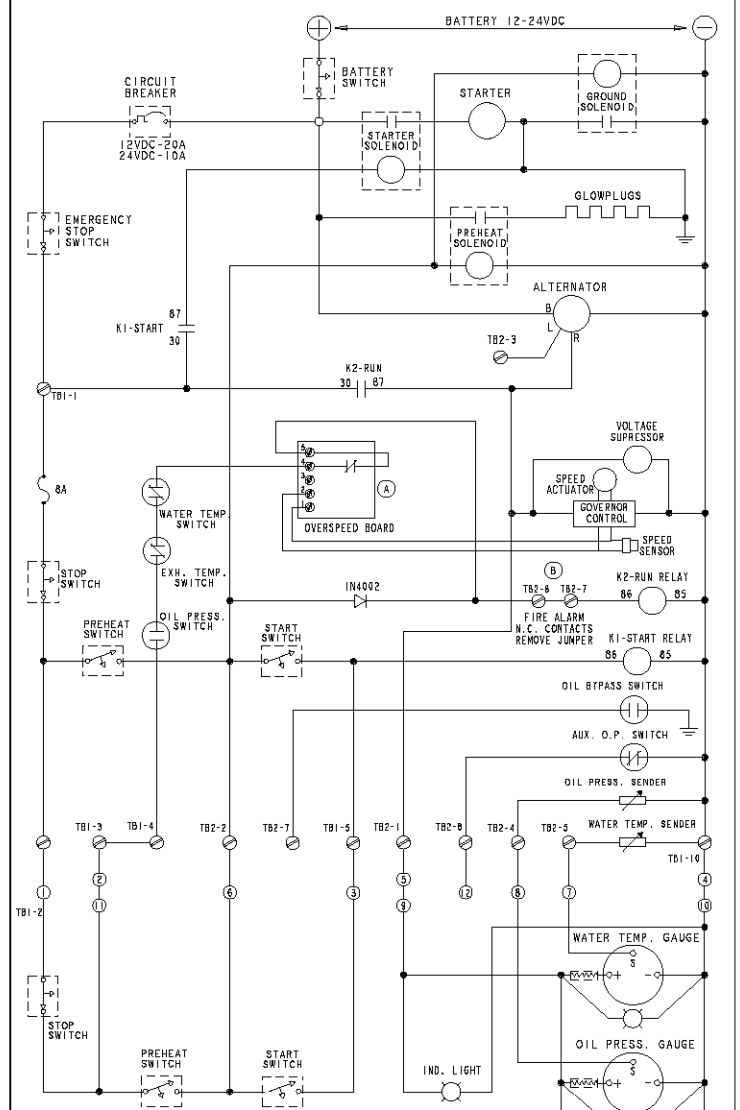


NOTE:
1. REMOVE JUMPER WHEN CONNECTING A SECOND REMOTE PANEL.



INSTRUMENT PANEL

DOC NO.	DATE	REV	REVISION RECORD	AUTH.	DR. BY
5683	7-29	A	ADD OVERSPEED BOARD		GA
5561	11-2	B	ADD JUMPER BETWEEN TB2-6 & TB2-8		GA
	04	D	R2-66 WAS CONNECTED TO TB2-6.		



-TYPICAL REMOTE START/STOP PANEL CONNECTIONS-

NOTE:
1. REMOTE CONNECTOR PINS
2. FOR 24 VOLT SYSTEM, USE 150K RESISTOR AS SHOWN.

TOLERANCES		WESTERBEKE CORPORATION	
UNLESS OTHERWISE NOTED		AVON, MA. 02322	
FINISHED	FRACTIONAL DECIMALS	STANDARD	BY WIRING DIAGRAM/SCHEMATIC
UNFINISHED	DECIMALS	45.0-85.0	BED - UNGND / PARALLEL
DI NEEDS TO BE APPROVED BY	DATE	DESIGNED BY	DATE
APPROVED BY	DATE	APPROVED BY	DATE
DATE	SIZE	QUANTITY	REV.
1	E	48910	B